



HIVE

Table 1	Output kW (240V)	Room	Elements kW (240V)	Amps A	Circuit Breaker A	Wire size AWG
HIVE 6	6	176.6-282 ft ₃ 5-8 m ₃	2	25	30	10
HIVE 9	9	317.8-530 ft ₃ 9-15 m ₃	3	37,5	50	8
HIVE 10.5	10.5	353.1-706.3 ft ₃ 10-20 m ₃	3	43,75	50	8

Table 1	Output kW (240V)	Room	Elements kW (240V)	Amps A	Circuit Breaker A	Wire size AWG
HIVE 12	12	424-883 ft ³ 12-25 m ³	2	50	30+30	10 + 10
HIVE 15	15	530-1060 ft ³ 15-30 m ³	2/3	62,5	50+50	8 + 8
HIVE 18	18	636-1236 ft ³ 18-35 m ³	3	75	50+50	8 + 8

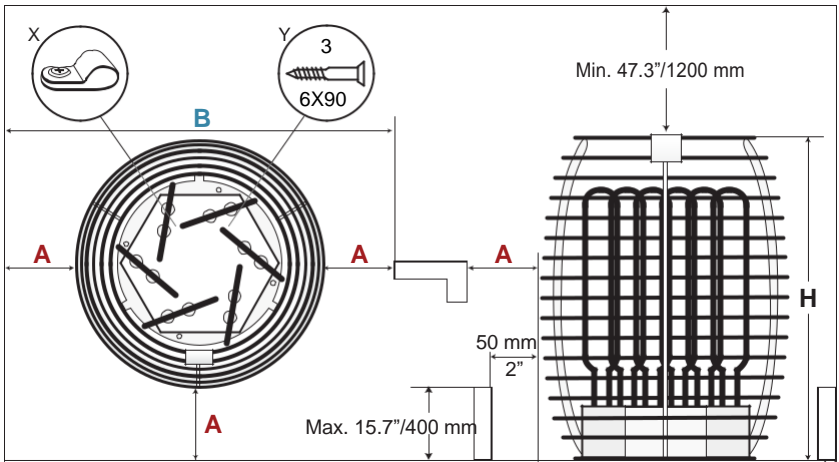


Table 2	Ø	H	A	B	Weight	Quantity of stones*
HIVE 6	18.11 in 460 mm	29.53 in 750 mm	2.37 in 60 mm	22.83 in 580 mm	30.9 lb 14 kg	10 x 33 lb 10 x 15 kg
HIVE 9	18.11 in 460 mm	29.53 in 750 mm	3.55 in 90 mm	25.2 in 640 mm	35.3 lb 16 kg	10 x 33 lb 10 x 15 kg
HIVE 10.5	18.11 in 460 mm	29.53 in 750 mm	4.33 in 110 mm	26.8 in 680 mm	35.3 lb 16 kg	10 x 33 lb 10 x 15 kg
HIVE 12	22.05 in 560 mm	29.53 in 750 mm	4.73 in 120 mm	31.5 in 800 mm	44.1 lb 20 kg	17 x 15 lb 17 x 15 kg
HIVE 15	22.05 in 560 mm	29.53 in 750 mm	5.9 in 150 mm	33.86 in 860 mm	46.3 lb 21 kg	17 x 15 lb 17 x 15 kg
HIVE 18	22.05 in 560 mm	29.53 in 750 mm	7.1 in 180 mm	36.22 in 920 mm	48.5 lb 22 kg	17 x 15 lb 17 x 15 kg

* Subtract 66 lb (30 kg) stones from the quantity given in the table in case your heater has air-tunnel, as it fits less stones.

HUUM

 **OF SAUNA**



#huumsauna



www.huumsauna.com