

STEAMIST®

3199 Steamhead Installation Instructions

Model: 3199R

NOTE: The steam head has been designed with a 360 degree dispersion of steam to improve circulation and to minimize the hotspots created with the traditional steam heads. For maximum comfort the steam head should always be located as far from the seating area as possible. Should the location of the steam head necessitate blocking the steam from a particular direction to improve bather comfort, the supplied deflector plate can be added to any of the three sides shown to help divert the steam away from the bather. The deflector is attached to the back side of the head before installation with 2 stainless steel screws provided.

Rough in the steam line using a minimum of a 3/4" copper or brass pipe; do NOT use black iron or galvanized pipe, it will rust and discolor the wall of the steam bath. Do NOT use any plastic type pipe or fittings. The steamhead location should be 12" to 18" above the shower floor or 6" above the rim of the bathtub, as far from the seating area as possible. Also, do NOT use plastic type water lines as a steam line.

1. Make sure the 3/4" nipple protrudes beyond the tile 1/4" to 1/2".

IMPORTANT: If the nipple protrudes beyond 1/2" the O-ring will not make a proper seal and the nipple will have to be adjusted.

2. Wrap the threads of the nipple with pipe sealant tape.

3. Make sure the head will line up in the upright position when tightened. The head should only be firmly hand tight. Using a wrench on the head may damage it. Screw the head on to the nipple and see how it lines up. Once a proper alignment is made remove the head.

NOTE: If necessary the head can be repositioned by disassembling the hub from the cover and selecting one of the two alternate positions as shown in figure 1.

4. Re-apply sealant tape if necessary.

5. Place a bead of silicone around the pipe, sealing the pipe to the wall.

6. Place a bead of silicone around the back outer edge of the back plate.

7. Center and square the back plate over the nipple. While holding it in place screw the head on to the nipple hand tight.

8. Adjust the back plate and head to line up squarely. Remove any excess silicone with rubbing alcohol.

Figure 1

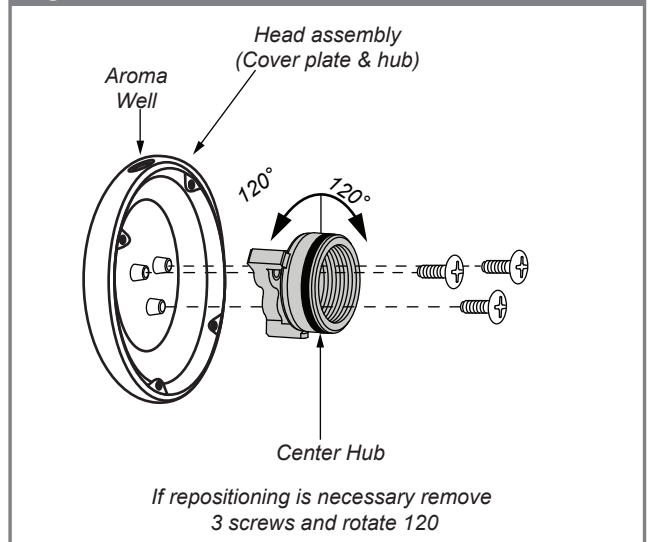


Figure 2

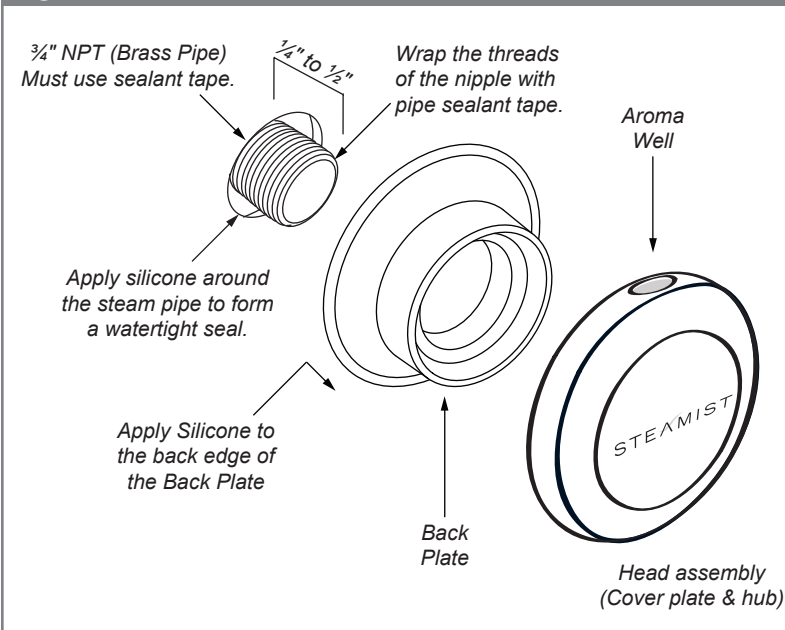


Figure 3 - Optional Deflector

