

### Features

- Provides connection to the KOHLER® Cloud via Wi-Fi.
- Enables use of the KOHLER Konnect® app to control the DTV+ showering system.
- Enables use of voice commands to operate DTV+; compatible with Amazon Alexa or Google Home.
- Can be used with new DTV+ system installations or easily added to existing DTV+ systems (may require additional upgrades; refer to installation guide for more details).

### Material

- Premium material construction for durability and reliability.

### Installation

- KOHLER Konnect® module setup completed via downloadable app.
- Requires local Wi-Fi Internet connection.
- Surface-mount with hook and loop fastener (included).

### Required Products/Accessories

K-99693-P Digital interface  
K-99695 System Controller Module

or

K-99693-P Digital interface  
K-99695-E Eco-system controller module

### Included Components

Additional Components:

67" RJ45 Ethernet cable  
Hook and loop fastener

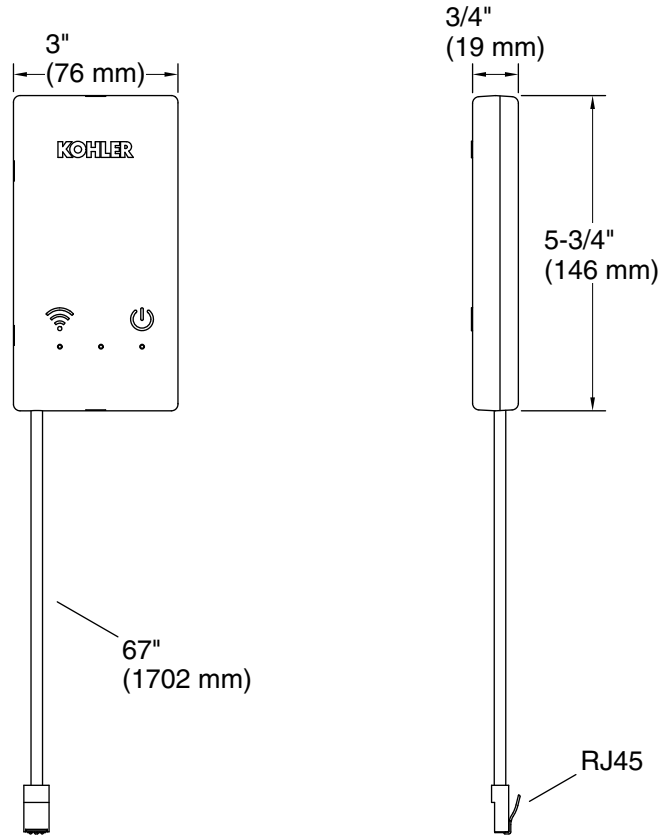


### Codes/Standards

None Applicable

### KOHLER® Electronic Faucets, Valves, and Controls Five-Year Limited Warranty

See website for detailed warranty information.



### Technical Information

All product dimensions are nominal.

Drain included: No  
Max. Ambient temp: 104°F (40°C)  
Max. Relative humidity non-condensing: 95%

### Notes

Install this product according to the installation instructions.

**CAUTION:** Risk of product damage. Do not install near heat sources (such as radiators or heat registers) or in any location where the temperature may exceed 104°F (40°C).

This product is not water-resistant. Do not install in a location where excessive moisture, high humidity levels, or condensation are present.

Hardwired internet connection to the DTV+ System Controller required for system updates. Install the module to a wall or stud frame within 5' (1.5 m) of the controller and in a location that will not block a Wi-Fi signal.