

## Wood burning heater Harvia Pro 20 RS black

WK200RS

The Harvia 20 RS Pro stove is a popular choice for cottage saunas thanks to its practicality. The right side of the stove features a fixed and easy-to-use 30-litre water tank that heats up the water while the stove is being heated for bathing.



### Features

Main material : Steel

H x W x D : 760.0 x 580.0 x 510.0 mm

Net weight (kg) : 65.2

Stone amount (kg) : 40.0

ID	GTIN	Power	Sauna room size min - max m3
WK200RS	6417659017824	24.1 kW	8.0-20.0

### Related products



WL100

## Spare parts

Product	ID	Pcs
Furnace grate	ZKIP-10	1
Connection pipe	ZKIP-130	1
Ashpan RST Pro	ZKIP-721	1
Seal for water faucet	ZES-260	1
Hinge pin	ZKIP-50	1
Frame with parts for WK200	ZROST-300	1
Handle for stove + screws	ZKIP-670	1
	ZES-250	1

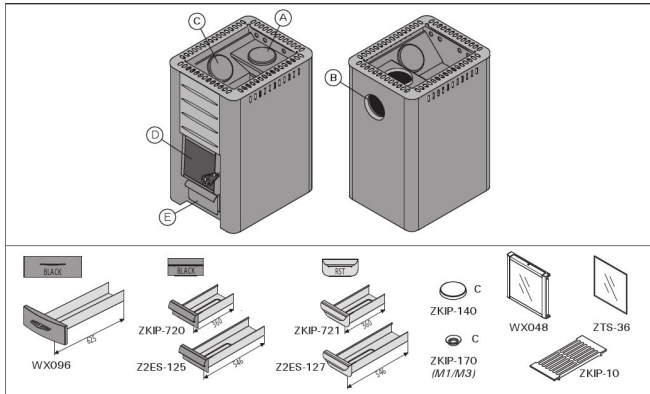
## Technical details

Technical data	Type / attribute	WK200RS
	Color	Black
	Power output	24.1 kW
	Stone sizes	10-15 cm
	Stone amount (kg)	40
Dimensions	Product width (mm)	580
	Product height (mm)	760
	Product depth (mm)	510
	Net weight (kg)	65.2
	Gross weight	67.3
	Package width	745
	Package height	800
	Package depth	515
Connections	Flue connection locations	Back, Top
	Chimney connection diameter	115
Safety and installation dimensions	Safety distance front (non-combustible materials)	300
	Safety distance front (combustible materials)	300
	Safety distance right side (combustible materials)	300
	Safety distance right side non-combustible materials	100
	Safety distance left side (combustible materials)	300
	Safety distance left side non-combustible materials	100
	Safety distance behind (non-combustible materials)	100
	Safety distance behind (combustible materials)	300
	Safety distance (Ceiling) (depends on connections and therefore from output, star/delta)	1300
Room min. height (depends on connections and therefore from output, star/delta)	2060	

Technical images

1.1. Stove Parts

- A. Upper connection opening
- B. Rear connection opening
- C. Soot opening
- D. Stove door
- E. Ash box



Stove parts. Note! Only use replacement parts recommended by the manufacturer. Unauthorised modification of the stove is prohibited.

	A min.	B min.	C min.	D min.
M1, M2, M3-SL, Classic 140	1200	250	300	300
20 Pro, 20 SL Duo, 20 ES Pro, 20 SL Duo, 20 SL Boiler, Premium VS, Classic 220 Duo, 20 RS/LS Pro	1300	300	300	300
26 Pro, Classic 280	1280	375	375	375
36, 36 Duo	1250	500	500	500
Linear 16, 16	1300	300	350	400
Linear 22, 22 S, Linear 22 RS/LS/ES, 22 RS/LS/ES	1265	400	380	500
Linear 28	1380	400	400	500

Safety distances (all dimensions in millimeters)

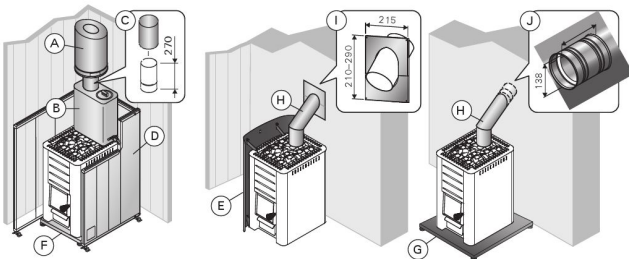
WX017	B min.
M1, M2, M3-SL, 20 Pro, 20 SL Duo, 20 ES Pro-S, 20 Boiler, 20 SL Boiler, Premium, Classic 140-SL, Classic 220 Duo	300
26 Pro, Classic 280	375
Linear 16, 16	300
Linear 22/28, Linear 22 ES, 22 ES S, 22 S	400

WL400/WL450	M1, M2, M3-SL	B min.	C min.	D min.	F
20 Pro-SL Duo	50	50	300	30	
WL500/WL550	20 Pro-SL Duo	62	62	422	30
20 Boiler, 20 SL Boiler					
WL600/WL650	20 ES Pro-S	73	73	526	30
WL700/WL750	26 Pro	90	90	700	30
WL800/WL850	36, 36 Duo	62	62	422	30
WL500/WL590	20 RS/LS Pro	30	30	400	32
WL425/WL475	Linear 16, 16				
WL525/WL575	Linear 22, 22 S				
WL525/WL585	Linear 22 RS/LS, 22 RS/LS S	70	70	500	40
WL530/WL580	Linear 22 ES, 22 ES S				
WL725/WL775	Linear 28				

Safety distances with protective sheaths (all dimensions in millimeters)

3.4. Accessories

- A. Harvia steel chimney WHP1500.
- B. Water heater VL221. Installed on the top of the upper connection opening. When a protective sheath or other protection is used that is not large enough to protect the inflammable materials around the stove from the heat radiation of the pipe between the water heater and smoke flue, you must install a radiation cover around the pipe.
- C. Radiation cover WZ020130. Installed around the smoke pipe.
- D. Harvia protective sheath WX017.
- E. Harvia protective sheath WL400-WL775.
- F. Harvia protective bedding WX018, WL100. (not for models 20 RS/LS Pro, 36, 36 Duo, Premium VS, Linear 22 RS/LS, 22 RS/LS S).
- G. Harvia protective bedding WL110 (not for models 20 ES Pro/S, Linear 22 ES, 22 ES S).
- H. Angle smoke pipe. Different models.
- I. Lead-through flange for smoke pipe WZ020115. Covers the edges of the flue opening and the sealing in the wall. Made of stainless steel. Consists of two parts to make it useable with differently inclined smoke pipes.
- J. Masonry connector WZ011115. Connected to the flue opening, does not require other seals. The inner side already has a seal.



Accessories (all dimensions in millimeters)