

Generator Pan and Auto Drain Model: GPAD-240 and GPAD-208

## Specifications – GPAD-240 and GPAD-208

**Product Information:**

**GPAD-240** includes: GENPAN and AD-240  
To be used with 240Volt steam generators

**GPAD-208** includes: GENPAN and AD-208  
To be used with 240Volt steam generators

**Application Information:**

For use with only the following model steam generators:

TSG-7, TSG-10, TSG-12, and TSG-15.

SMP-5, SMP-7, SMP-10, SMP-12 and SMP-15.

Generator Pan (only) Model: GENPAN

## Specifications – GENPAN

**Product Information:**

Material: High-temp impact-resistant resin.

Includes: Pan with 3/4" MGHT male threaded NPT and 1/2" NPT Female brass connection.

Dimensions: 11"W x 24"L x 2"H

**Product No. - Description:**

**GENPAN** - To be used with residential steam generator models listed above.

Auto Drain (only) Model: AD-240 and AD-208

## Specifications – AD-240 and AD-208

**Electrical Information:** Connects to a factory installed Auto Drain PCB terminal block, located inside the Generator cabinet.

**Product Information:** Normally Closed (N/C).

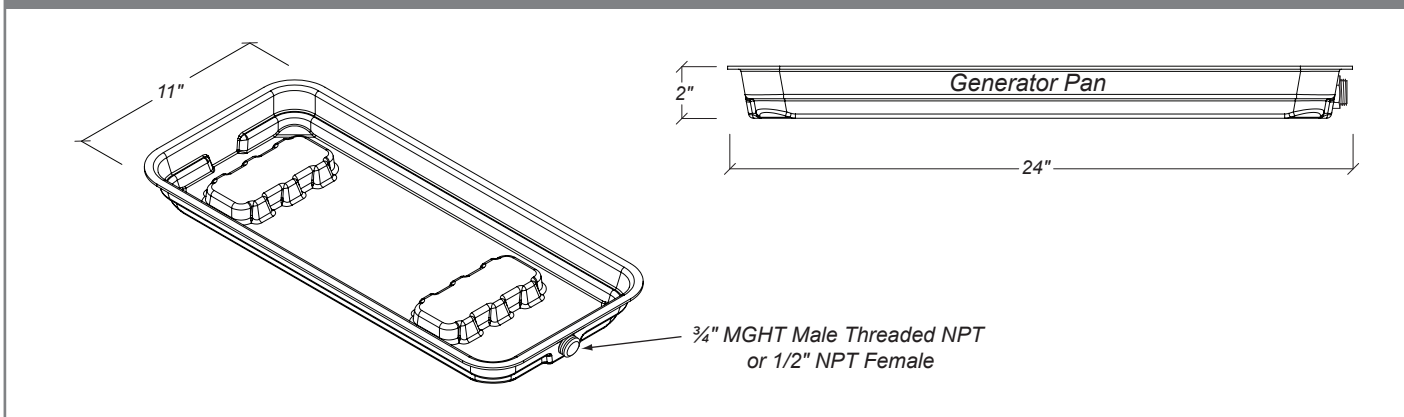
Inlet & Outlet - 1/2" NPT Brass female thread.

**Product No. - Description:**

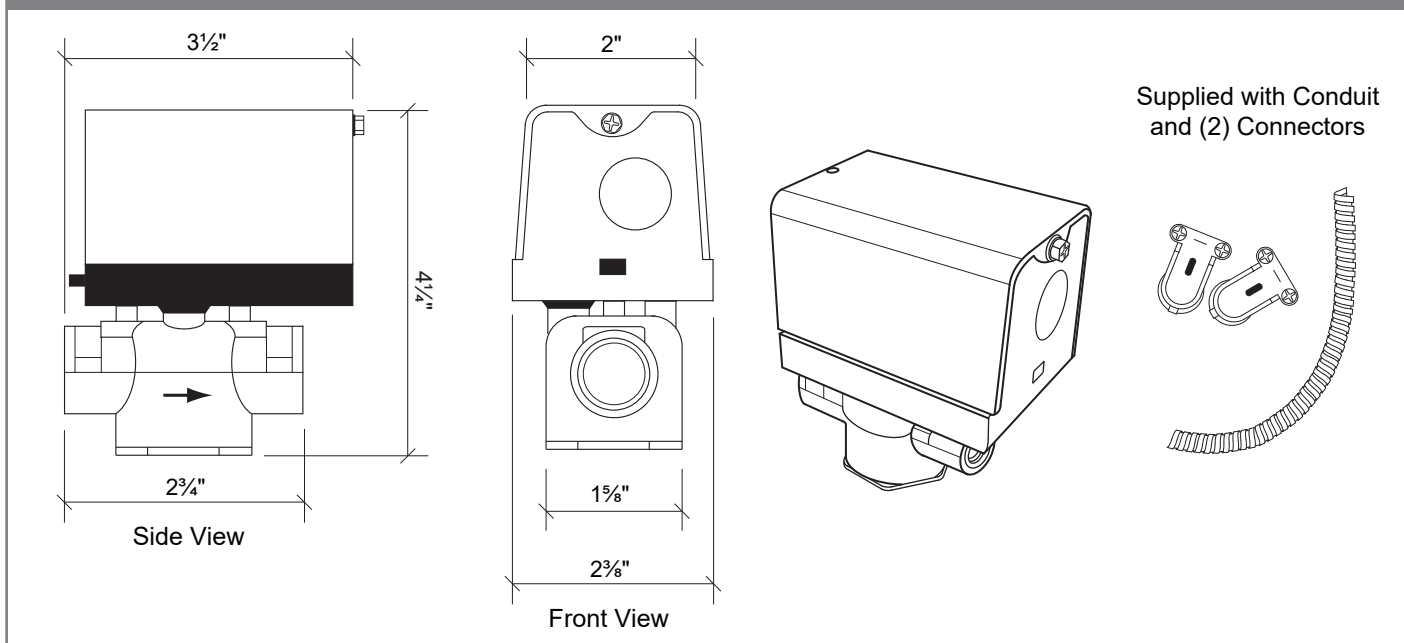
**AD-240** - To be used with 240Volt steam generators

**AD-208** - To be used with 208Volt steam generators

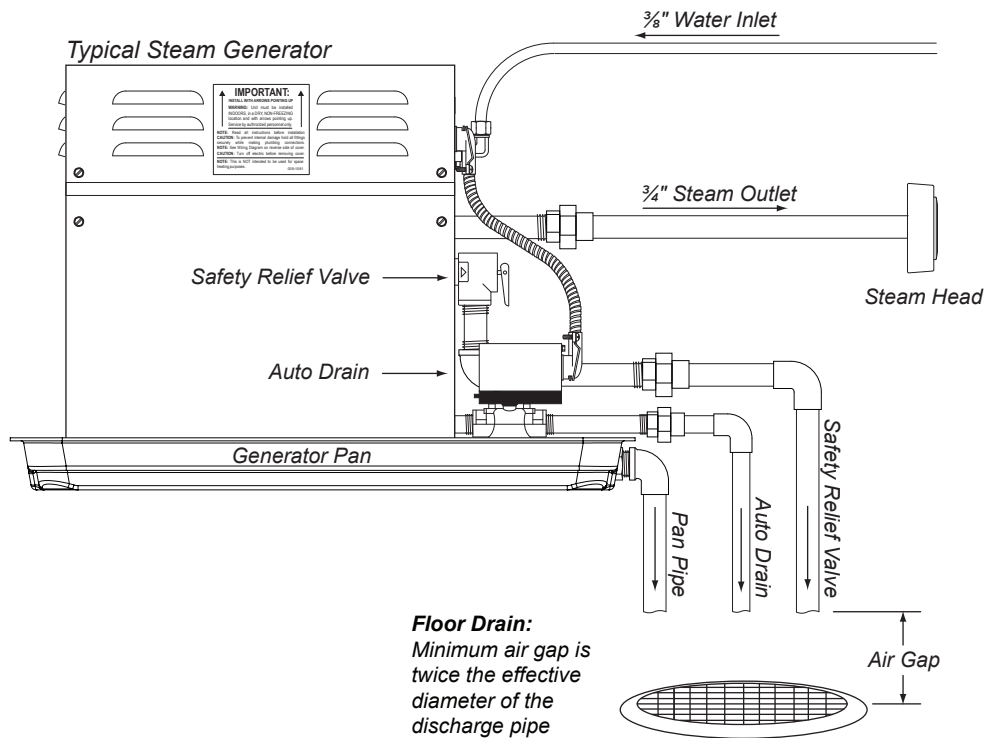
Generator Pan Dimensions Model: GENPAN



Auto Drain Dimensions Model: AD-240 and AD-208



## Typical Installation

**Installation Notes:**

*Auto Drain valve should be installed with arrow on cover pointing away from Generator. Pipe the Auto Drain outlet to empty into indirect waste or as local codes apply. Outlet must have a minimum air gap of twice the diameter of the Auto Drain pipe.*

*Generator Pan outlet to empty into indirect waste or as local codes apply.*

*Do NOT drain the Auto Drain valve directly into the Generator Pan.*

*Do NOT connect both drain pipes together, both outlets must be kept separately from each other.*