

# STEAMIST®

Generator Pan

Model: GENPAN-XL

## Specifications – GENPAN-XL

### Product Information:

Material: Galvanized

Includes: Pan with 3/4" MGHT male threaded NPT and 1/2" NPT Female brass connection.

Dimensions: 14"W x 24"L x 2"H

### Product No. - Description:

**GENPAN-XL** - To be used with residential steam generator models listed above.

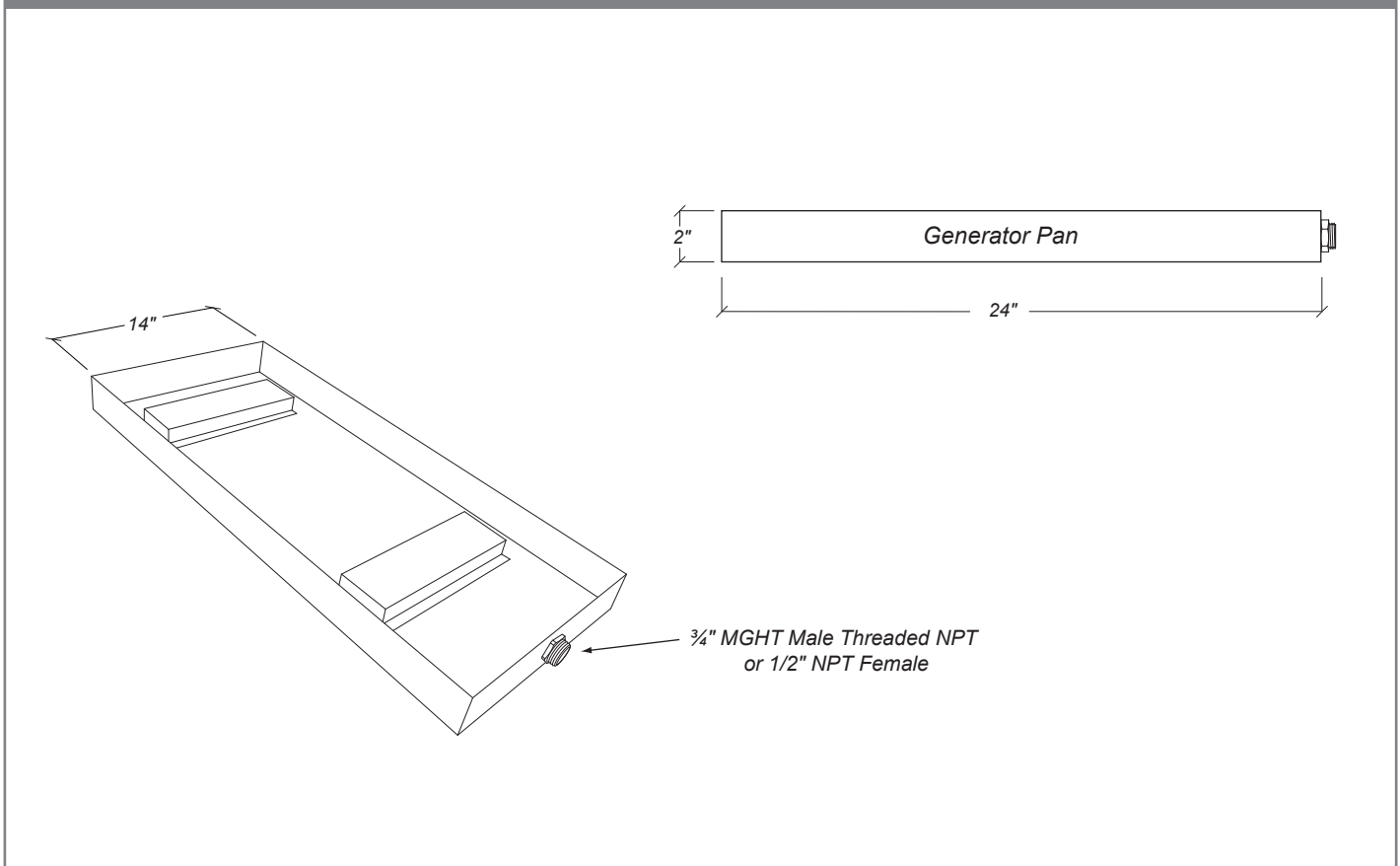
### Application Information:

Designed for use with the following model steam generators:

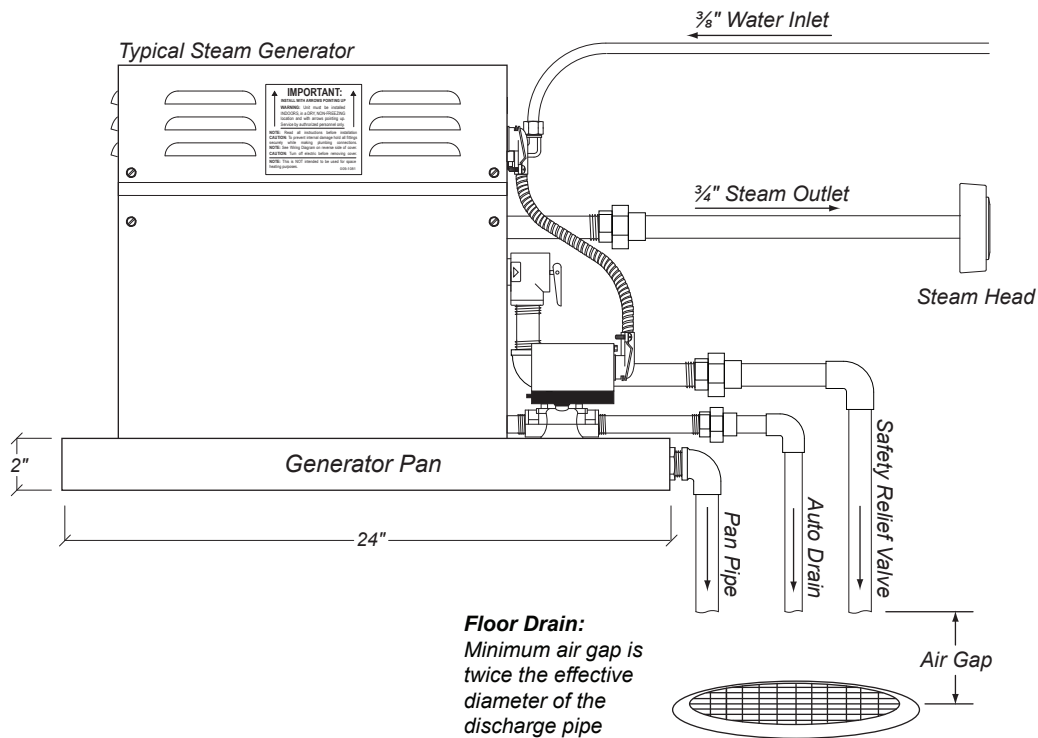
TSG-20, TSG-24 and TSG-30.

SMP-20, SMP-24 and SMP-30.

## Generator Pan Dimensions



## Typical Installation

**Installation Notes:**

Auto Drain valve should be installed with arrow on cover pointing away from Generator. Pipe the Auto Drain outlet to empty into indirect waste or as local codes apply. Outlet must have a minimum air gap of twice the diameter of the Auto Drain pipe.

Generator Pan outlet to empty into indirect waste or as local codes apply.

Do NOT drain the Auto Drain valve directly into the Generator Pan.

Do NOT connect drain pipes together, all outlets must be kept separately from each other.