

STEAMIST®

Bilateral Steamhead

Model: BLSH

Product Information – BLSH

Material: Stainless Steel body with solid Brass Front Face Cover, available in designer Finishes

Product No. - Finishes:

BLSH-PC - Polished Chrome

BLSH-PN - Polished Nickel

BLSH-BN - Brushed Nickel

BLSH-PG - Polished Gold

BLSH-ORB - Oil Rubbed Bronze

BLSH-BB - Brushed Bronze

Notes

Installation Notes

Steamline - $\frac{3}{4}$ " Copper or Brass NPT male thread.

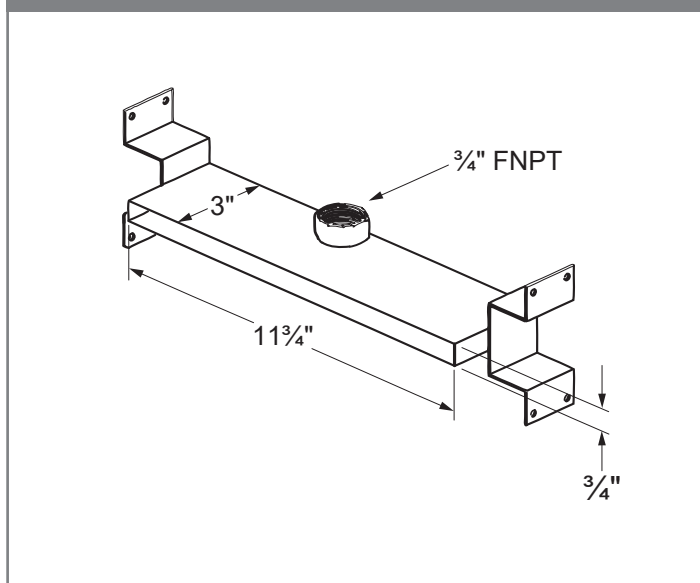
Rough-in Notes

Steamhead may be mounted with threaded connection at top or it may be flipped, to allow for bottom connection with steam pipe.

Steamhead to be mounted 12" to 18" above the finished floor.

Steamhead is to be installed between wooden studs, which must be spaced 16" C-C.

BLSH Steamhead front view without front face cover



BLSH Steamhead front view with front face cover

