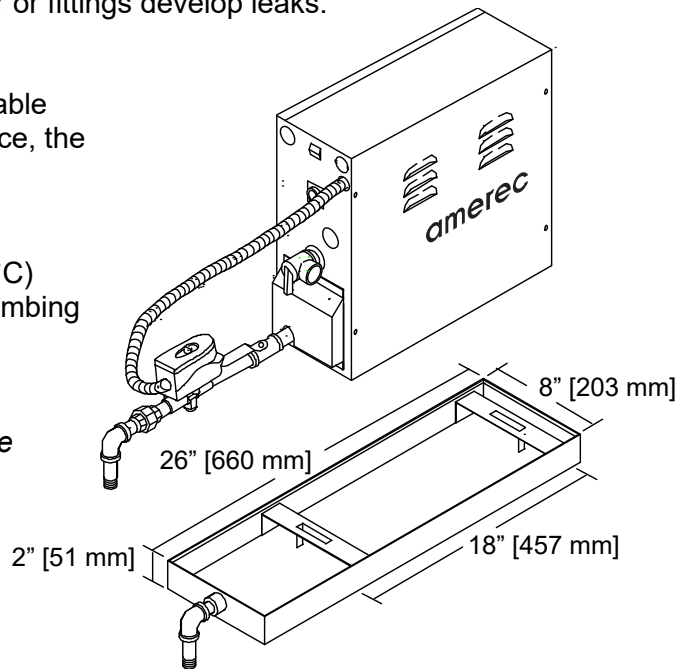


When properly installed and connected to an approved drain line, the Steam Generator Drip Pan will reduce the risk of water damage should your steamer or fittings develop leaks.

Place the Drip Pan on a flat surface in a location suitable for the steam generator. For best steamer performance, the pan should be level side to side and end to end.

Connect piping suitable for water at over 210°F (100°C) to the pan's 3/4" female NPT outlet and run it to a plumbing system drain line.

The pan's drain outlet must be installed per local code requirements.

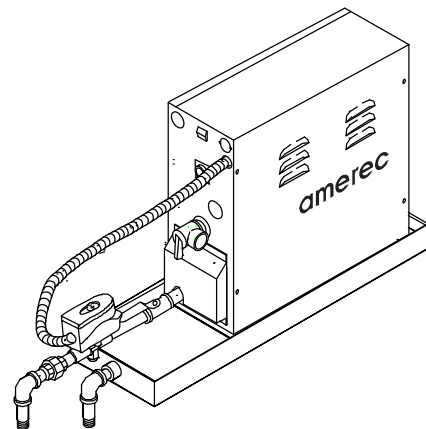


DO NOT drain the drip pan into the steam bath.

DO NOT drain water from the generator drain valve directly into drip pan!

Set the steam generator on the supporting bracket inside the drip pan.

Install the steamer according to the steamer installation instructions. Shims may be used to secure the steam generator to the wall, if desired.



DO NOT connect the steamer and drip pan drains together!

NOTE: *Earlier Amerec steamers may have their drain at the center of the steamer so look different than the steamers shown here. They also fit the drip pan and are installed in the same manner as described above.*