

BATHOLOGY

rediscover bathing



Spectrum 310

Steam Room / In-Shower Light

Installation and Operating Manual

Spectrum 310 is a high-quality recessed downlight designed for residential bathing. Its low-voltage operation and U.L. wet location listing make it an ideal luminaire for steam room environments. Blending with most any décor, the Spectrum 310 utilizes an all-glass frosted trim and a unique torsion spring mounting mechanism for its superior, water resistant seal. The Spectrum 310 will complement most any bathing environment and should be considered for new construction or remodeling projects where insulation may be set back a minimum of 3" from the housing, the maximum ceiling thickness does not exceed 1-1/4" and there exists 6" of installation height.

Specifications

Fixture Type: Recessed Ceiling Downlight, Halogen
Dimming: With Low Voltage Magnetic Type Dimmer
Insulation Contact: Non-IC Rated
Minimum Installation Height: 6"
Maximum Ceiling Thickness: 1-1/4"
Rough-In Cut-Out: 4-3/8"
Housing Length: 10-1/2"
Housing Width: 4-3/4"
Housing Height: 5-1/4"
Transformer: 120VAC to 12VAC 50VA, Thermally Protected, Magnetic
Testing: U.L. Listed, Suitable for Wet Locations
Trim: Etched Frosted Tempered Glass with Clear Center
Trim Profile: 5/8"
Trim Diameter: 5-1/2"
Lens: Clear Tempered Glass
Lamp: 50 Watt 12VAC MR16, GU5.3 Base, Halogen
Lamp Current: 4.25 Amps
Lamp Life: 3000 Hours
Lamp Socket: Bi-pin with Ceramic Insulator and Aluminum Heat Shield
Color Temperature: 3000K
Color Rendering Index: 100 Ra8
Beam Angle: 36°
Lumen: 850

Package Includes

- (1) Housing, 4" Thermally protected 22 gauge galvanized steel with integral transformer, 10-1/2"L x 4-3/4"W x 5-1/4"H
- (1) Trim, Frosted glass with clear glass lens, 5-1/2" diameter, 5/8" profile
- (1) Lamp, 50 Watt, 12VAC, MR16, GU5.3 Base, clear flood halogen
- (1) RTV silicone sealant, 1 ounce tube
- (1) 16" Mounting Template
- (1) Installation template
- Installation and operation manual

Installation Considerations

- **Warning:** For your safety read and understand instructions completely before starting. Before wiring to power supply, turn off electricity at the fuse or circuit breaker box.
- **Note:** Spectrum 310 is a recessed fixture designed to meet the latest NEC requirements and are listed in full compliance with UL1571, 1570 or 1598. Before attempting installation of any recessed lighting fixture, check your local electrical building code. This code sets the wiring and installation requirements for your locality and should be understood before starting your work.
- **Note:** Spectrum 310 is designed for installations where housing and J-Box will not come into contact with insulation. Insulation must be spaced 3" away from the housing and J-Box.
- **Note:** Maximum ceiling thickness: 1-1/4"

Important: It is recommended that all electrical equipment be tested prior to installation.

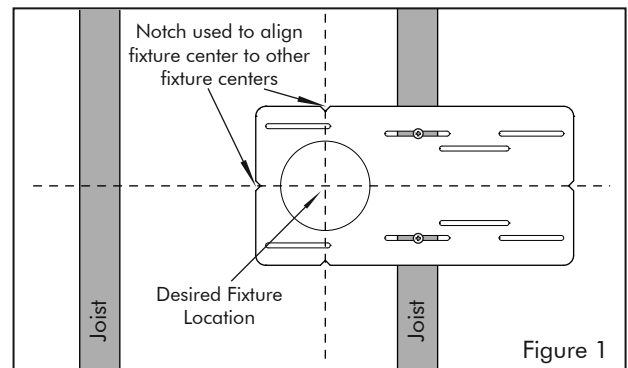
Installation

1. Consider the use of lighting within the bathing environment when determining the Spectrum 310 installation location. Spectrum 310 utilizes a 50 Watt lamp with a 36° beam spread and will amply light a 4' x 4' bathing area.
2. Provide electrical service according to your electric code to the selected fixture installation area. Supply wire insulation must be rated for at least 194°F (90°C).

Installation (continued)

3. For Remodels: Skip to step 4.

For New Rooms: Mount 16" mounting template to ceiling joist to indicate desired Spectrum 310 location. Use notches to quickly align desired location to other fixtures or elements in the room (see figure 1).



4. Cut the required cut-out within the ceiling backer-board. **Note:** An installation template is provided for installations that do not require the 16" mounting template.

5. Apply ceiling waterproof material (tile, stone, etc.) around the fixture housing cut-out. **Note:** Finished hole diameter must not exceed 4-3/8" diameter. Ceiling materials must not exceed 1-1/4" thick.

6. Remove fixture wire box cover and appropriate knock-out to connect flexible metal conduit to wiring box with proper connector (not supplied).

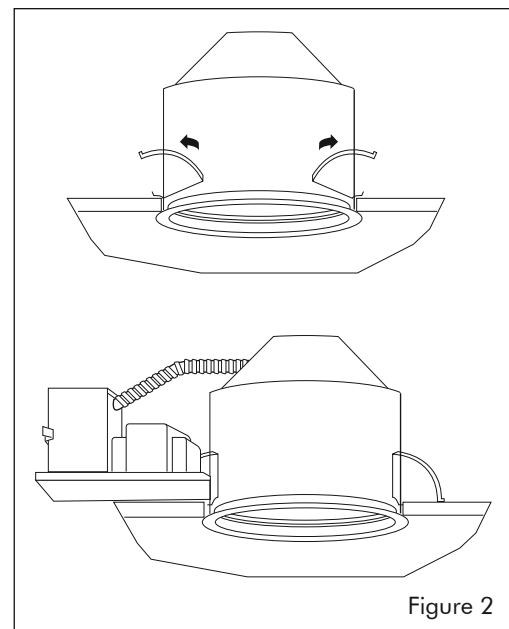
7. Connect supply wires to fixture wires with proper size wire nuts (not supplied), so as to cover all bare current-carrying conductors. Connect black fixture wire to black (hot) power supply wire, white fixture wire to white (neutral) power supply wire, green fixture wire to green (ground) wire.

8. Place all wiring and connections back into wiring box and replace cover.

9. Press housing through ceiling opening so it is flush to the finish material.

10. While holding fixture firmly in place, push retention clips outward until each clip tab clicks into position (see figure 2).

11. While continuing to hold housing against ceiling, tighten transformer plate in place.



12. With power off to fixture, install one 12V, 50W MR16 lamp (provided) making certain to not to touch exposed lamp (bulb). **Note:** Reduced lamp life may result from contaminating lamp glass with grease or skin oils during lamping. Use a clean cloth to handle lamps or clean lamp with alcohol when necessary.

13. Locate Spectrum 310 all-glass trim and compress the torsion springs while inserting into the slots within the fixture housing. **Note:** Install trim with clean hands or cloth to prevent staining.

14. With torsion springs installed, lay a thin 1/8" bead of RTV silicone (provided) around the trim perimeter.

Installation (continued)

15. Holding back on the trim, gently guide it flush with ceiling material for a secure fit.
16. Allow silicone to cure for 24 hours before exposing product to any source of moisture.

Product Care

For routine cleaning simply use a soft damp cloth and common household soap. Use the damp cloth to wipe clean, then dry. Clean product frequently to avoid calcium deposits on surfaces. Use only mild soap. **Never use abrasive cleaners, bleach, disinfectants or cleaning products containing alcohol, ammonia, hydrochloric or phosphoric acids** as they may damage the product's finish.

Replacement Parts

Contact your Bathology representative for Spectrum 310 Steam Room/In-Shower Light replacement parts.

Description	Part Number
Trim	Spectrum001
Housing	Spectrum002
Lamp, 12V, Halogen	Spectrum006

BATHOLOGY

rediscover bathing

www.Bathology.com 847-465-1070

A division of Bathing Brands, Inc.