

# BATHOLOGY

rediscover bathing



## Spectrum 320

Steam Room / In-Shower Light

Installation and Operating Manual

Spectrum 320 is a high-quality recessed downlight designed for residential bathing. Its low-voltage operation, U.L. wet location listing and innovative lamp angle adjustment technology make it an ideal luminaire for steam room environments. Blending with most any décor, the Spectrum 320 utilizes a slender trim with a unique leaf spring mounting mechanism for its superior seal. The Spectrum 320 will complement most any bathing environment and should be considered for new construction or remodeling projects where insulation may be set back a minimum of 3" from the housing, the maximum ceiling thickness does not exceed 1-1/4" and there exists 6" of installation height.

## Specifications

**Fixture Type:** Recessed Ceiling Downlight, Halogen  
**Dimming:** With Low Voltage Magnetic Type Dimmer  
**Insulation Contact:** Non-IC Rated  
**Minimum Installation Height:** 6"  
**Maximum Ceiling Thickness:** 1-1/4"  
**Rough-In Cut-Out:** 4-3/8"  
**Housing Length:** 10-1/2"  
**Housing Width:** 4-3/4"  
**Housing Height:** 5-1/4"  
**Transformer:** 120VAC to 12VAC 50VA  
Thermally Protected, Magnetic  
**Testing:** U.L. Listed, Suitable for Wet Locations  
**Trim:** Metal, Electrostatic Powder Paint  
**Trim Profile:** 1/8"  
**Trim Diameter:** 5"  
**Lens:** Etched Frosted Tempered Glass  
with Clear Center  
**Lamp:** 50 Watt 12VAC MR16, GU5.3 Base,  
Halogen  
**Lamp Current:** 4.25 Amps  
**Lamp Life:** 3000 Hours  
**Lamp Socket:** Bi-pin with Ceramic Insulator and  
Aluminum Heat Shield  
**Color Temperature:** 3000K  
**Color Rendering Index:** 100 Ra8  
**Beam Angle:** 36°  
**Lumen:** 850

## Package Includes

- (1) Housing, 4" Thermally protected 22 gauge galvanized steel with integral transformer, 10-1/2" L x 4-3/4" W x 5-1/4" H
- (1) Trim, metal with frosted glass lens, 5" diameter, 1/8" profile
- (1) Lamp, 50 Watt, 12VAC, MR16, GU5.3 Base, clear flood halogen
- (1) Silicone sealant, 1 ounce tube
- (1) 16" Mounting Template
- (1) Installation template
- Installation and operation manual

## Installation Notes

- **Warning:** For your safety read and understand instructions completely before starting. Before wiring to power supply, turn off electricity at the fuse or circuit breaker box.
- **Note:** Spectrum 320 is a recessed fixture designed to meet the latest NEC requirements and are listed in full compliance with UL1571, 1570 or 1598. Before attempting installation of any recessed lighting fixture, check your local electrical building code. This code sets the wiring and installation requirements for your locality and should be understood before starting your work.
- **Note:** Spectrum 320 is designed for installations where housing and J-Box will not come into contact with insulation. Insulation must be spaced 3" away from the housing and J-Box.
- **Note:** Maximum ceiling thickness: 1-1/4"

**Important:** It is recommended that all electrical equipment be tested prior to installation.

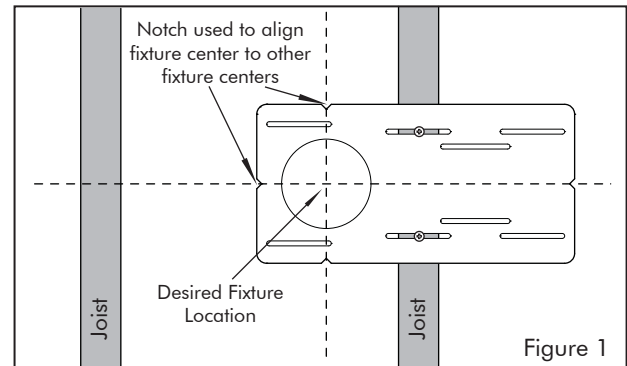
## Installation

1. Consider the use of lighting within the bathing environment when determining the Spectrum 320 installation location. Spectrum 320 utilizes a 50 Watt lamp with a 36° beam spread and will amply light a 4' x 4' bathing area.
2. Provide electrical service according to your electric code to the selected fixture installation area. Supply wire insulation must be rated for at least 194°F (90°C).

## Installation (continued)

### 3. For Remodels: Skip to step 4.

**For New Rooms:** Mount 16" mounting template to ceiling joist to indicate desired Spectrum 320 location. Use notches to quickly align desired location to other fixtures or elements in the room (see figure 1).



### 4. Cut the required cut-out within the ceiling backer-board. **Note:** An installation template is provided for installations that do not require the 16" mounting template.

### 5. Apply ceiling waterproof material (tile, stone, etc.) around the fixture housing cut-out. **Note:** Finished hole diameter must not exceed 4-3/8" diameter. Ceiling materials must not exceed 1-1/4" thick.

### 6. Remove fixture wire box cover and appropriate knock-out to connect flexible metal conduit to wiring box with proper connector (not supplied).

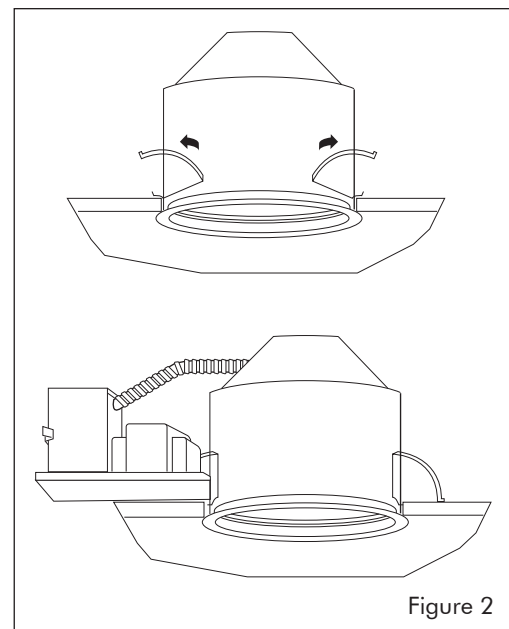
### 7. Connect supply wires to fixture wires with proper size wire nuts (not supplied), so as to cover all bare current-carrying conductors. Connect black fixture wire to black (hot) power supply wire, white fixture wire to white (neutral) power supply wire, green fixture wire to green (ground) wire.

### 8. Place all wiring and connections back into wiring box and replace cover.

### 9. Press housing through ceiling opening so it is flush to the finish material.

### 10. While holding fixture firmly in place, push retention clips outward until each clip tab clicks into position (see figure 2).

### 11. While continuing to hold housing against ceiling, tighten transformer plate in place.



### 12. With power off to fixture, install one 12V, 50W MR16 lamp (provided) making certain to not to touch exposed lamp (bulb). **Note:** Reduced lamp life may result from contaminating lamp glass with grease or skin oils during lamping. Use a clean cloth to handle lamps or clean lamp with alcohol when necessary.

## Installation (continued)

13. Locate Spectrum 320 trim and adjust vertical lamp adjustment to desirable setting, then fit lamp into trim (see figure 3). Lay a thin 1/8" bead of RTV silicone (provided) around the trim perimeter. **Note:** Install trim with clean hands or cloth to prevent staining.
14. With silicone applied, guide the leaf springs into fixture housing and press flush with ceiling material for a secure fit.
15. Allow silicone to cure for 24 hours before exposing product to any source of moisture.

## Product Care

For routine cleaning simply use a soft damp cloth and common household soap. Use the damp cloth to wipe clean, then dry. Clean product frequently to avoid calcium deposits on surfaces. Use only mild soap based detergents. **Never use abrasive cleaners, bleach, disinfectants or cleaning products containing alcohol, ammonia, hydrochloric or phosphoric acids** as they will damage the product's finish.

## Replacement Parts

Contact your Bathology representative for Spectrum 320 Steam Room/In-Shower Light replacement parts.

Description	Part Number
Housing	Spectrum002
Trim, satin nickel	Spectrum004
Trim, white	Spectrum005
Lamp, 12V, Halogen	Spectrum006

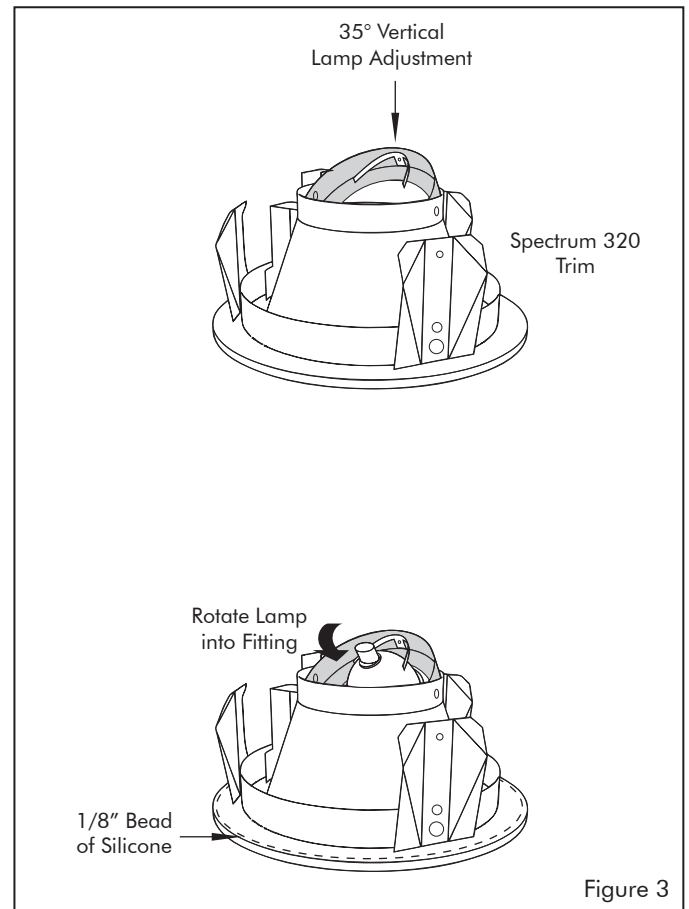


Figure 3

## BATHOLOGY

rediscover bathing

www.Bathology.com 847-465-1070

A division of Bathing Brands, Inc.