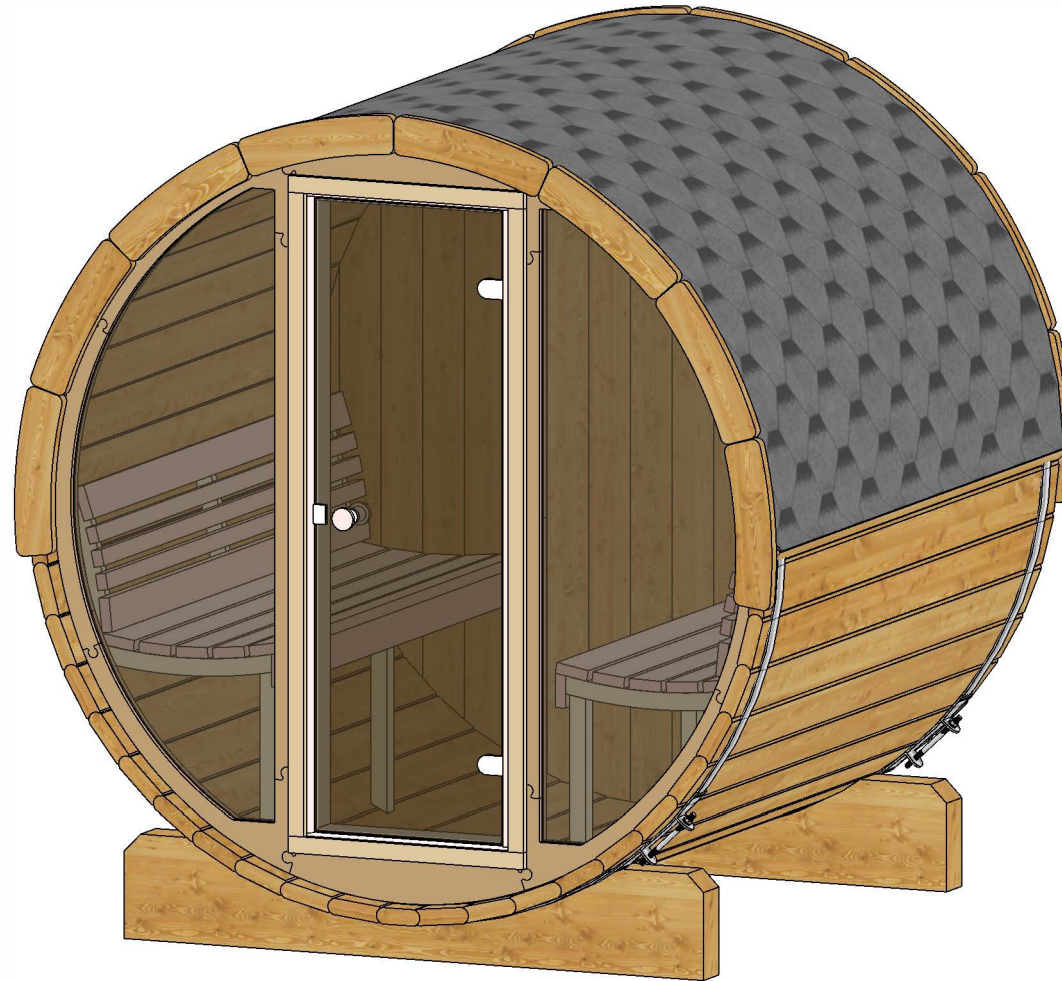




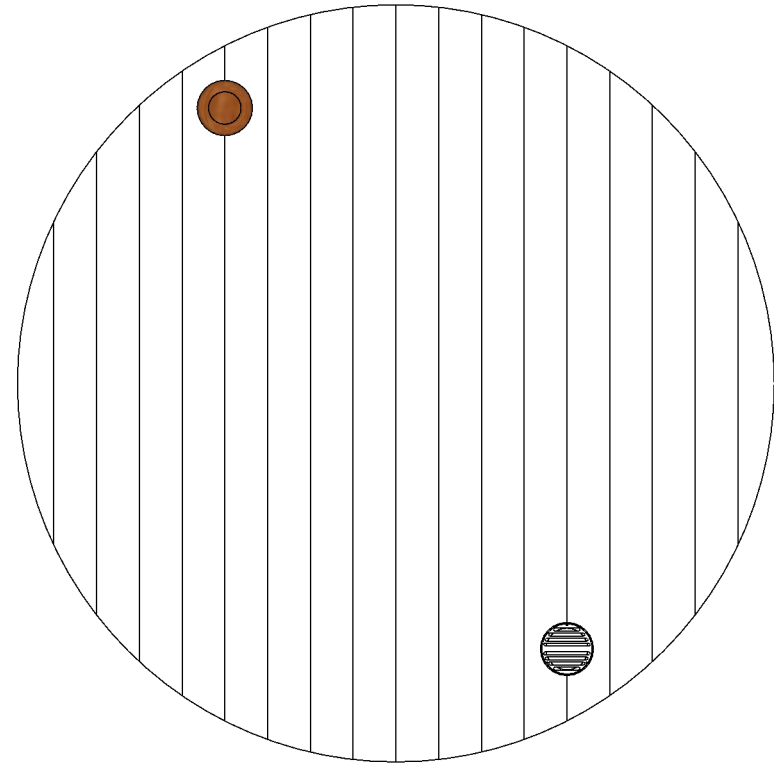
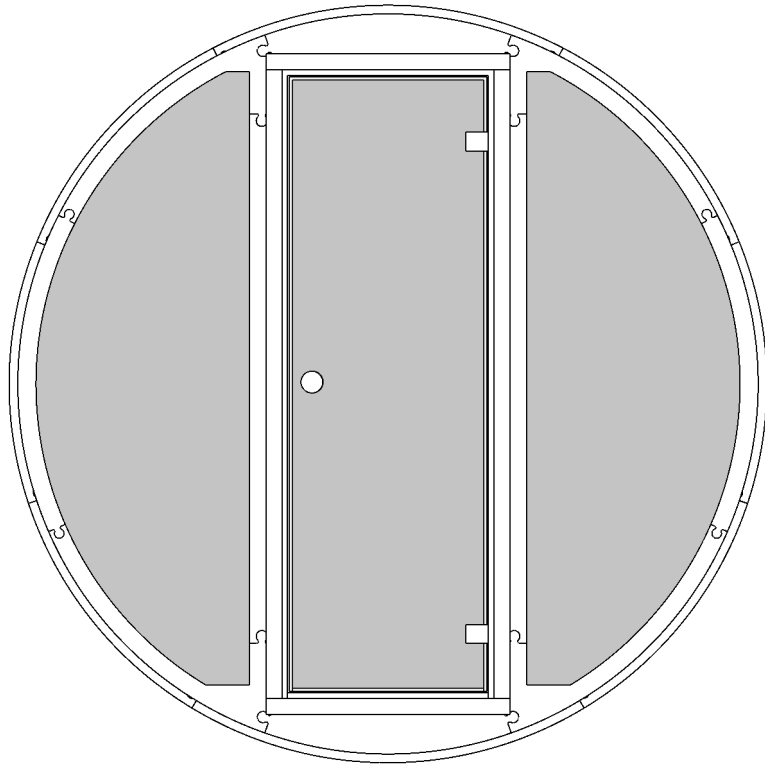
Ergo-Series E7G Barrel Sauna  
Full Glass Front 71D" x 81H"



**Note: Please read manual before construction**

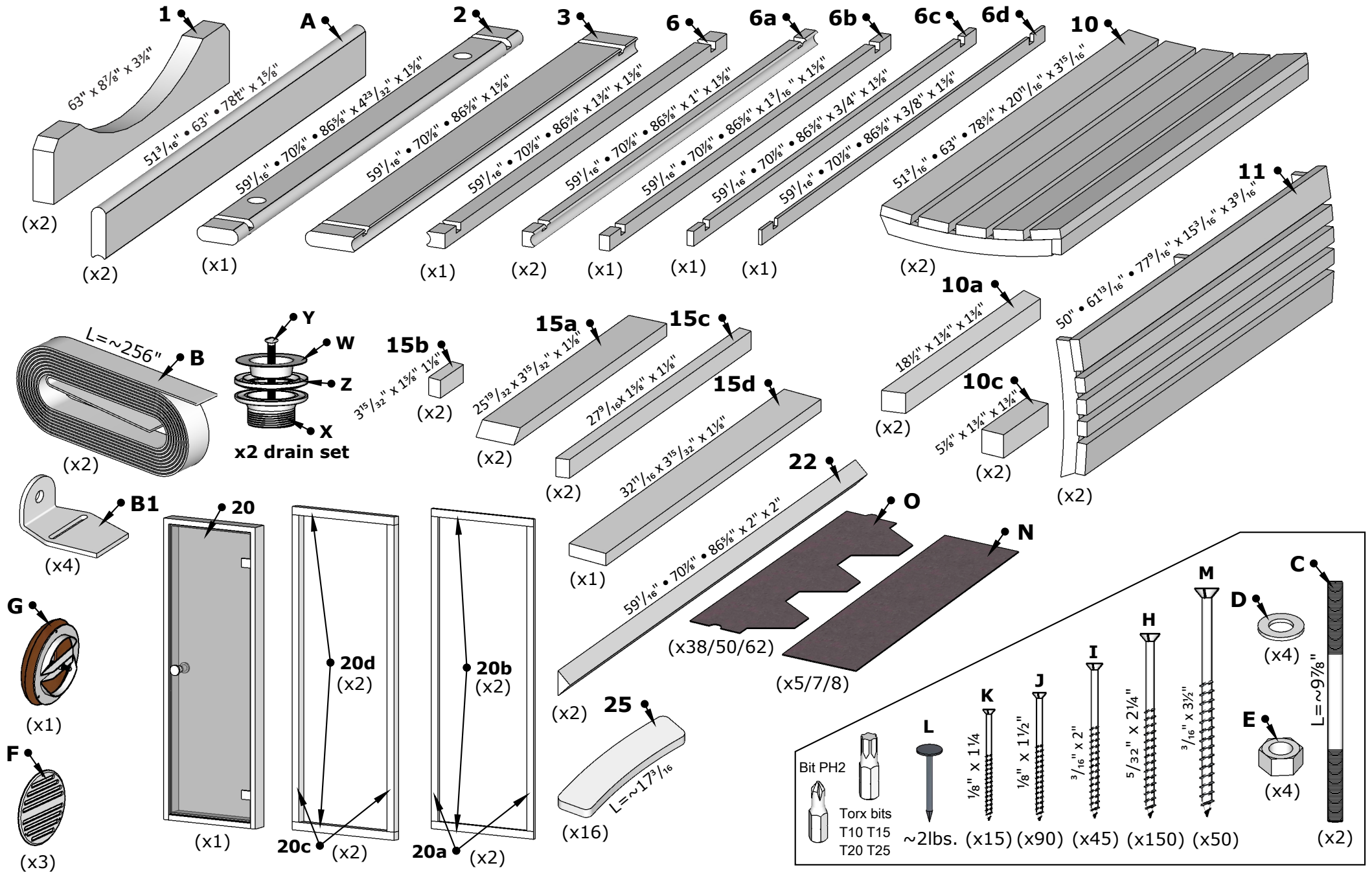
Rev 4/2023

# Front & Back Walls

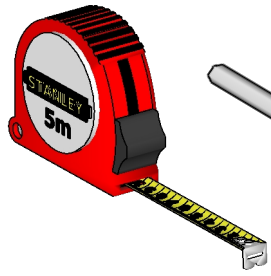


# E7G Barrel Sauna 71D" x 81H"

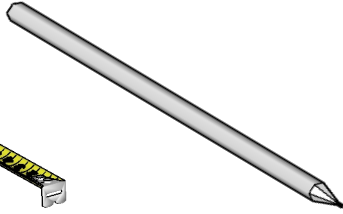
## Details list.



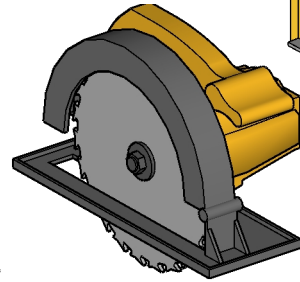
# Tools needed



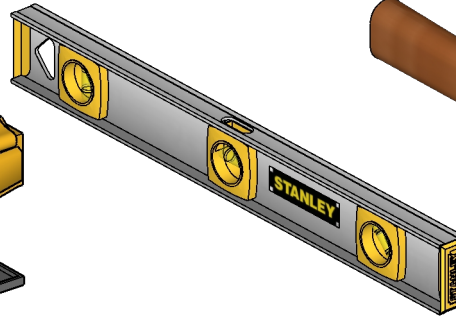
Measuring tape



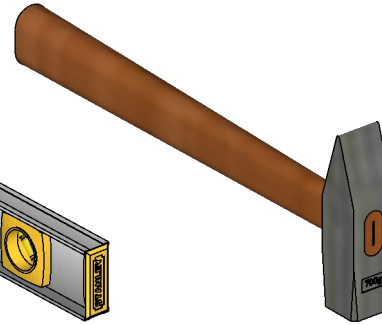
Marker pen



Circular saw



Water level



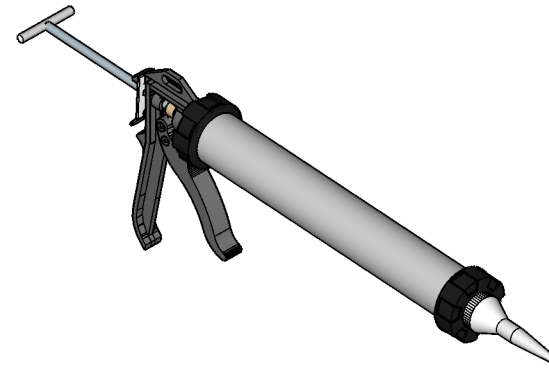
Hammer



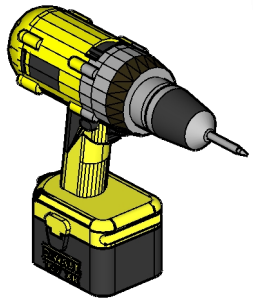
Extra hands



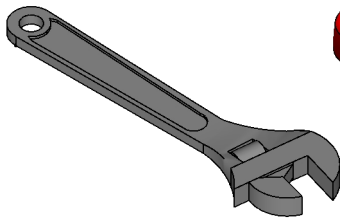
Ratchet strap



Silicone gun  
(Only glass-wall models)



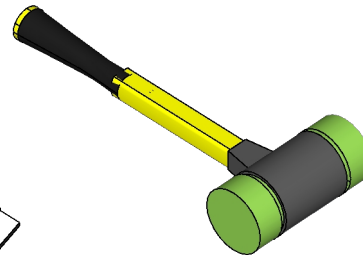
Drill



Crescent wrench

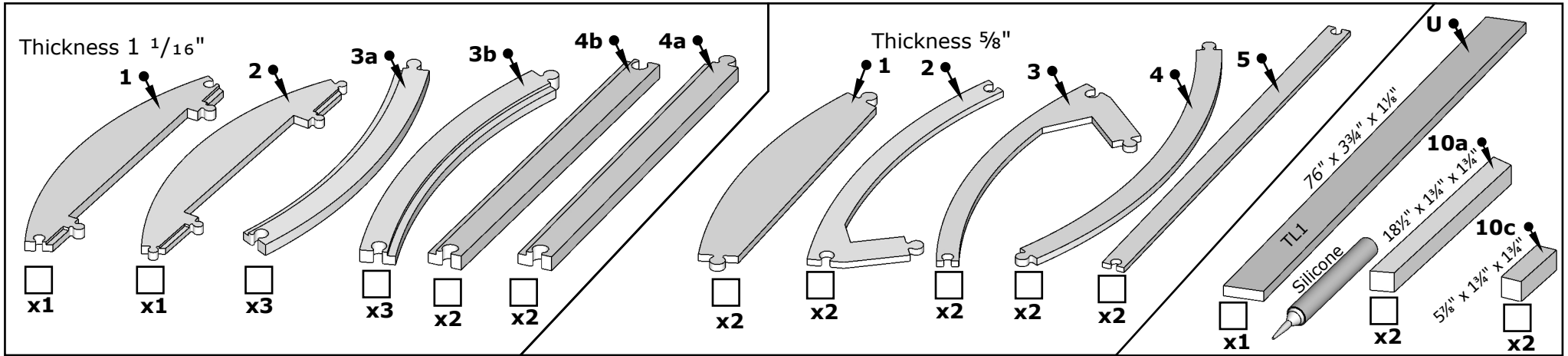


Utility knife

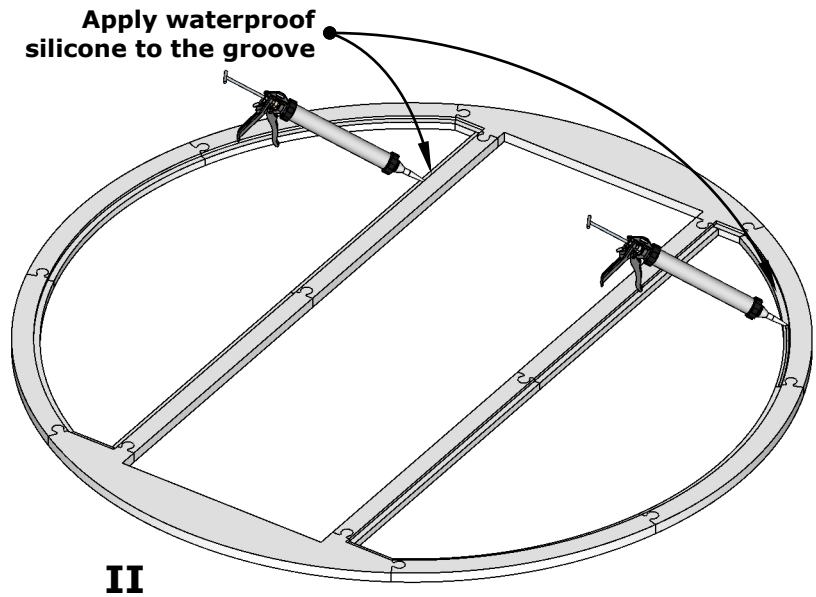
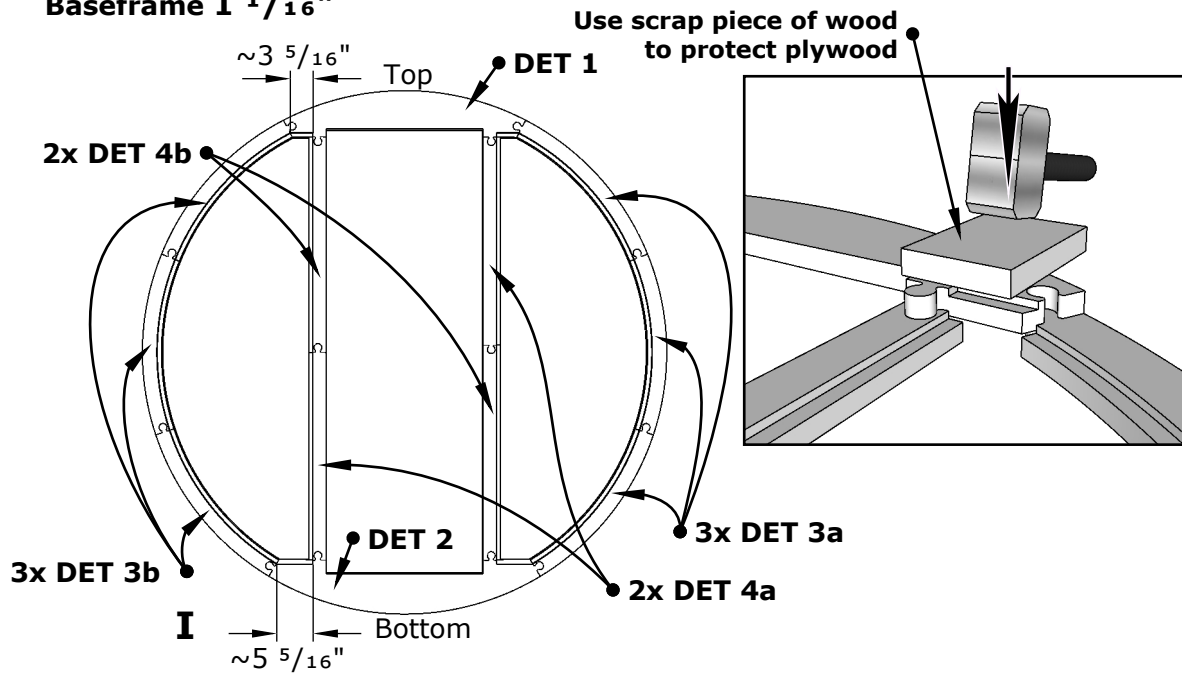


Rubber mallet

# Front glass wall installation

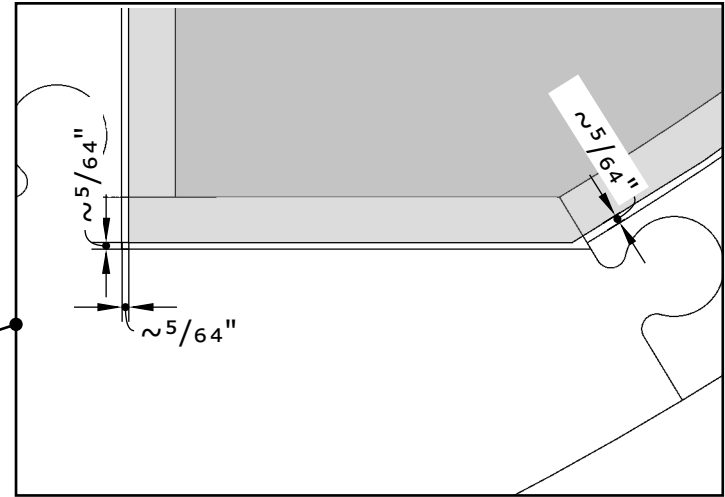
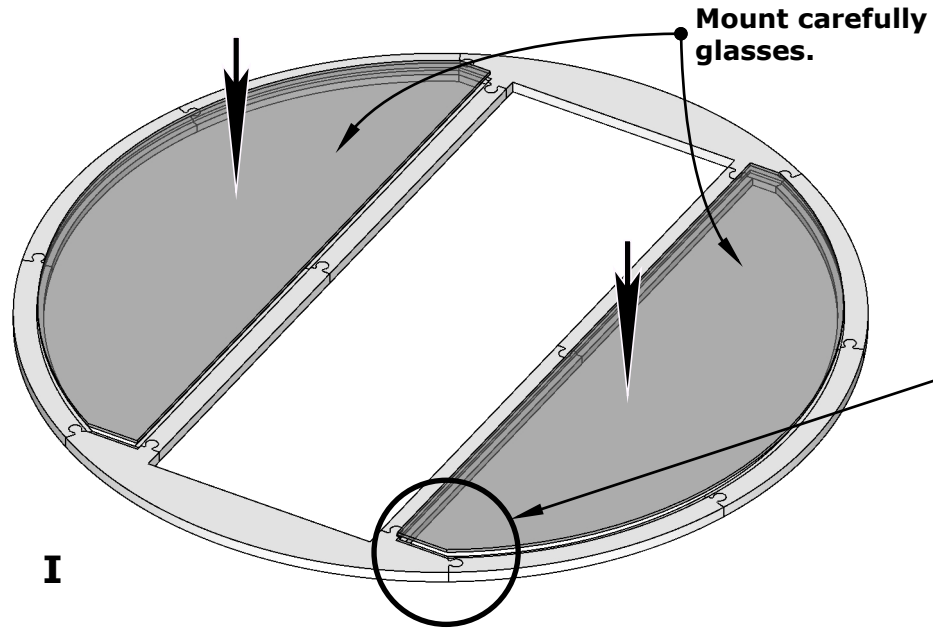


## Baseframe 1 1/16"

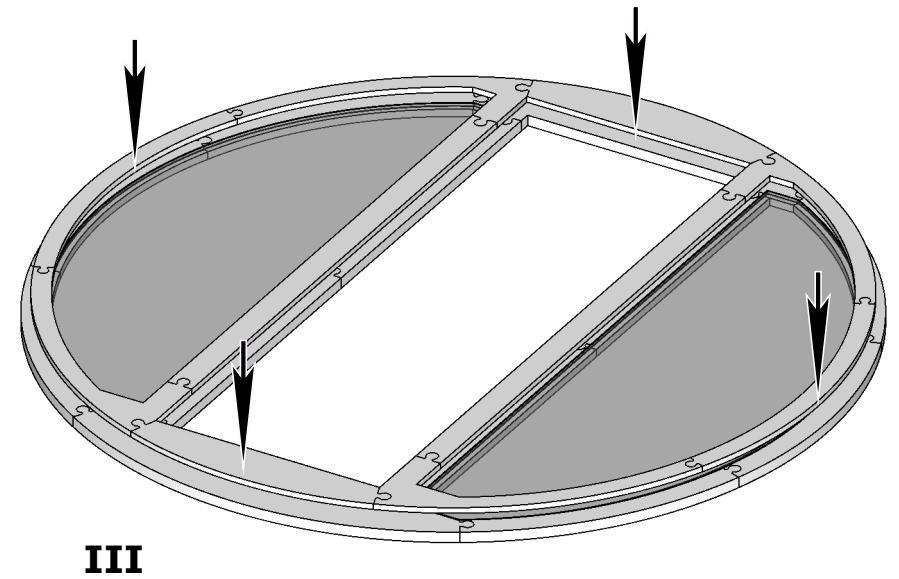
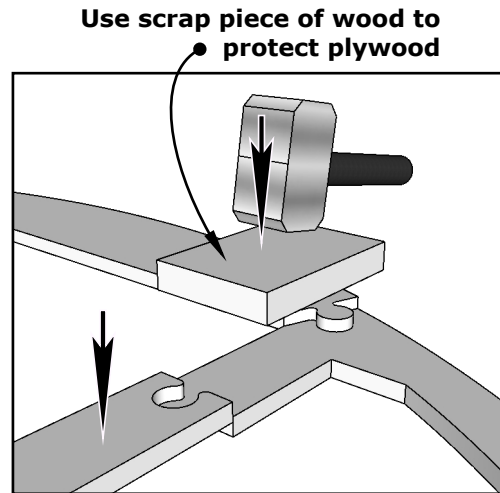
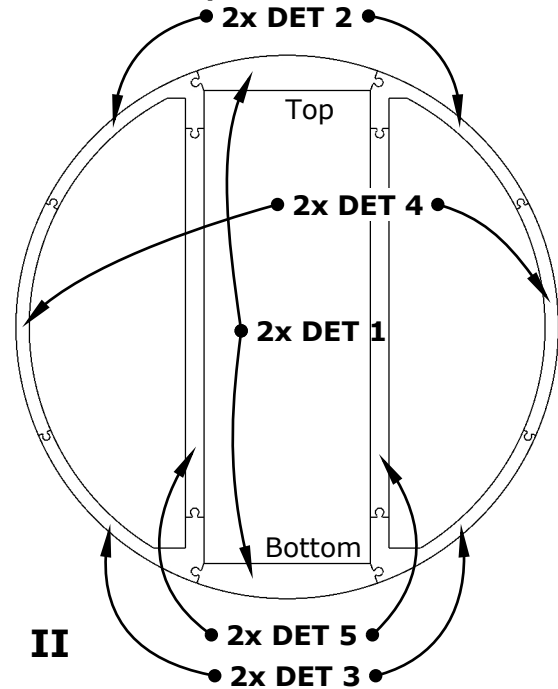


1.

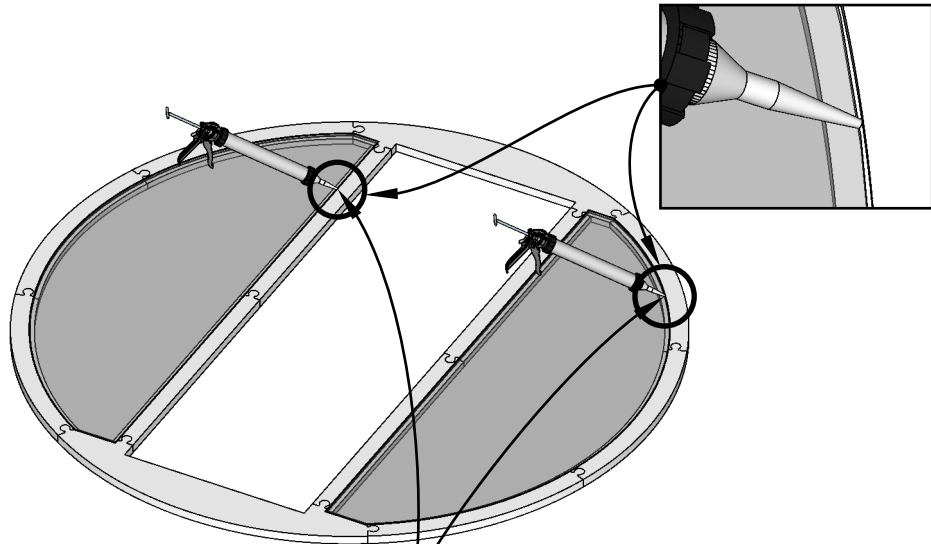
# Front glass wall installation



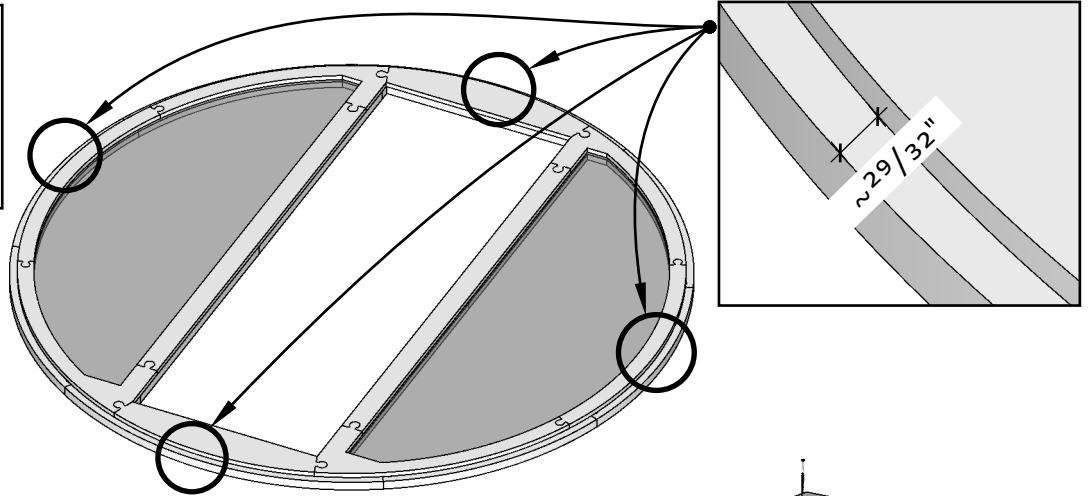
Coverframe  $19/32''$



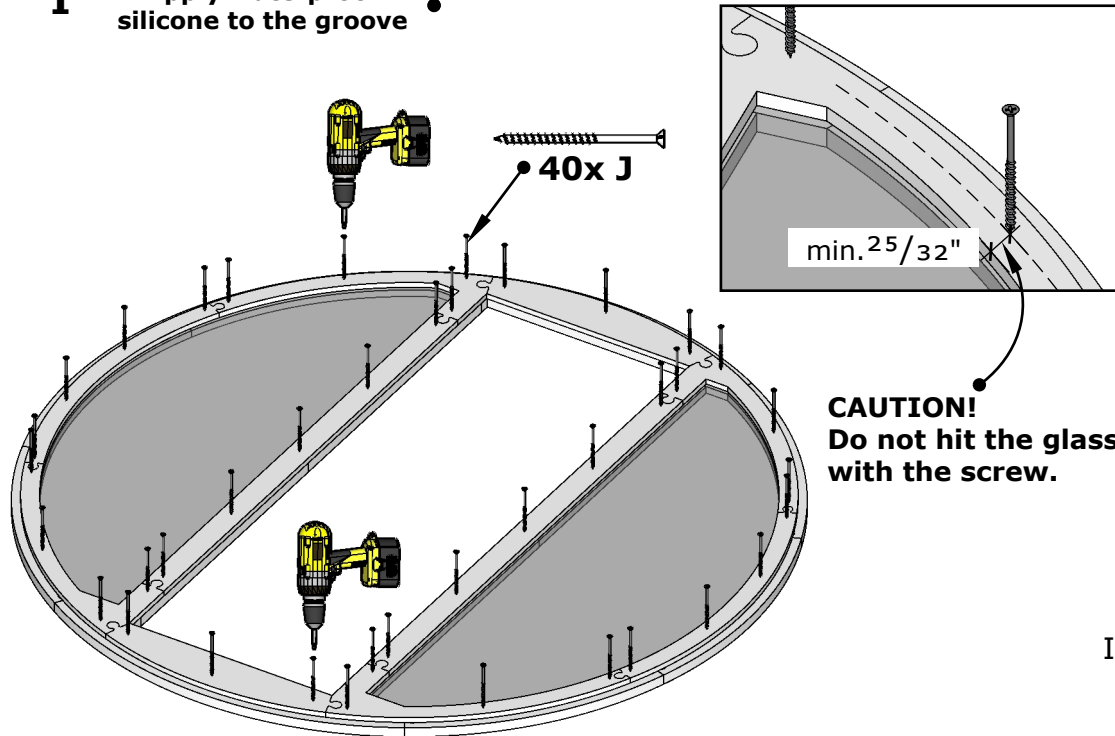
# Front glass wall installation



**I** Apply waterproof silicone to the groove

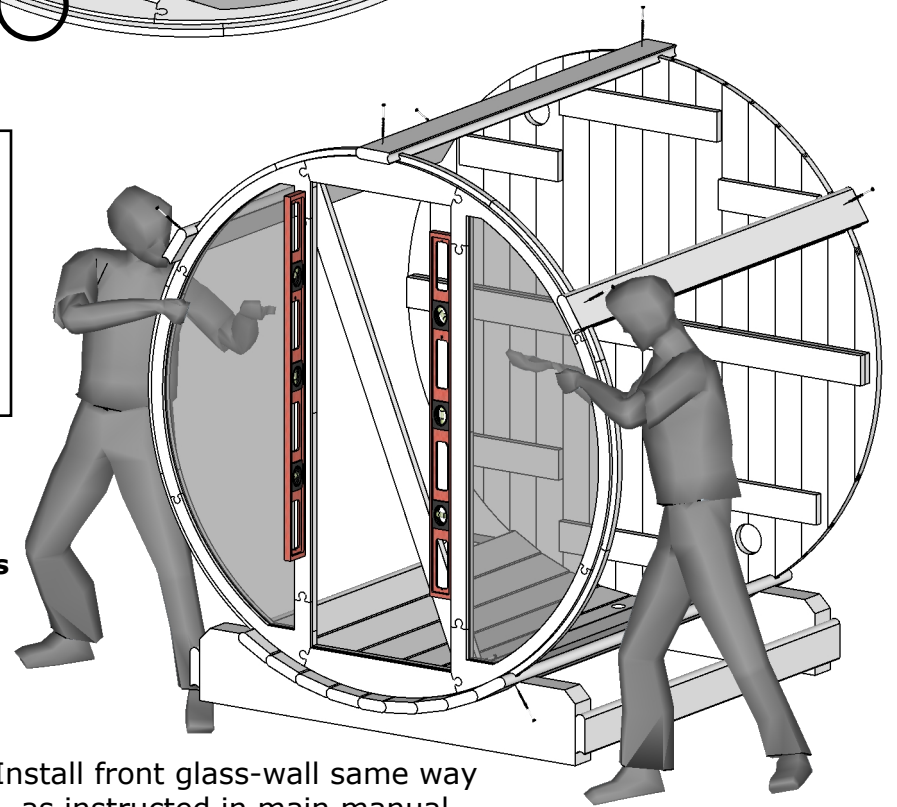


**II**



**CAUTION!**  
Do not hit the glass with the screw.

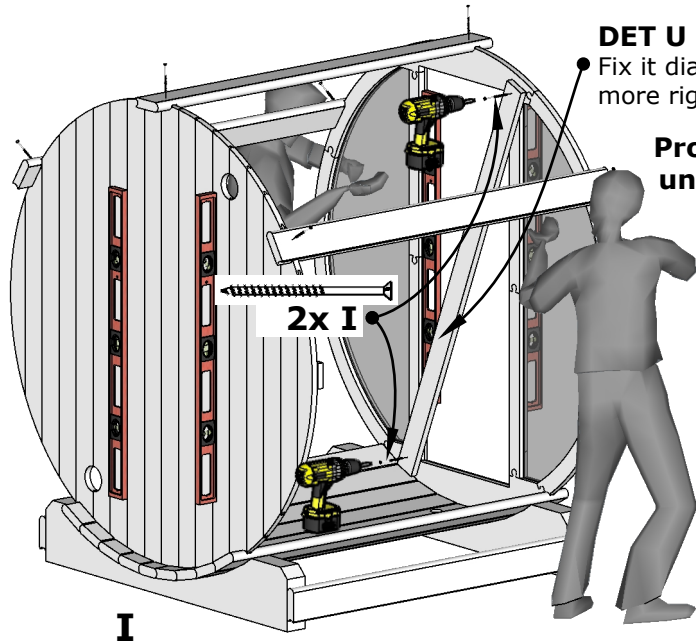
**III**



Install front glass-wall same way as instructed in main manual.

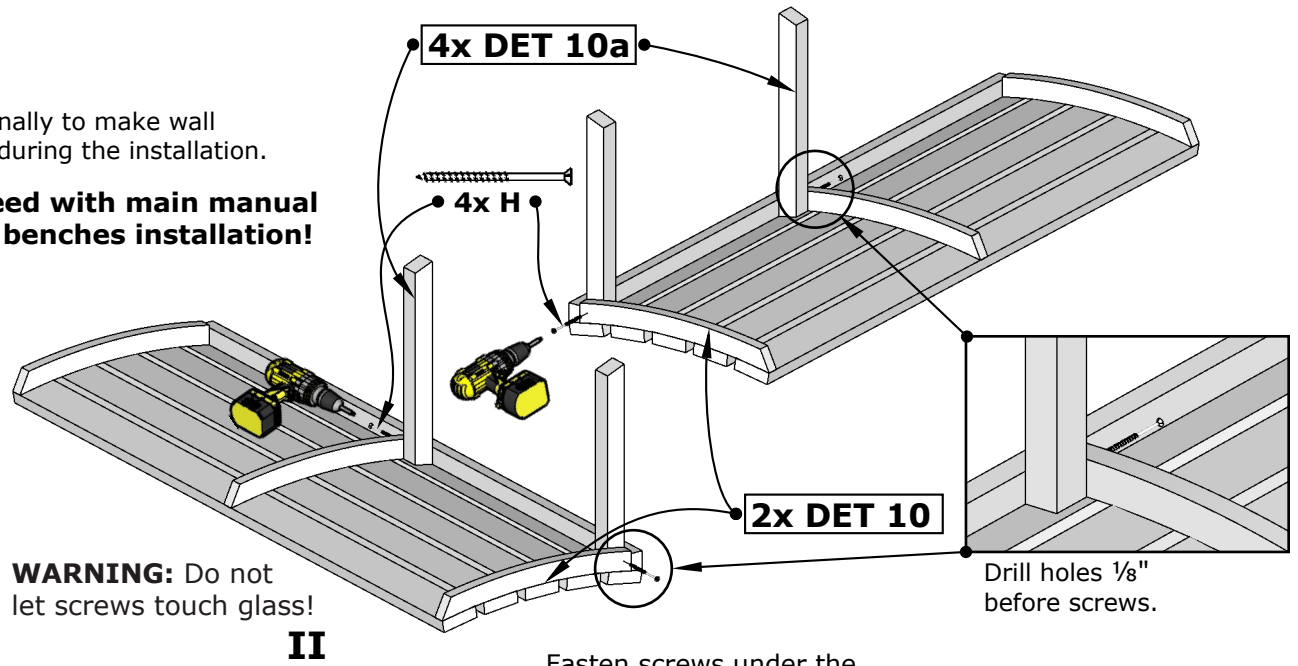
**IV**

# Front glass wall installation

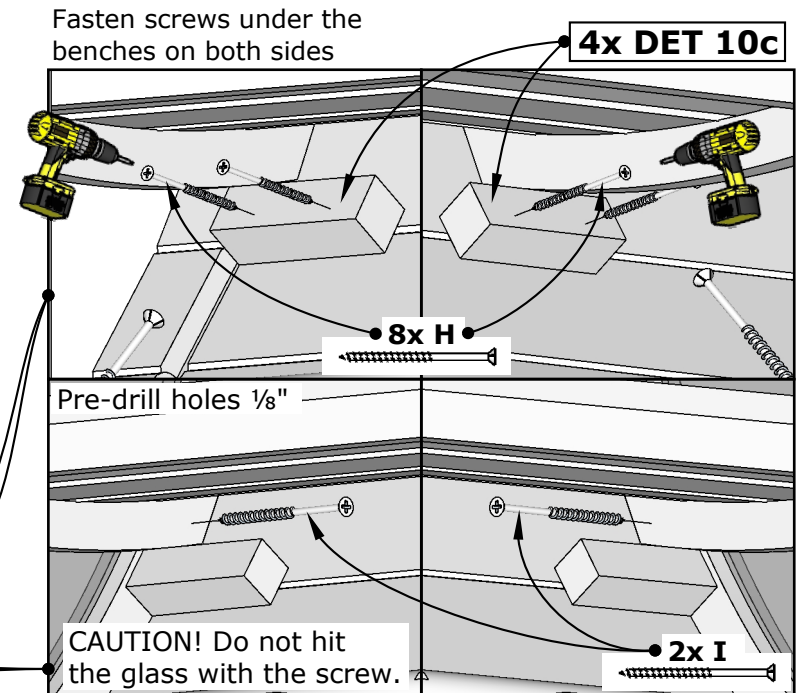
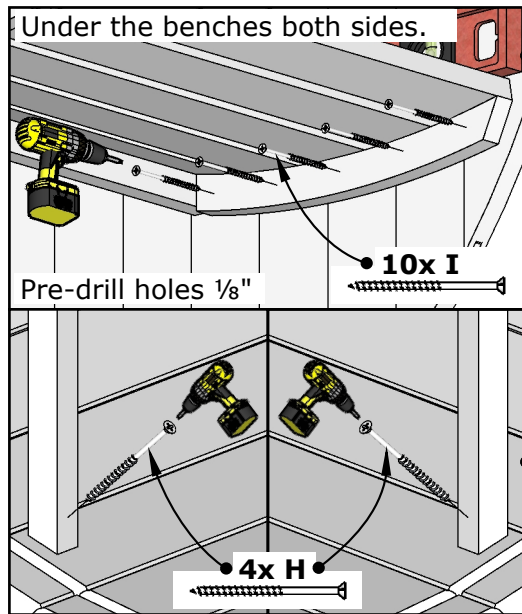


**DET U**  
 Fix it diagonally to make wall more rigid during the installation.

**Proceed with main manual until benches installation!**

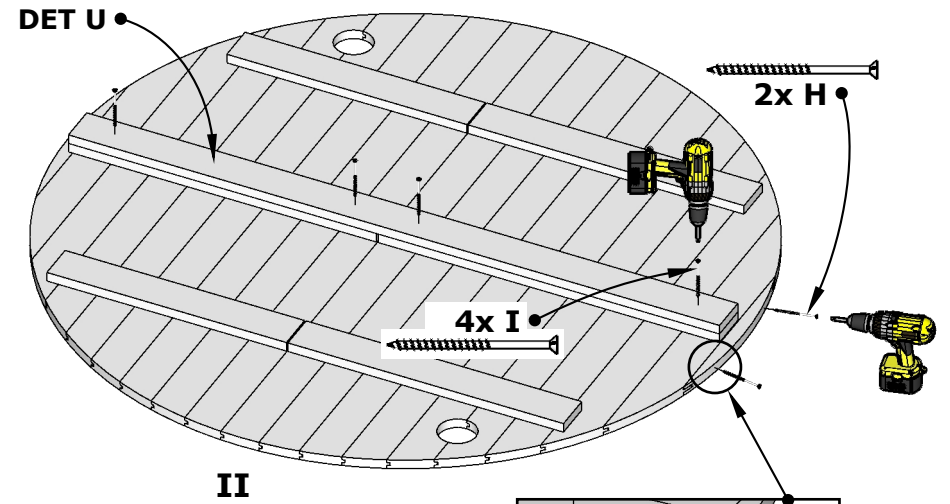
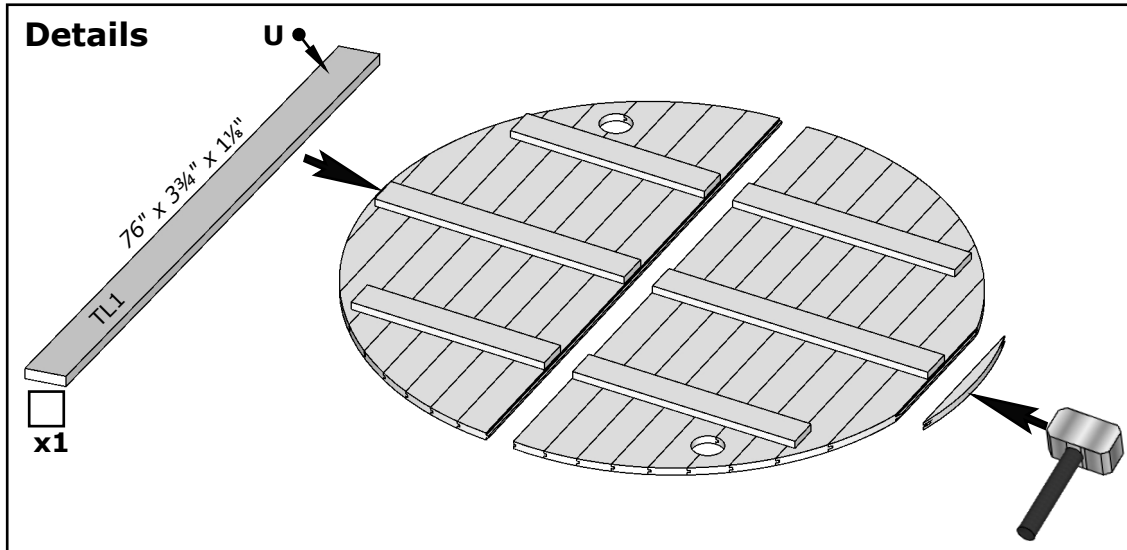


Drill holes 1/8" before screws.

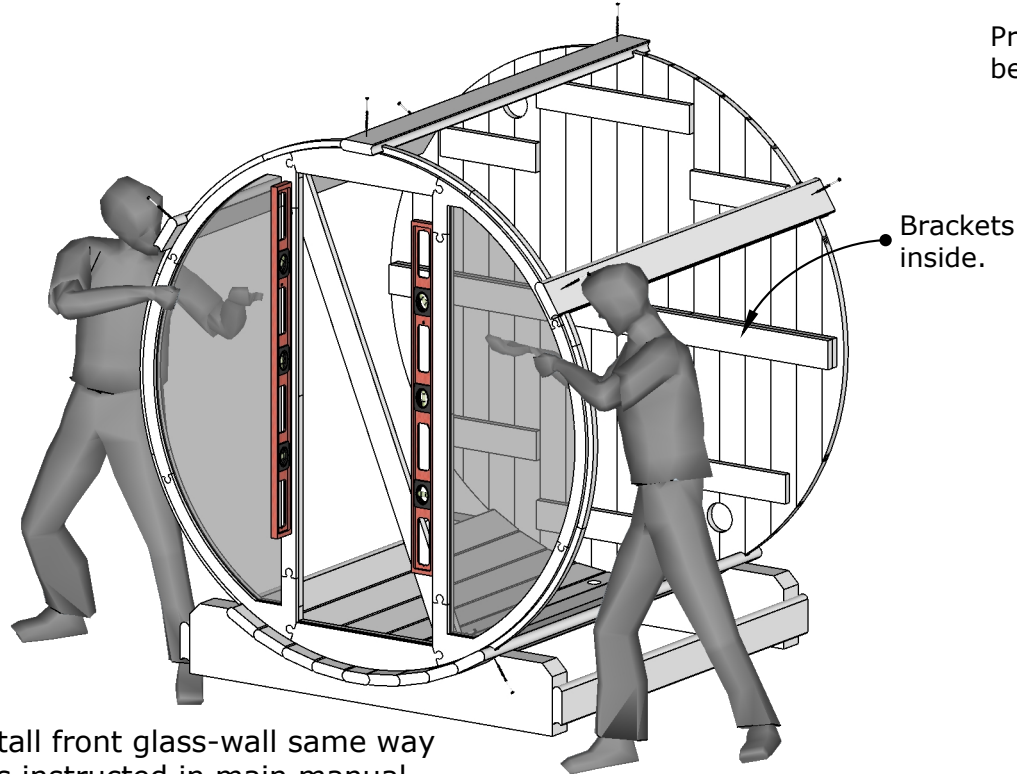
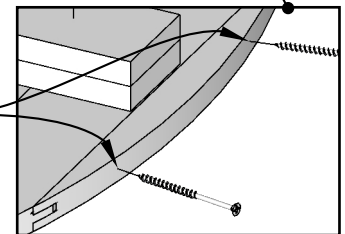




# Wooden back wall assembly



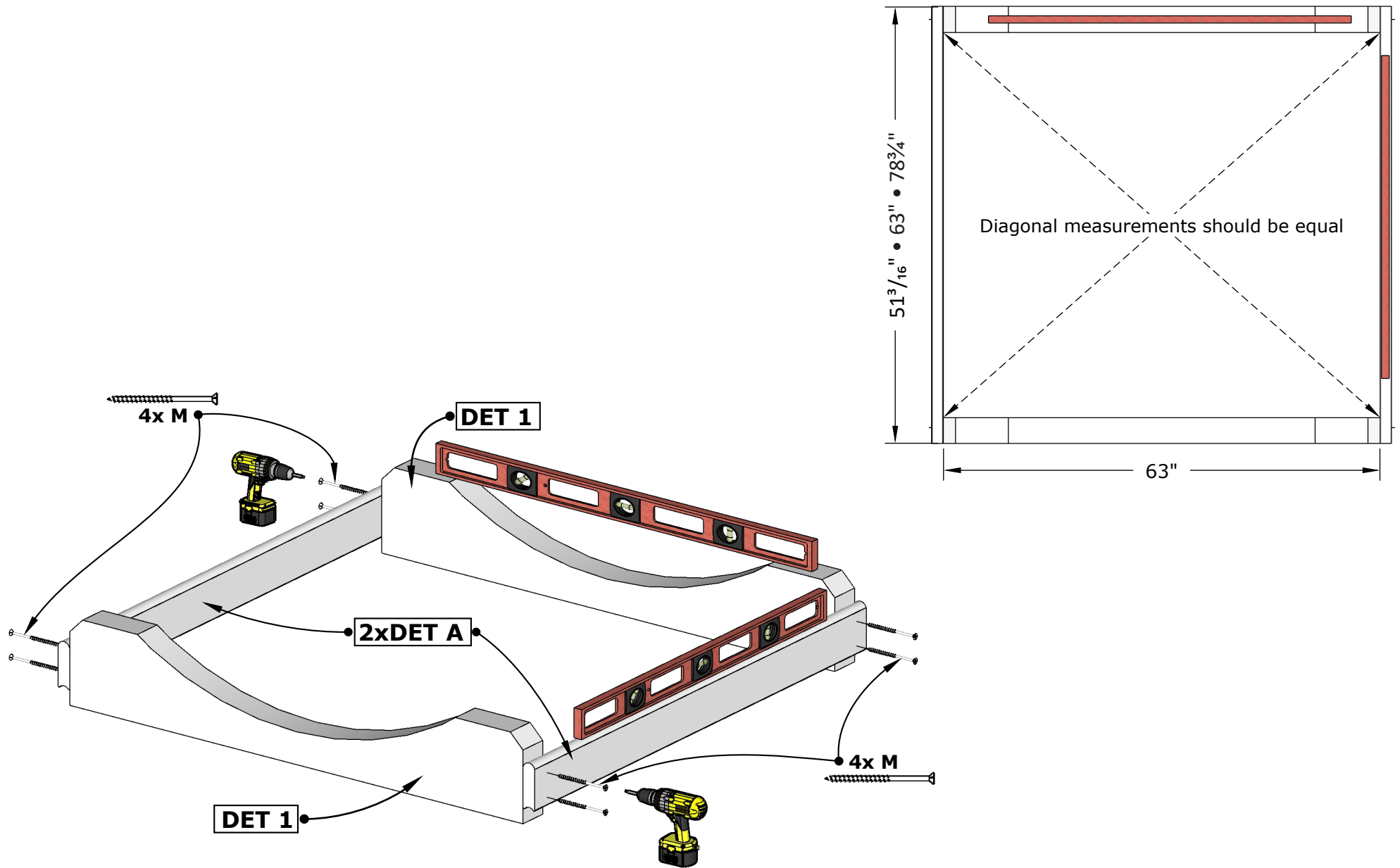
Pre-drill holes 5/32" before screws.



Install front glass-wall same way as instructed in main manual.

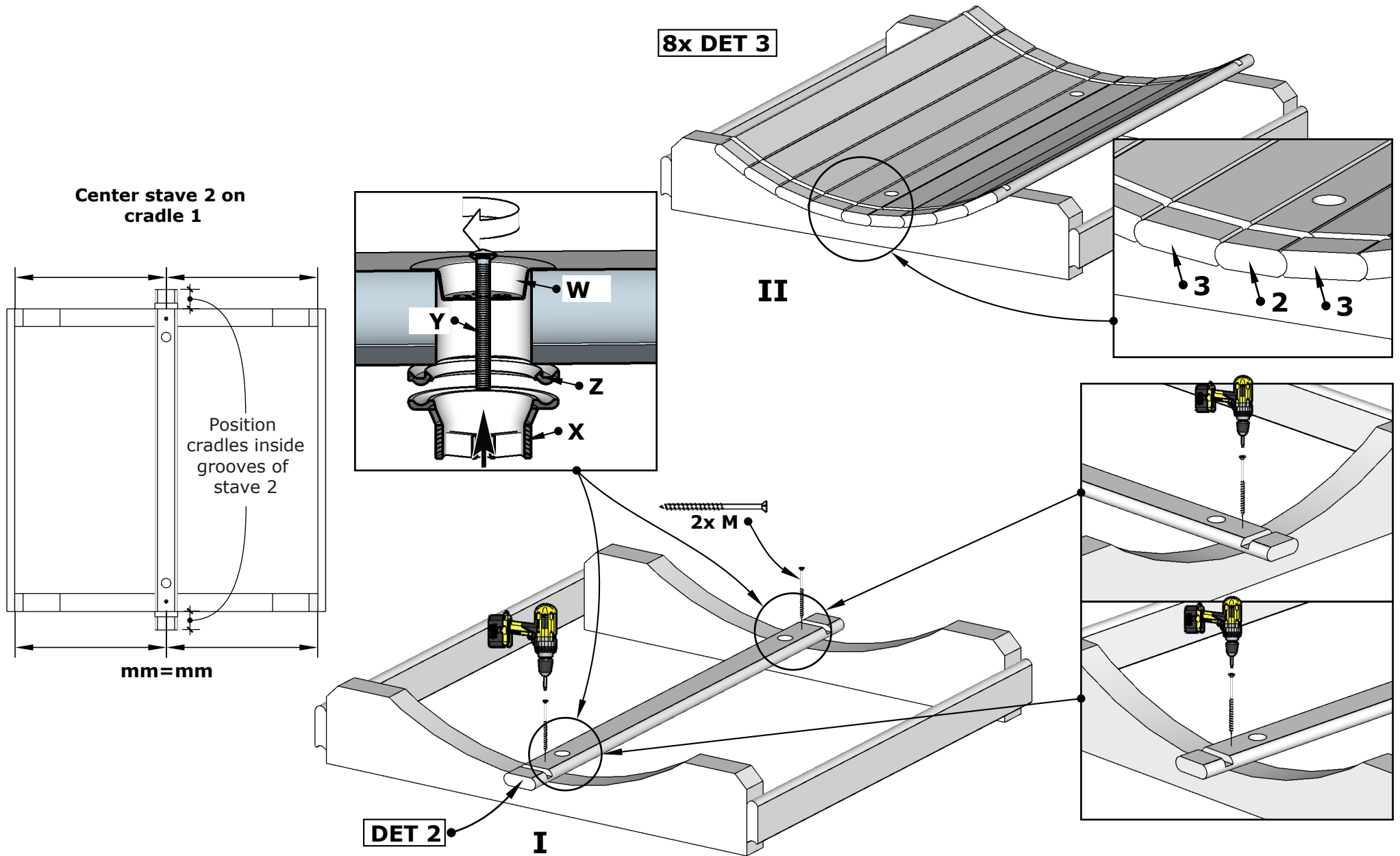
## III

# E7G Barrel Sauna 71D" x 81H"

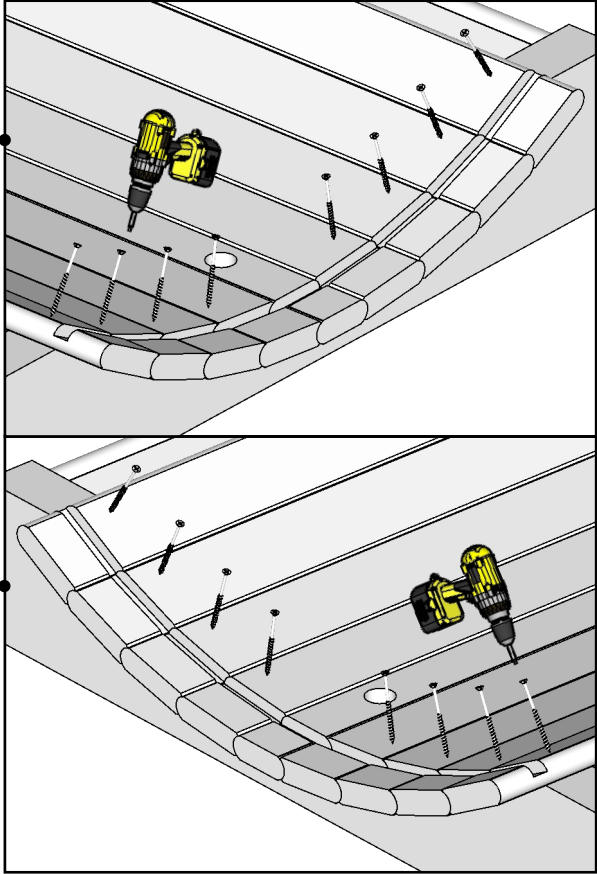
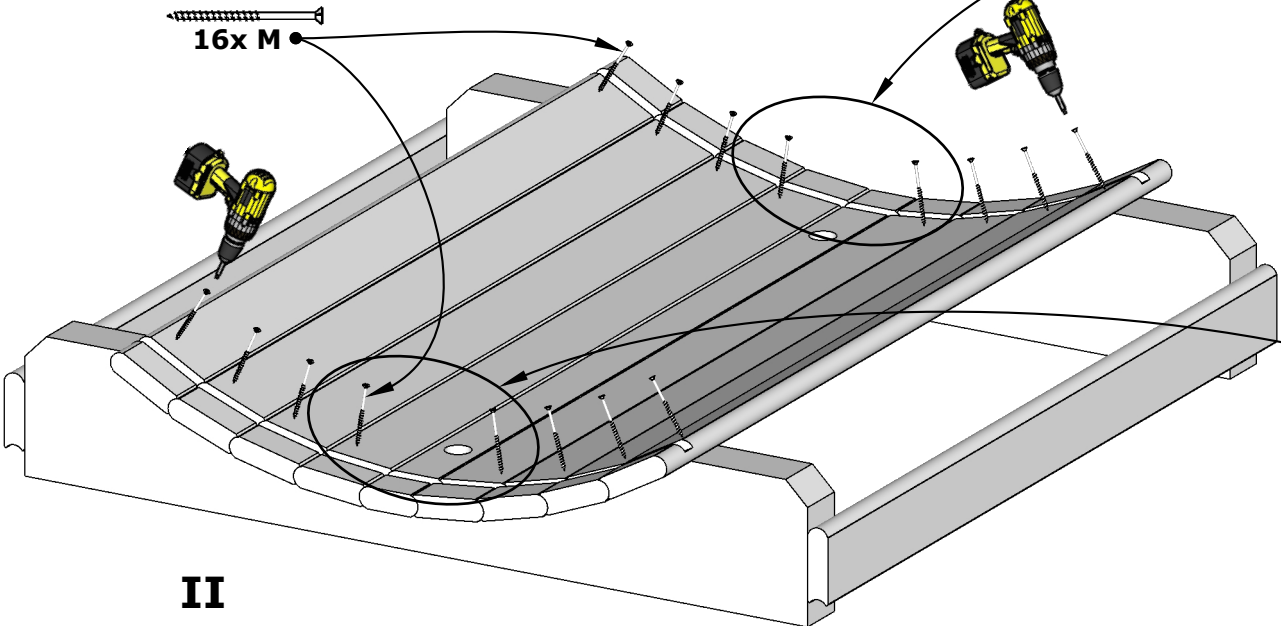
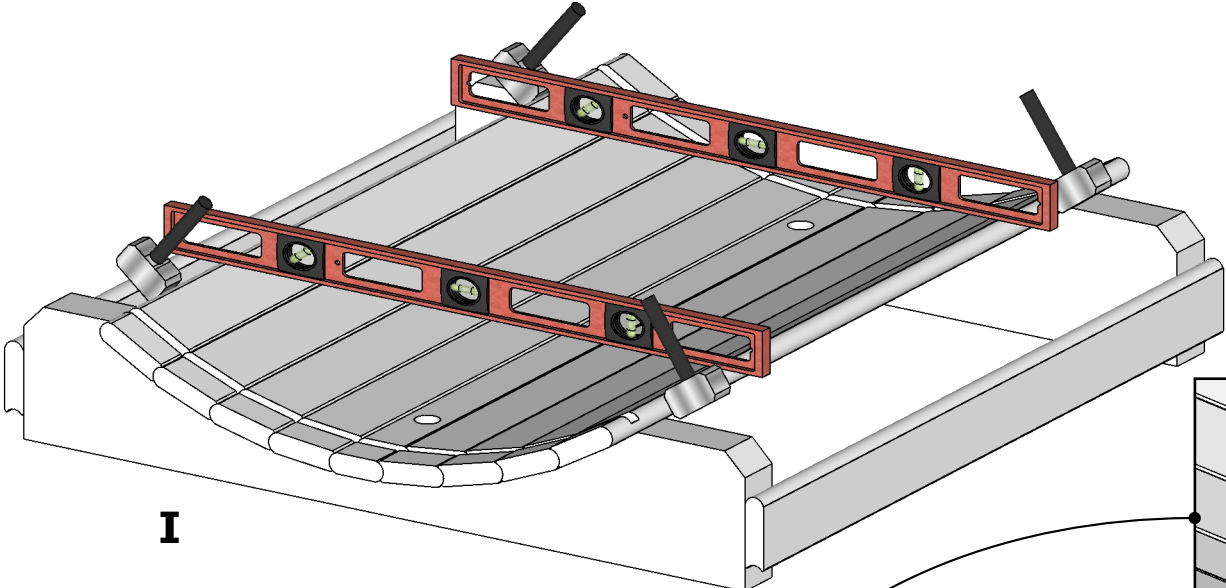


**1.**

# E7G Barrel Sauna 71D" x 81H"

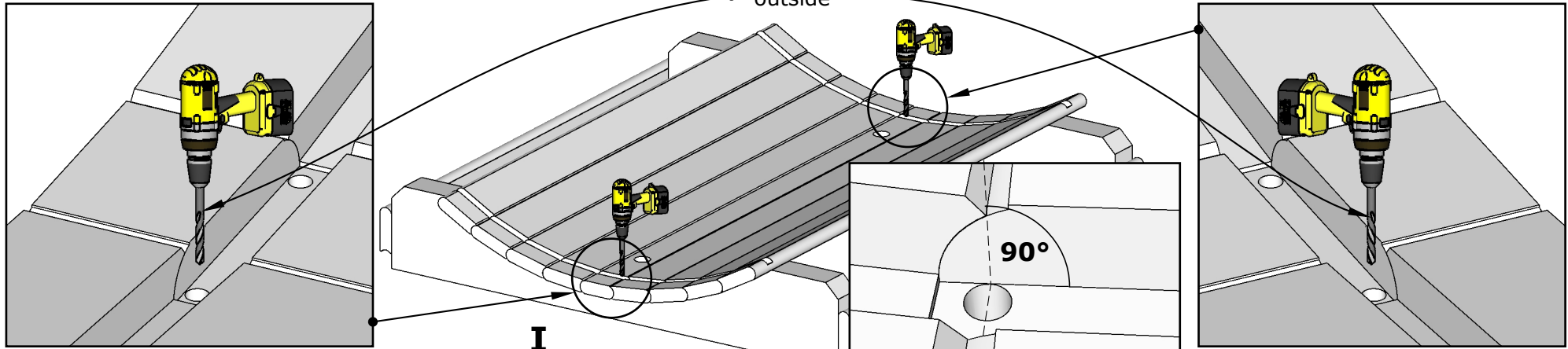


# E7G Barrel Sauna 71D" x 81H"



# E7G Barrel Sauna 71D" x 81H"

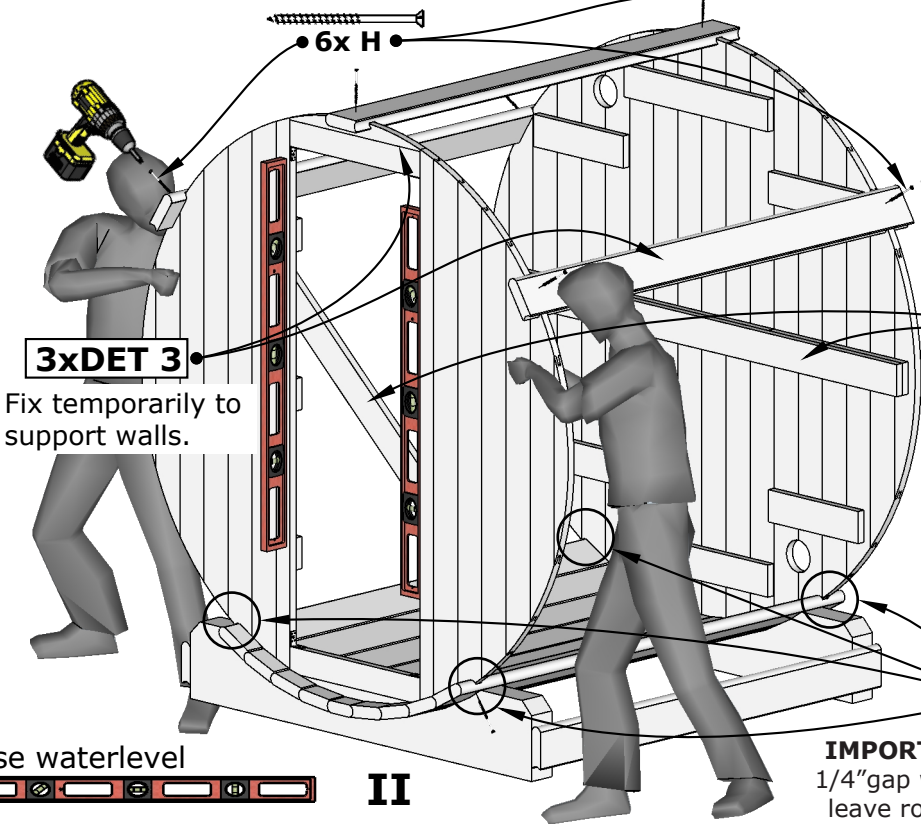
Drill 4 holes  $\varnothing 1/2"$   
through DET 2  
outside



**I**

**Check walls installation  
manual on extra pages!**

**Sauna wall configuration  
depends on Your model!**



**3xDET 3**

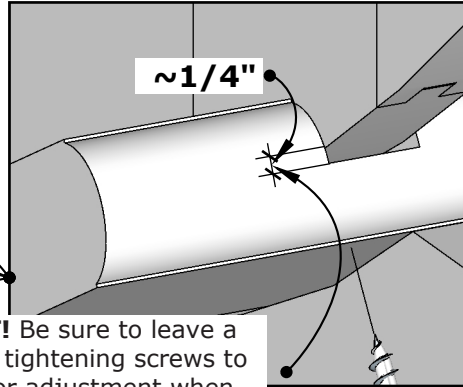
Fix temporarily to  
support walls.

**6x H**

Brackets inside

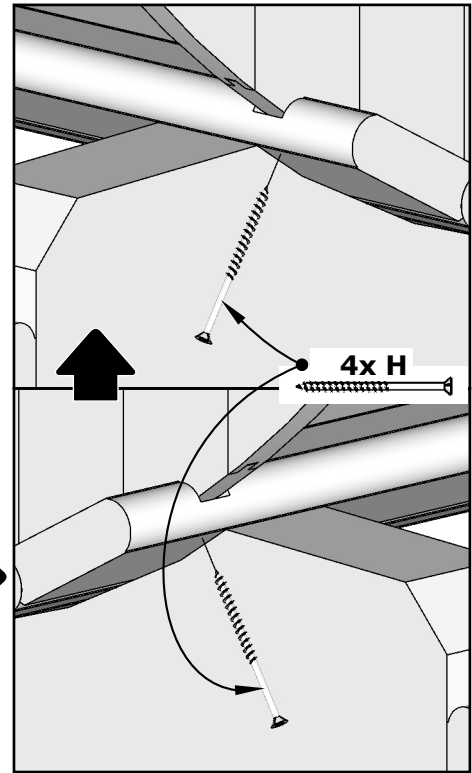
Use waterlevel

**II**



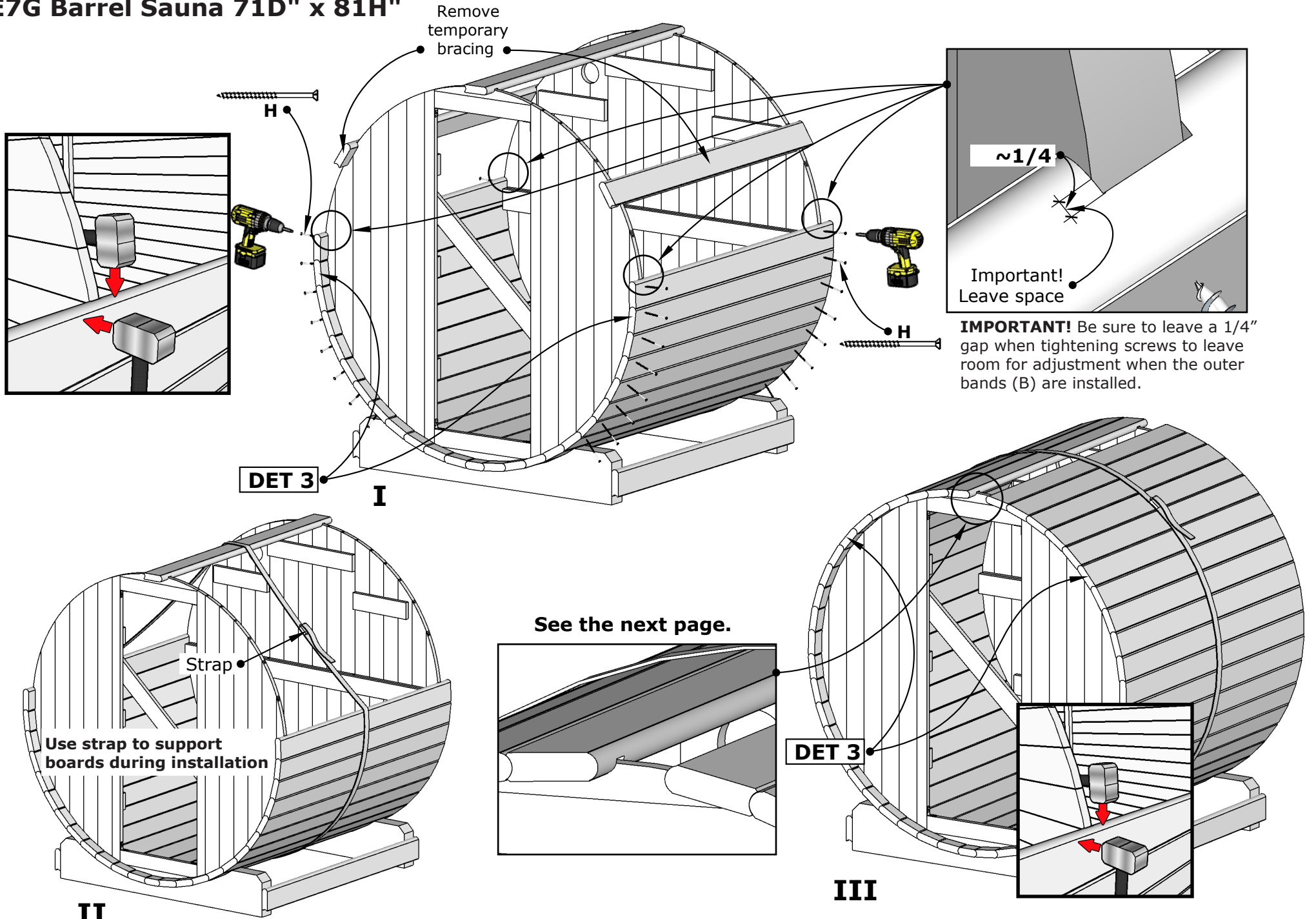
$\sim 1/4"$

**IMPORTANT!** Be sure to leave a  
 $1/4"$  gap when tightening screws to  
leave room for adjustment when  
the outer bands (B) are installed.

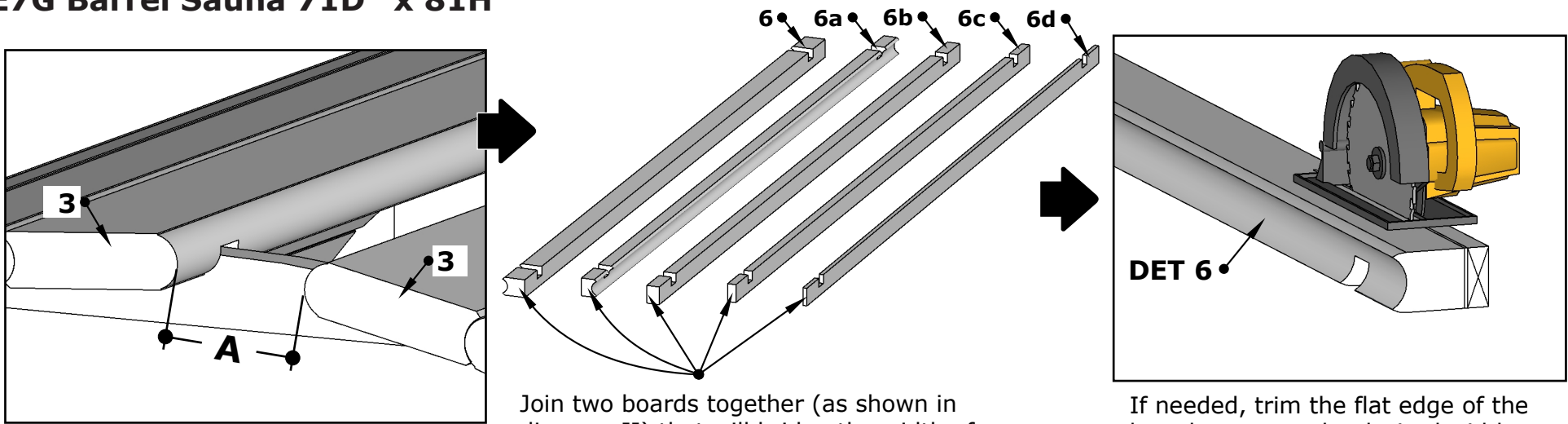


**4x H**

# E7G Barrel Sauna 71D" x 81H"



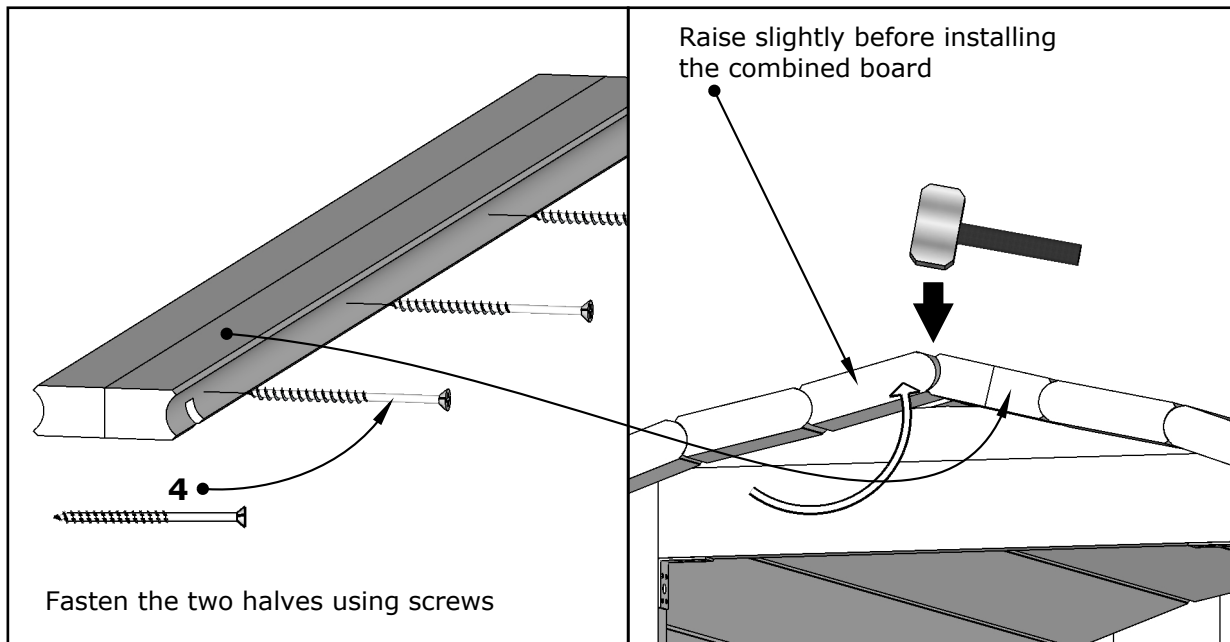
# E7G Barrel Sauna 71D" x 81H"



**I**

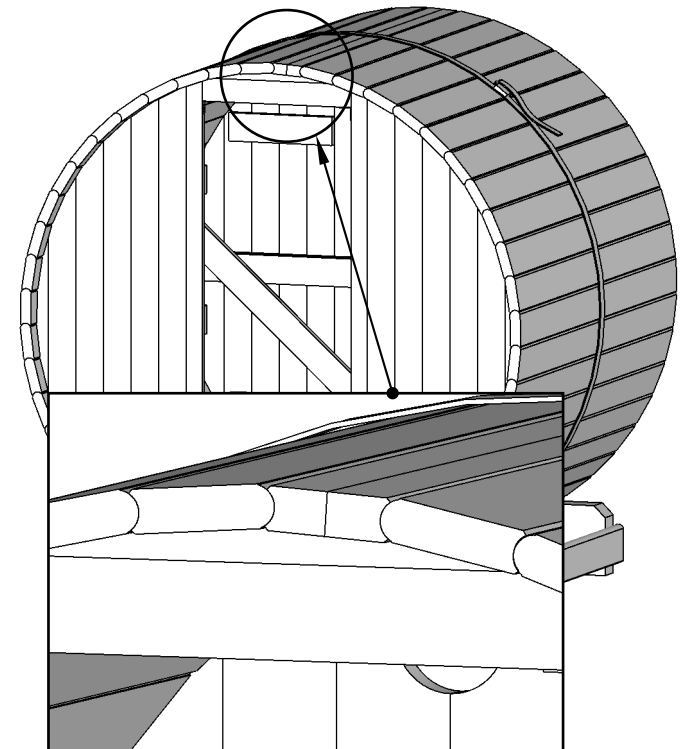
Join two boards together (as shown in diagram II) that will bridge the width of the "A" gap. It is recommended that the combined boards are approximately 1/4" wider than the gap.

If needed, trim the flat edge of the board to create the desired width.



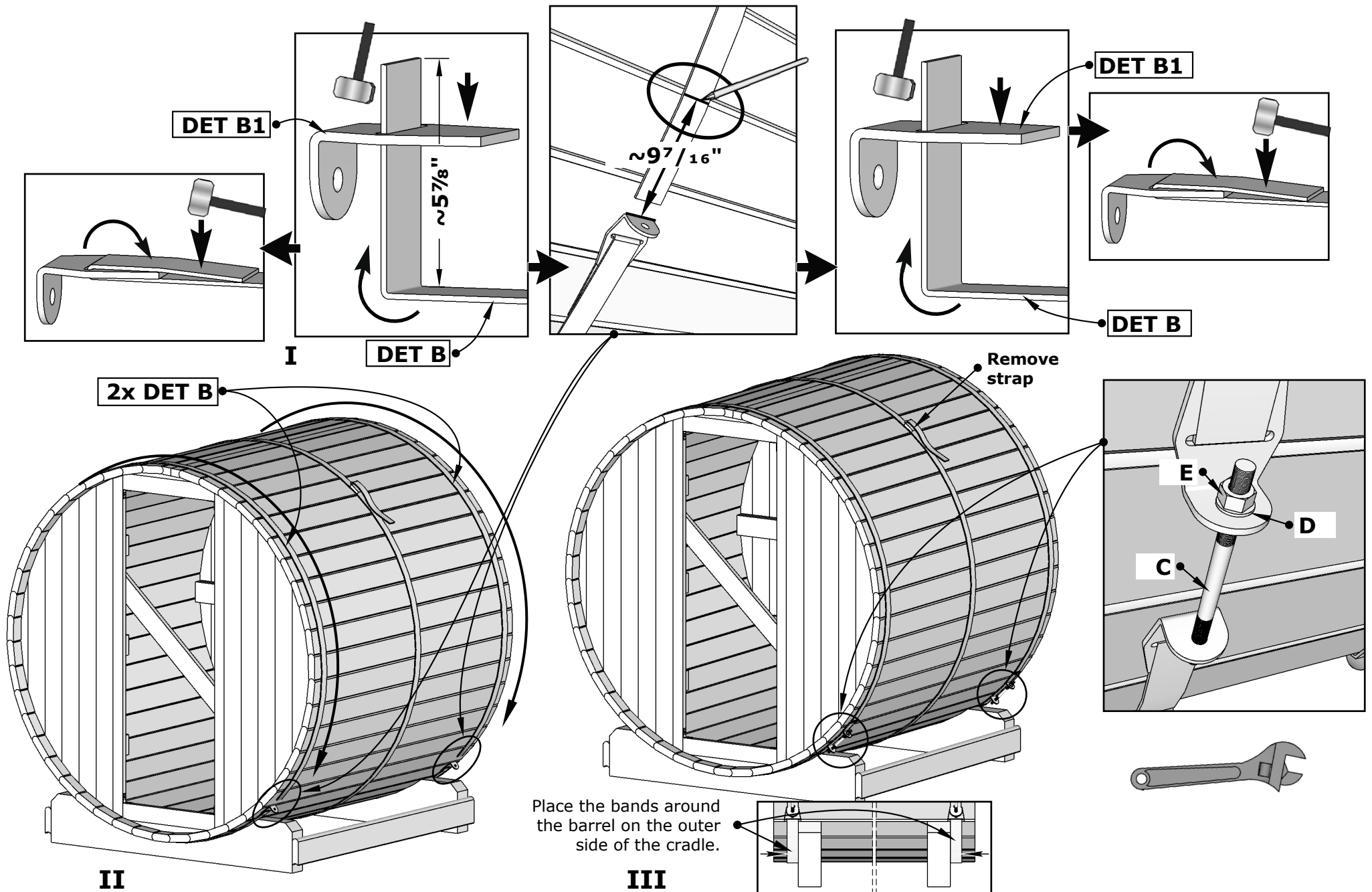
Fasten the two halves using screws

**II**



**III**

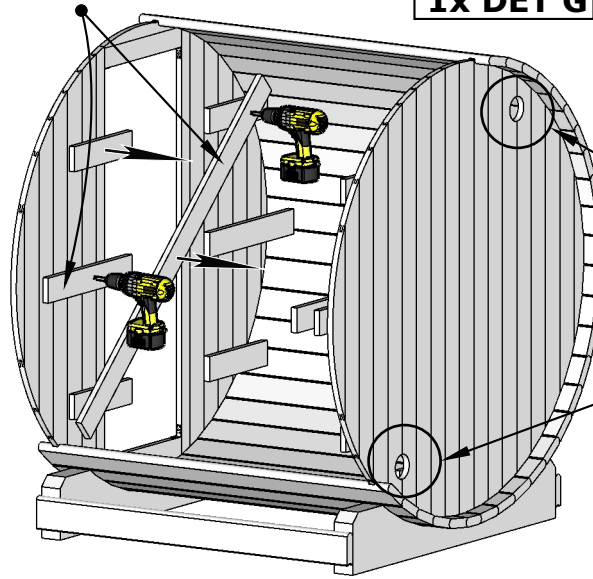
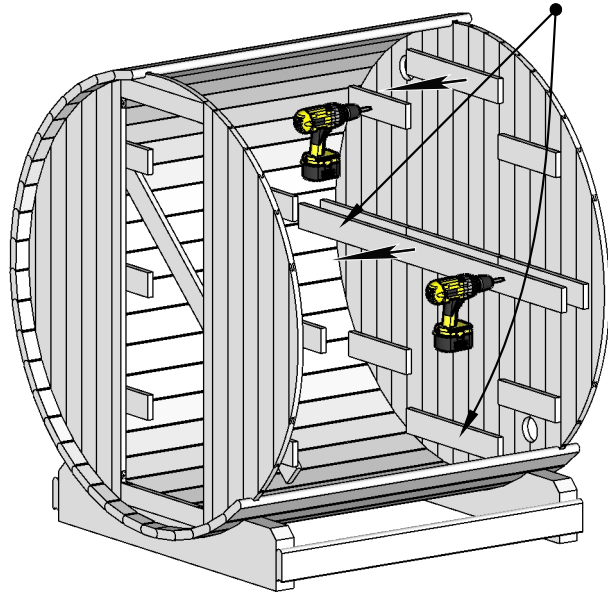
# E7G Barrel Sauna 71D" x 81H"



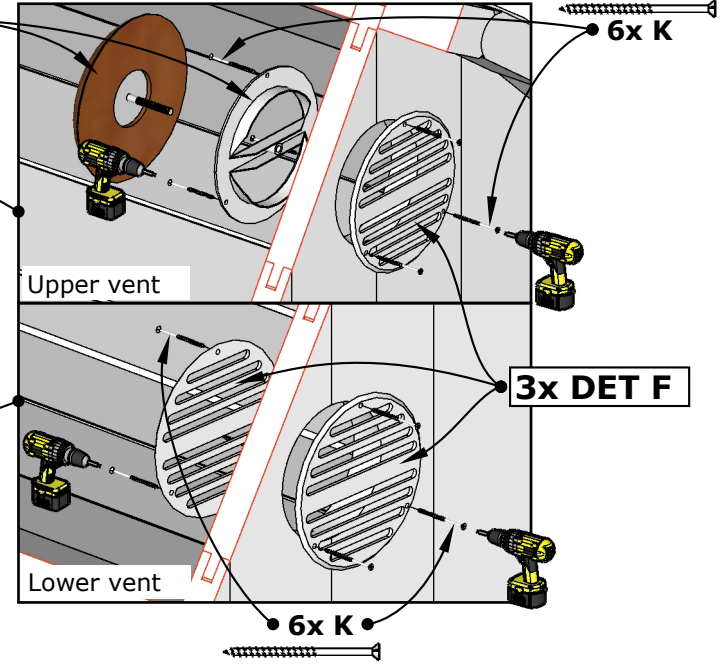


# E7G Barrel Sauna 71D" x 81H"

Remove all temporary braces



1x DET G



Upper vent

Lower vent

3x DET F

6x K

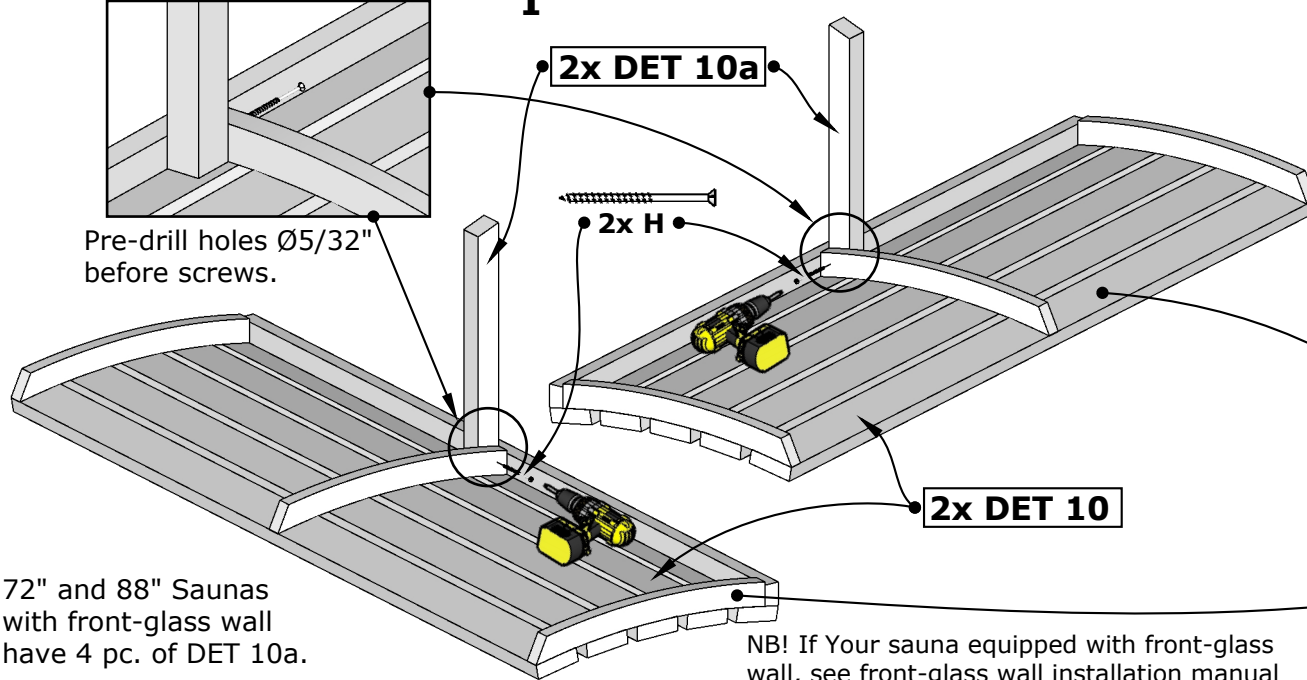
I

2x DET 10a

2x H

2x DET 10

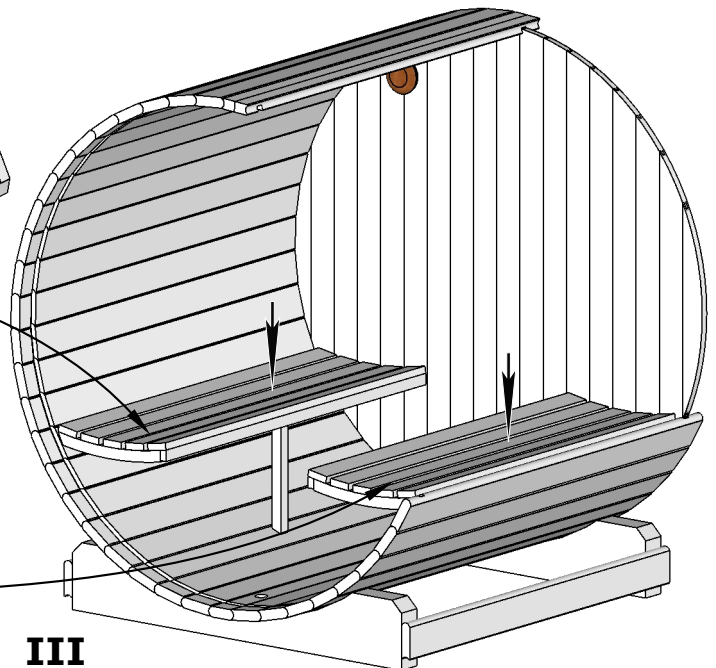
Pre-drill holes  $\varnothing 5/32"$  before screws.



72" and 88" Saunas with front-glass wall have 4 pc. of DET 10a.

NB! If Your sauna equipped with front-glass wall, see front-glass wall installation manual for proper benches installation.

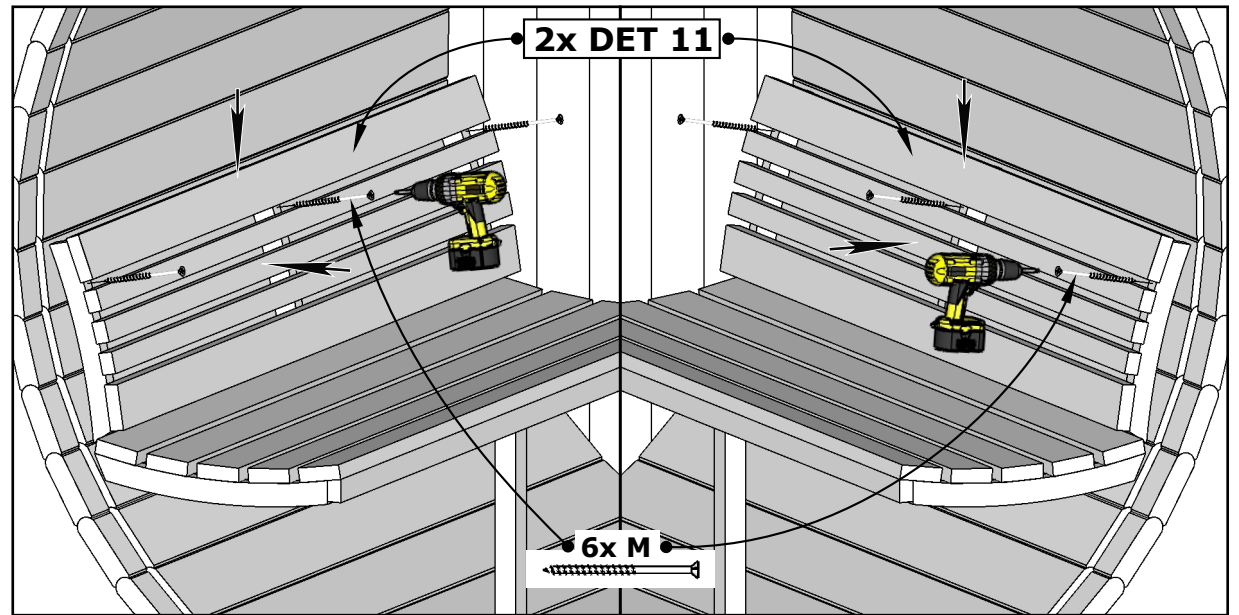
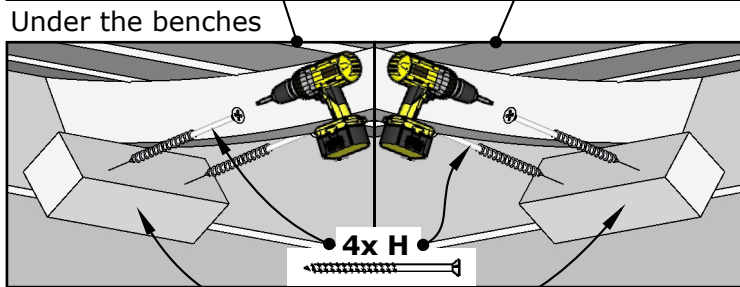
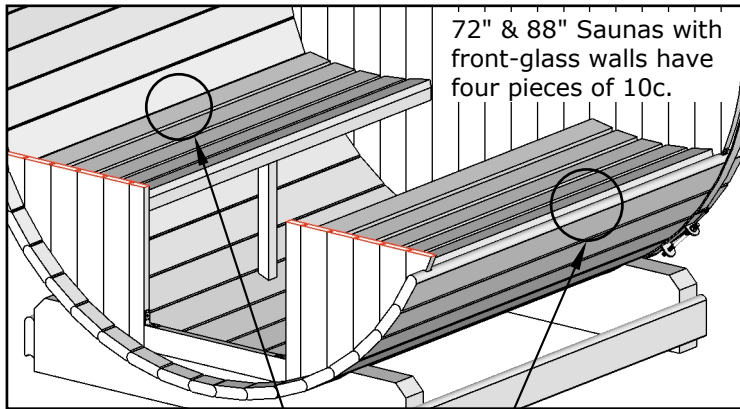
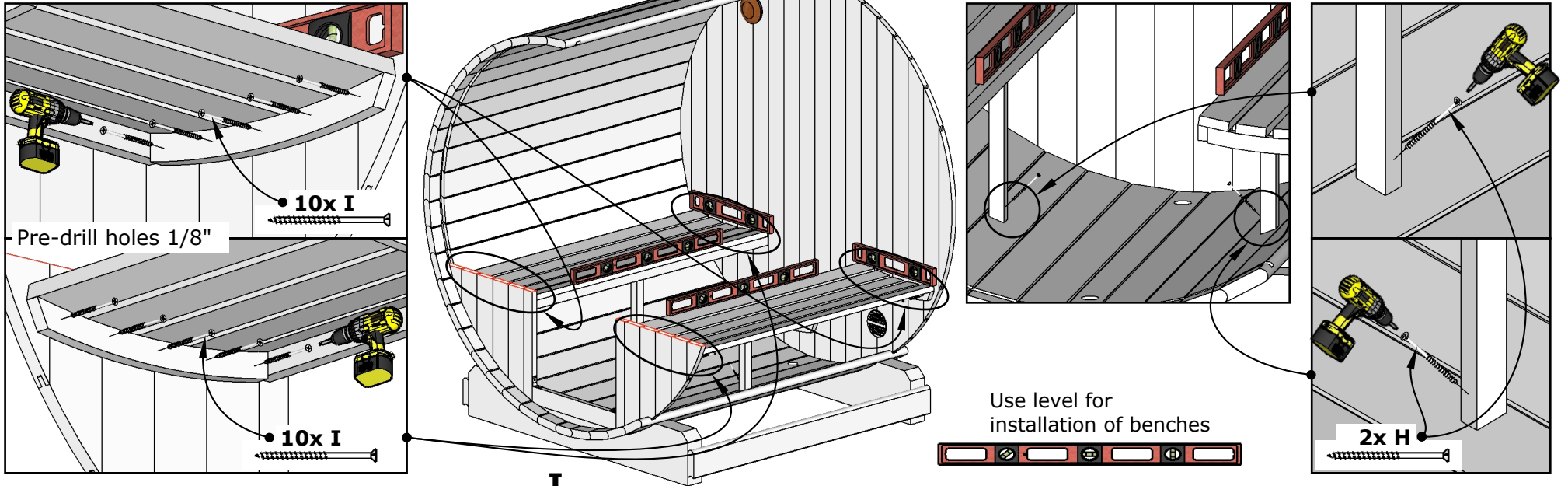
III



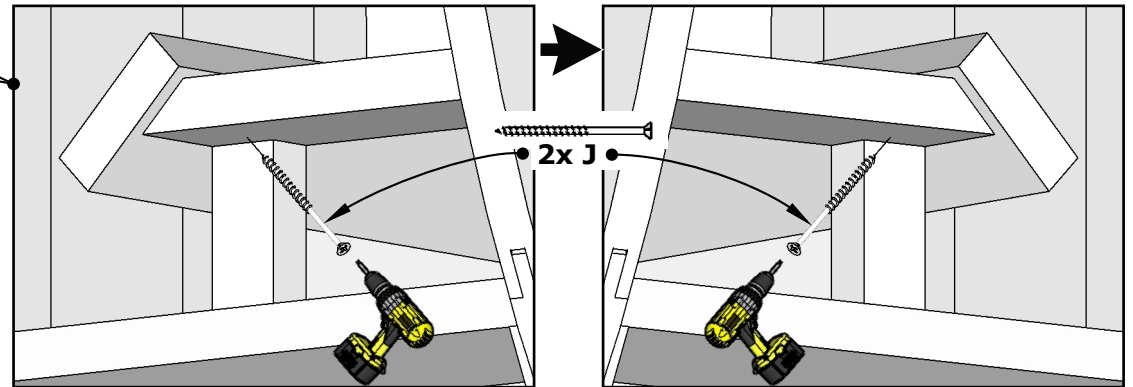
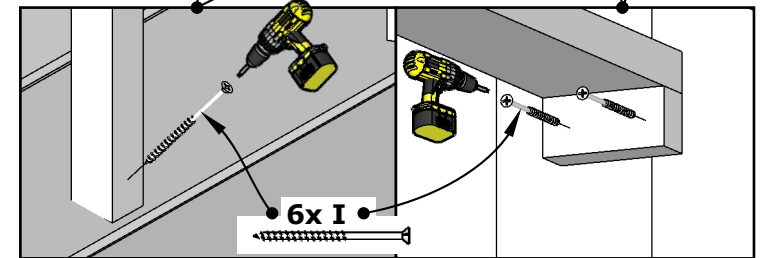
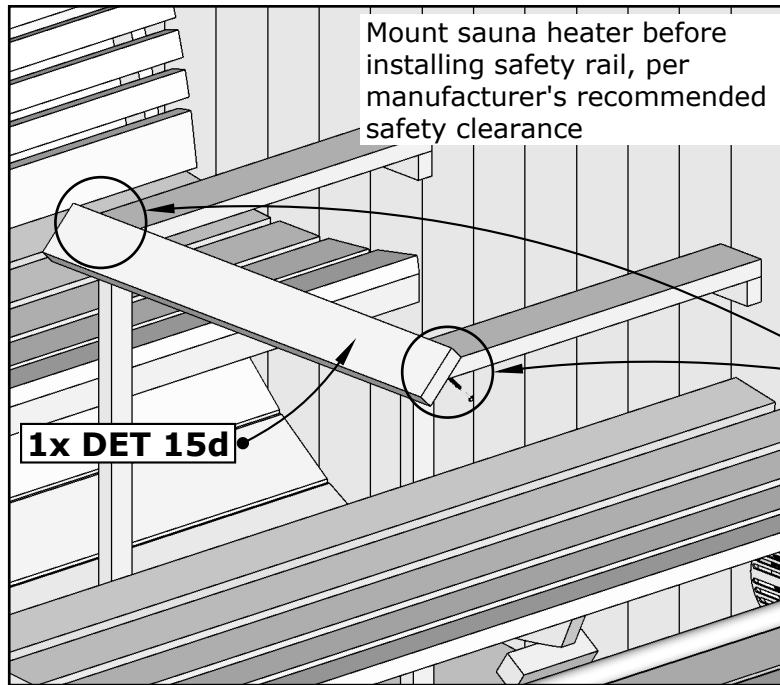
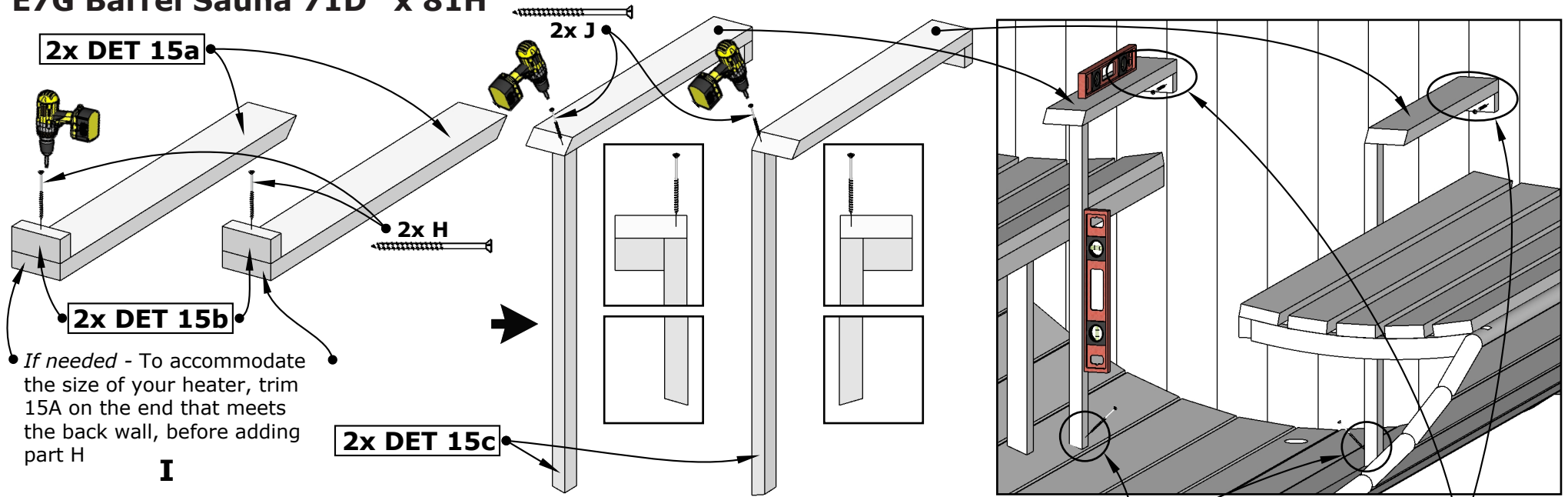
8.

II

# E7G Barrel Sauna 71D" x 81H"

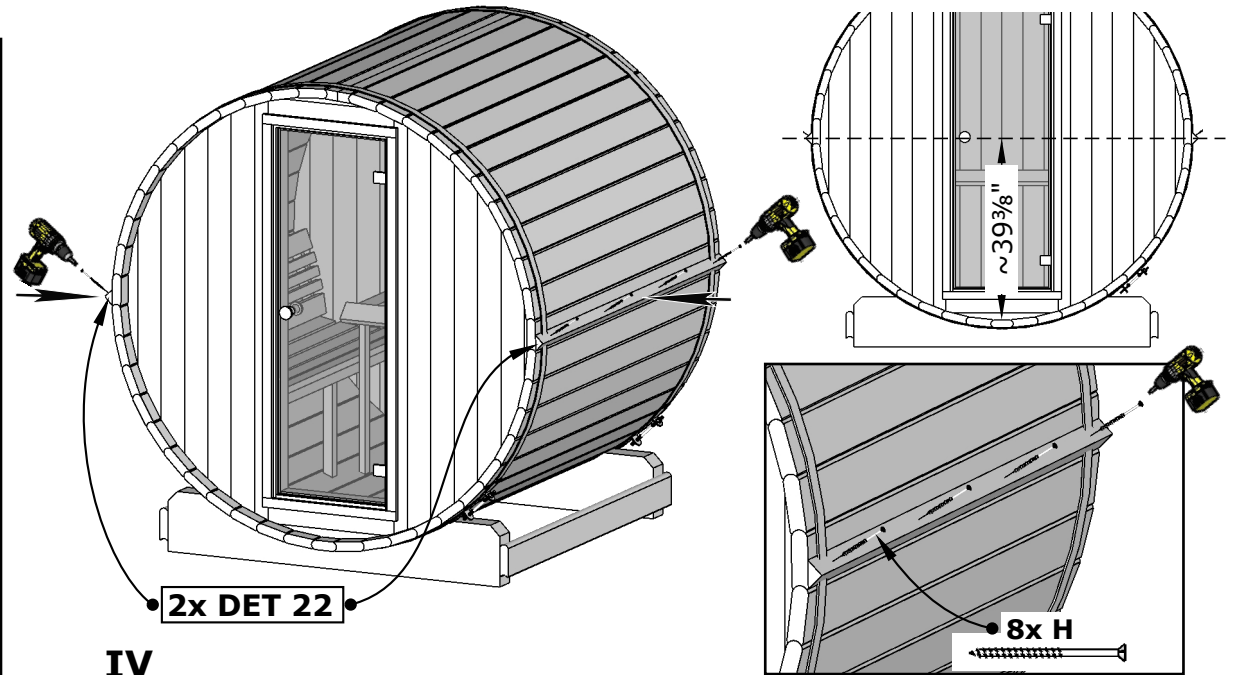
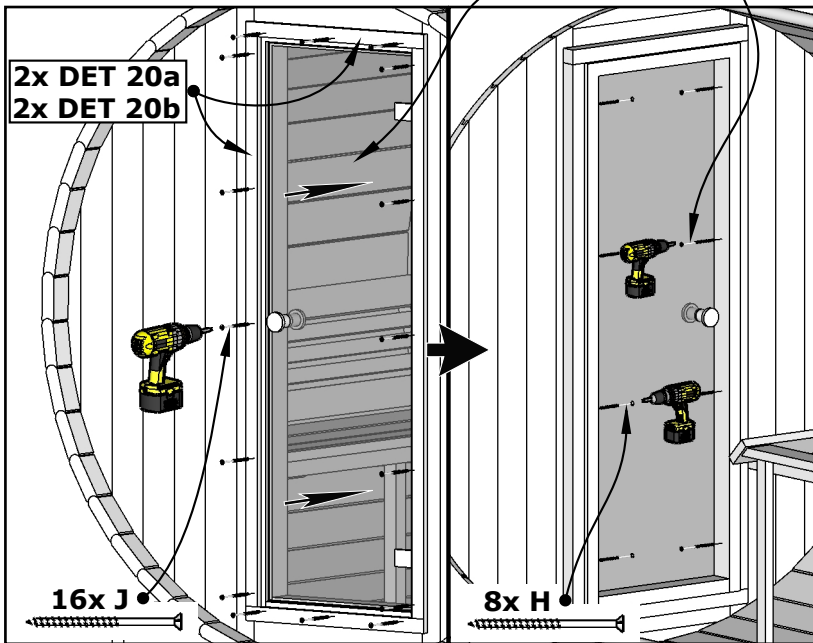
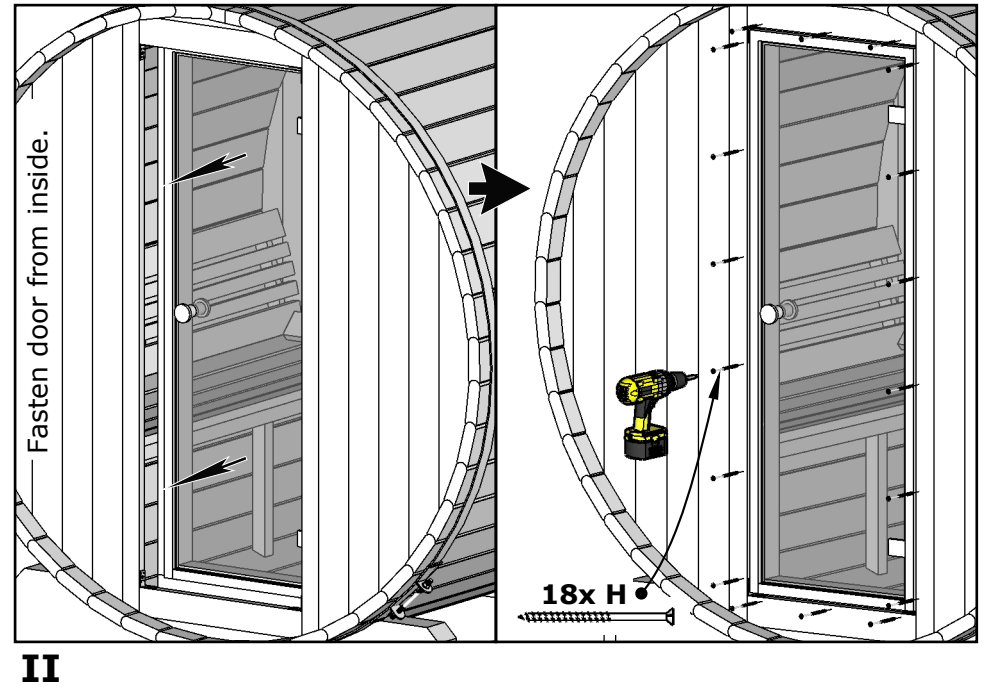
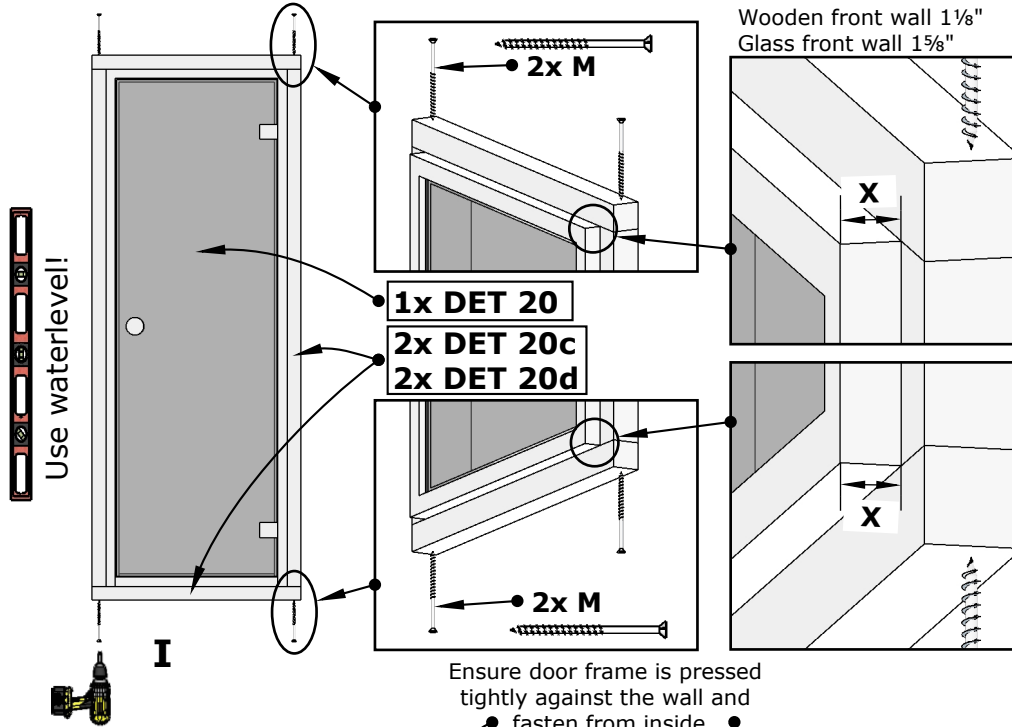


# E7G Barrel Sauna 71D" x 81H"



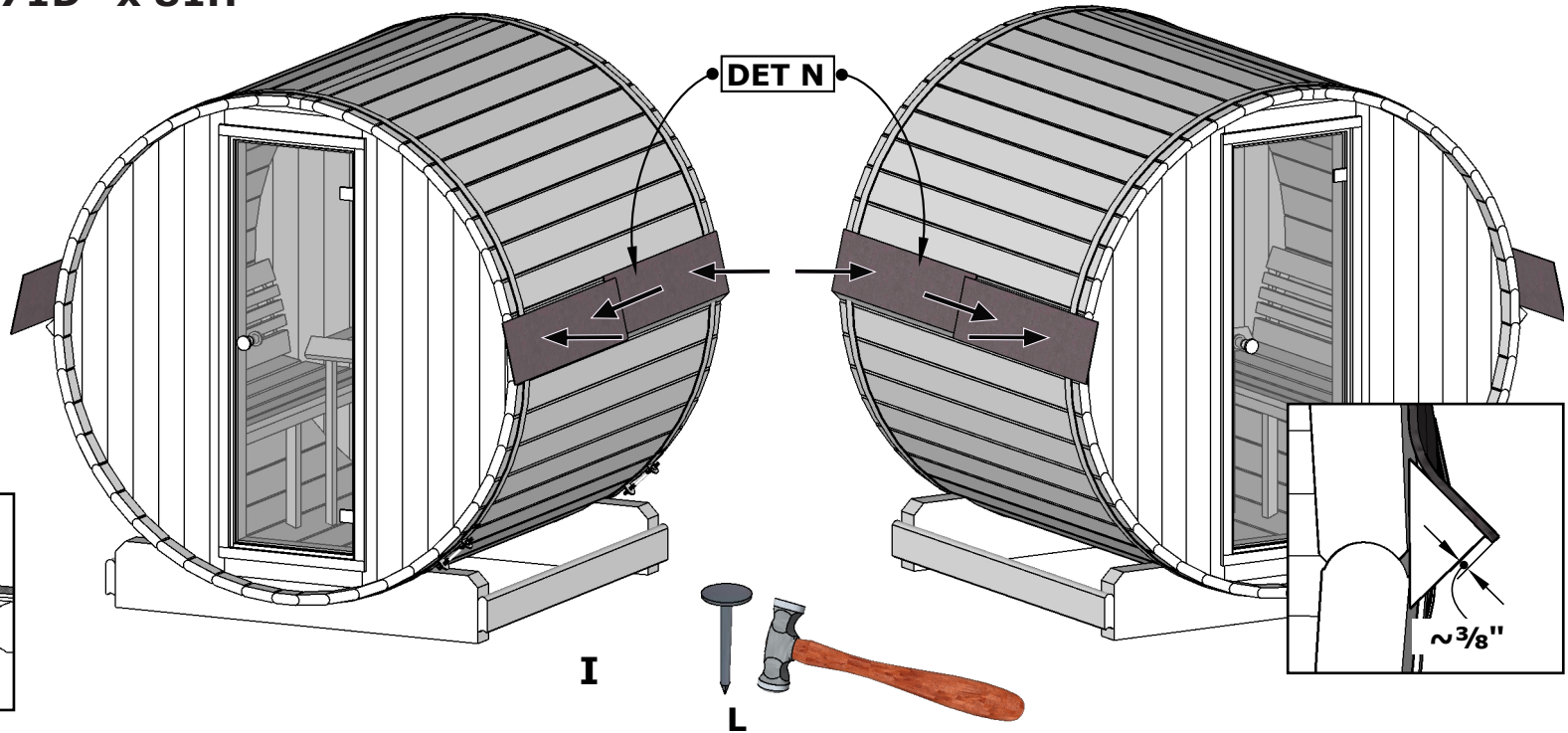
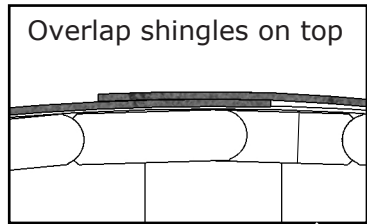
# E7G Barrel Sauna 71D" x 81H"

X= Front wall thickness  
 Wooden front wall 1 1/8"  
 Glass front wall 1 5/8"

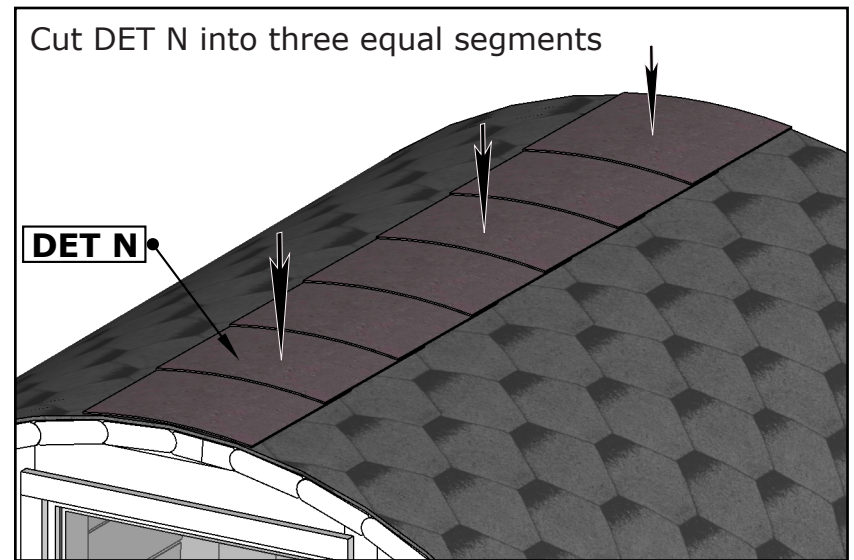
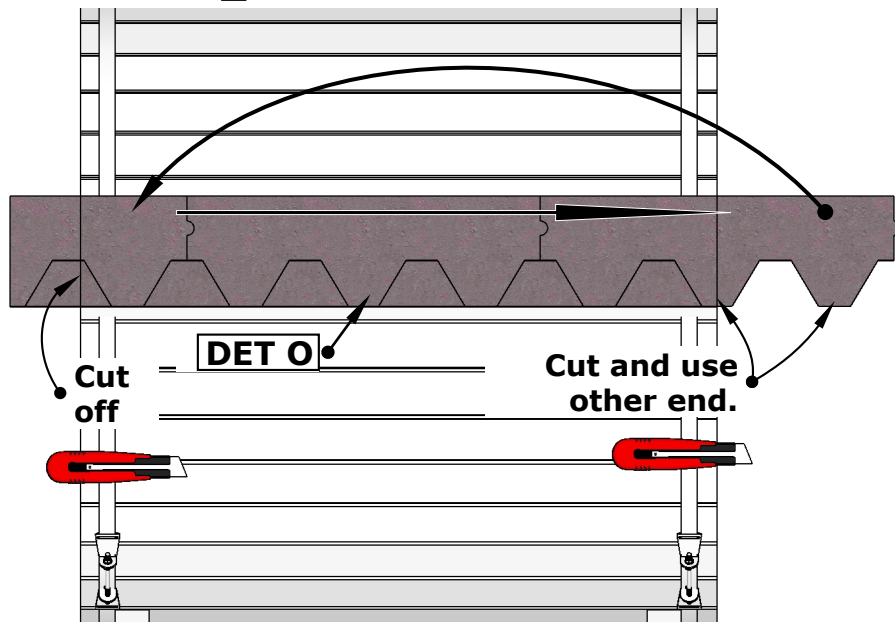


# E7G Barrel Sauna 71D" x 81H"

See the installation manual inside the shingles package



Check also roof shingles installation manual inside package.



# E7G Barrel Sauna 71D" x 81H"

