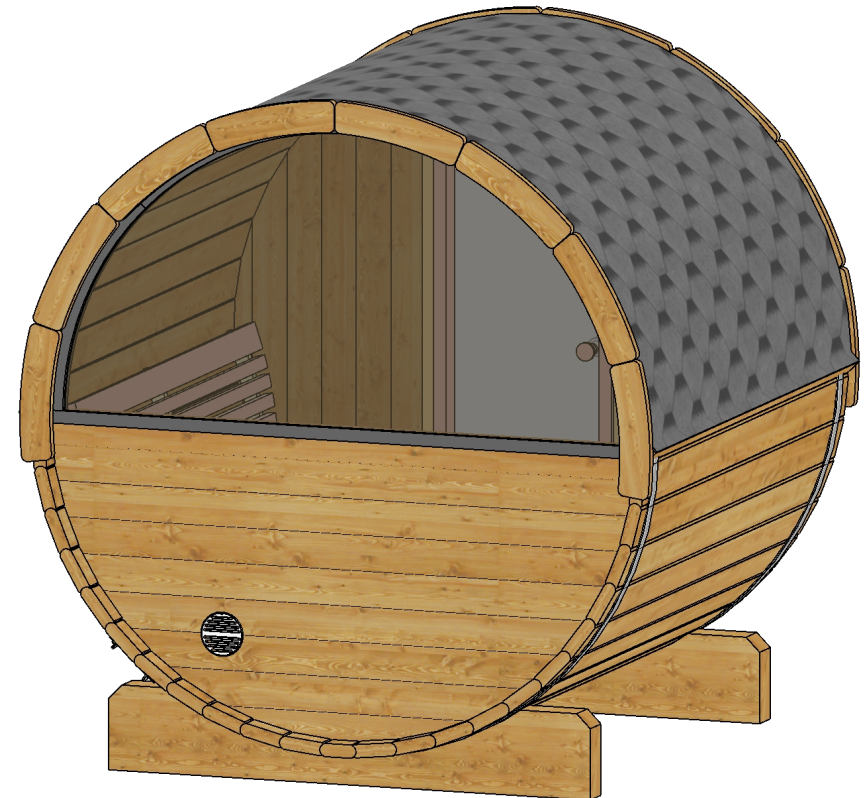




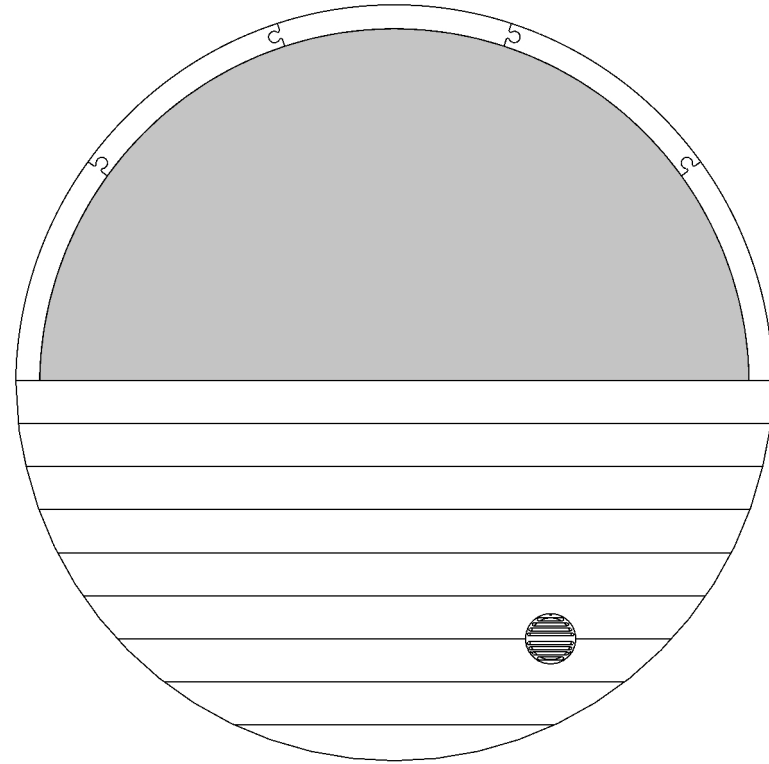
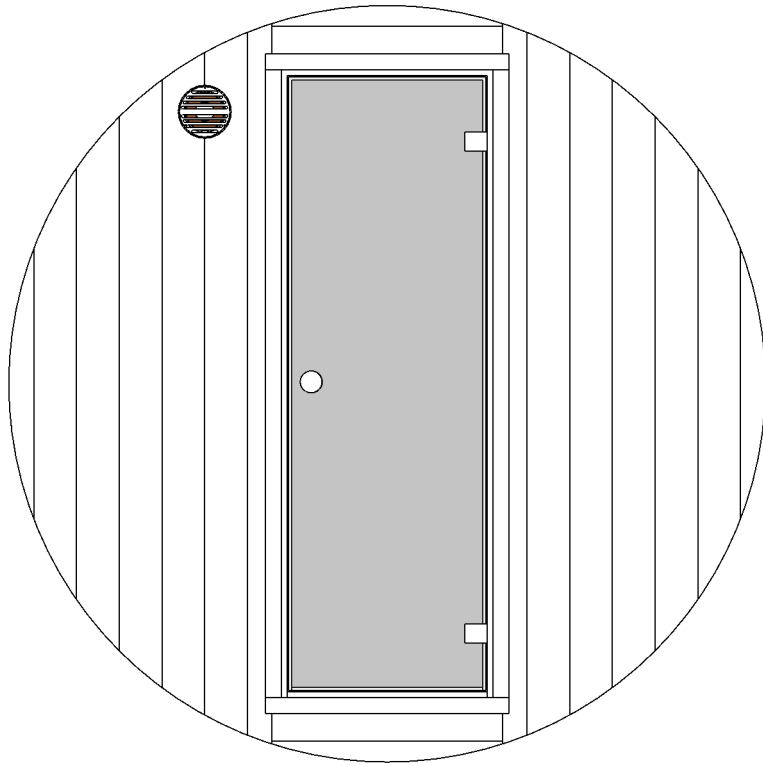
Ergo-Series E8W Barrel Sauna  
Half Glass Window 87D" x 81H"



Note: Please read manual before construction

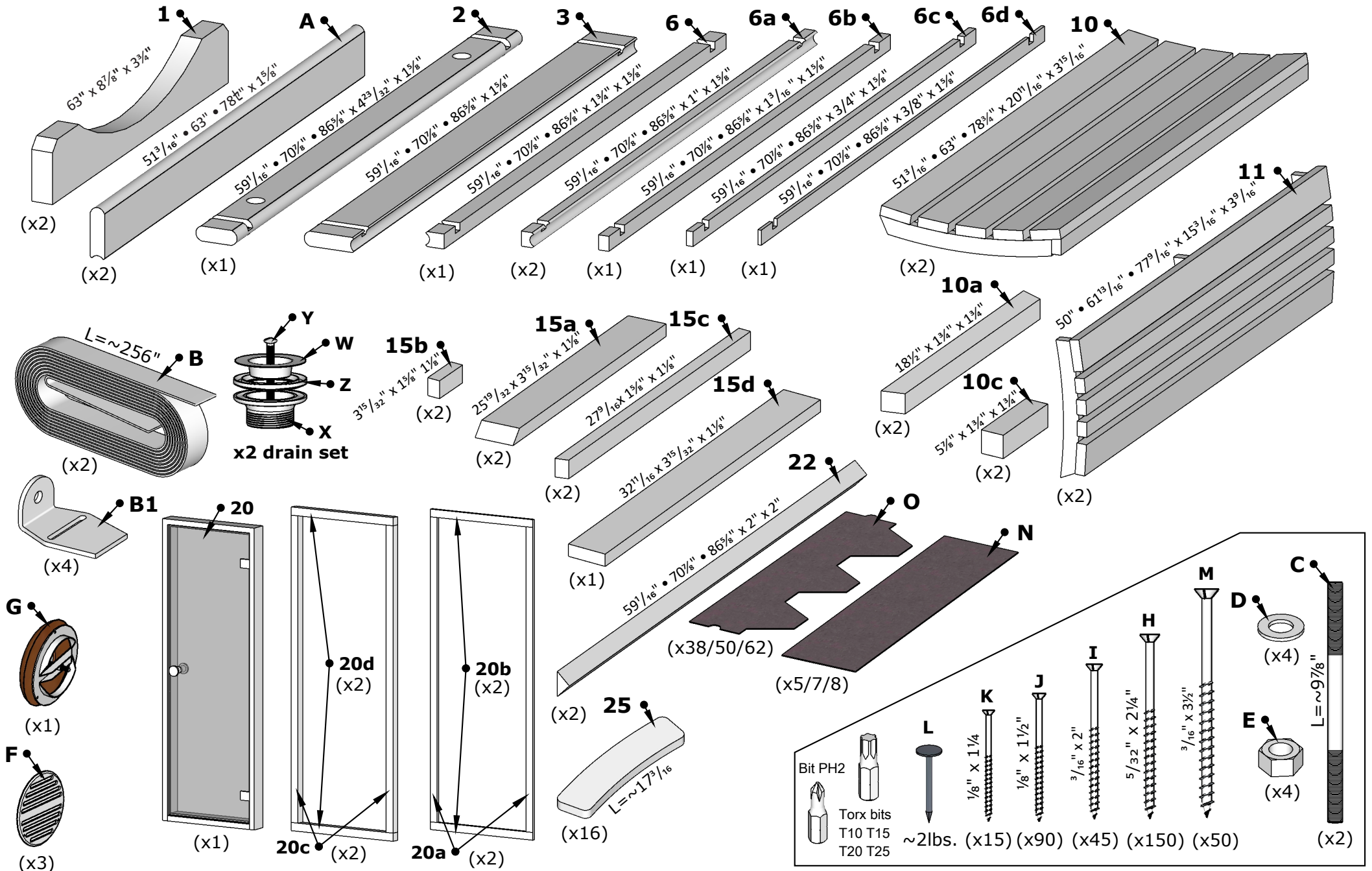
Rev 4/2023

# Front & Back Walls

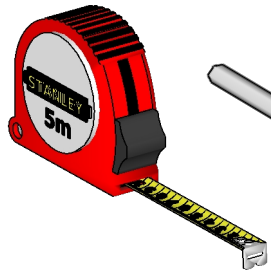


# E8W Barrel Sauna 87D" x 81H"

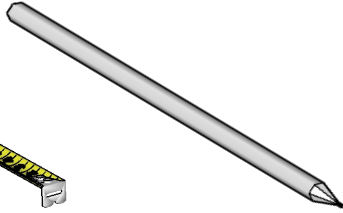
## Details list.



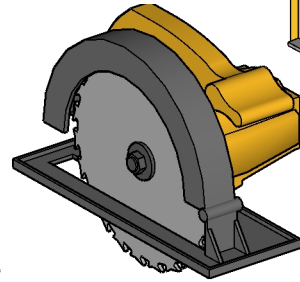
# Tools needed



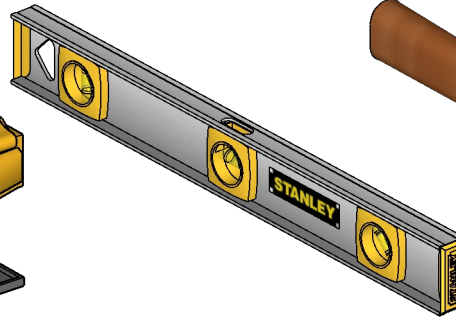
Measuring tape



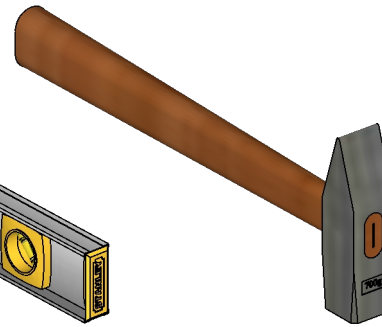
Marker pen



Circular saw



Water level



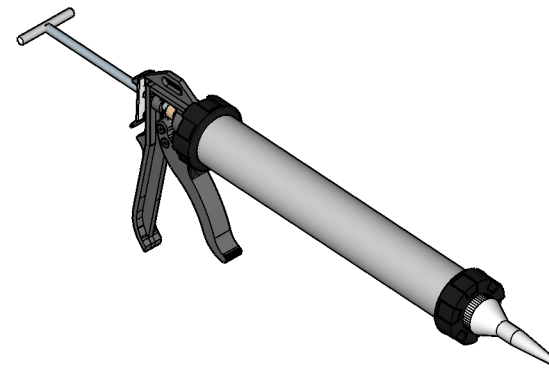
Hammer



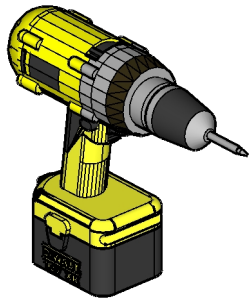
Extra hands



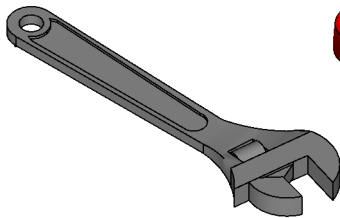
Ratchet strap



Silicone gun  
(Only glass-wall models)



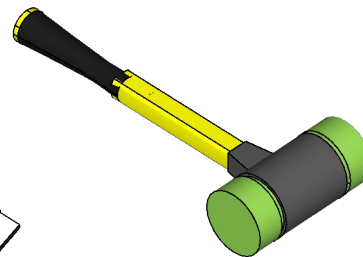
Drill



Crescent wrench

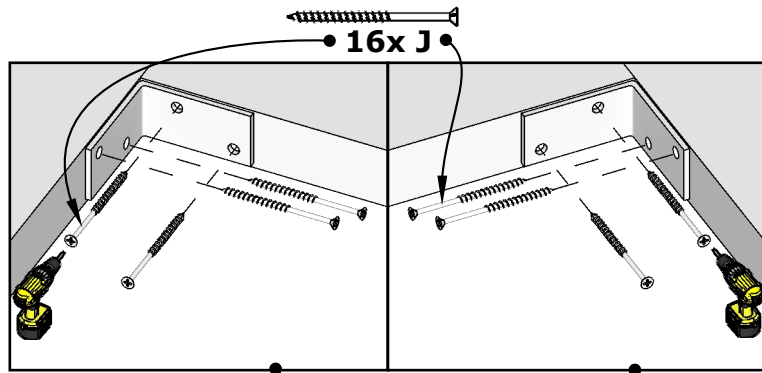
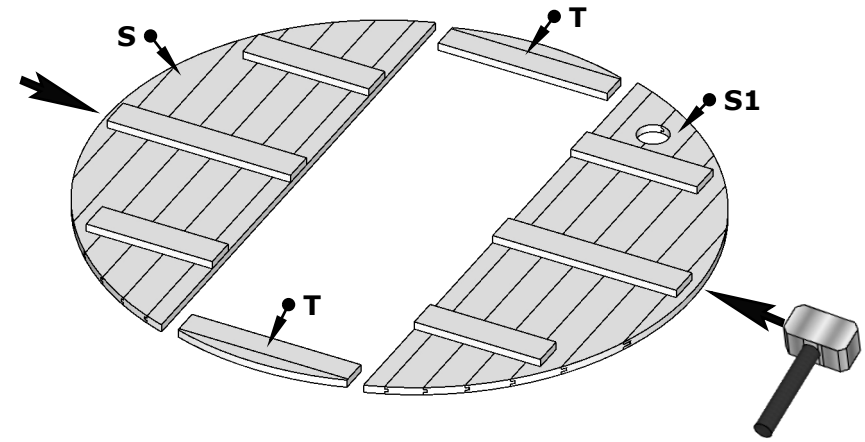
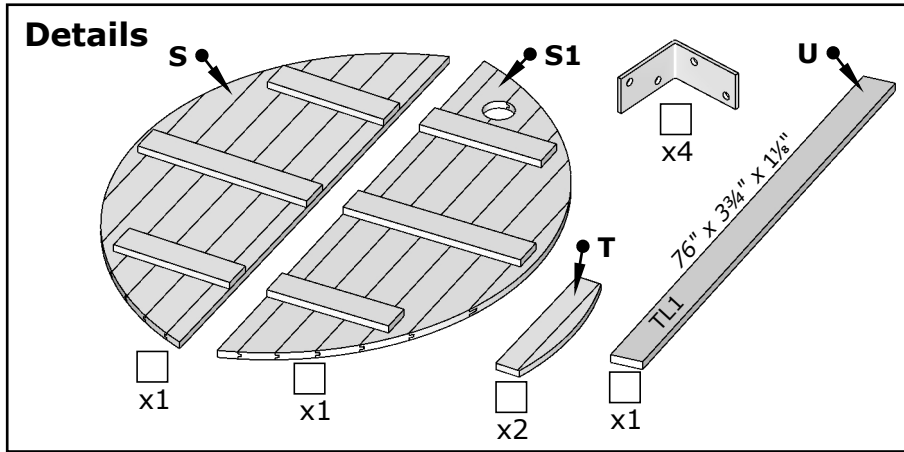


Utility knife

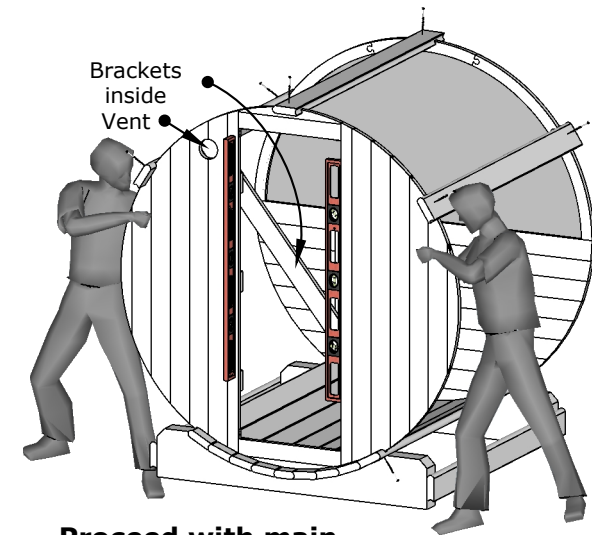
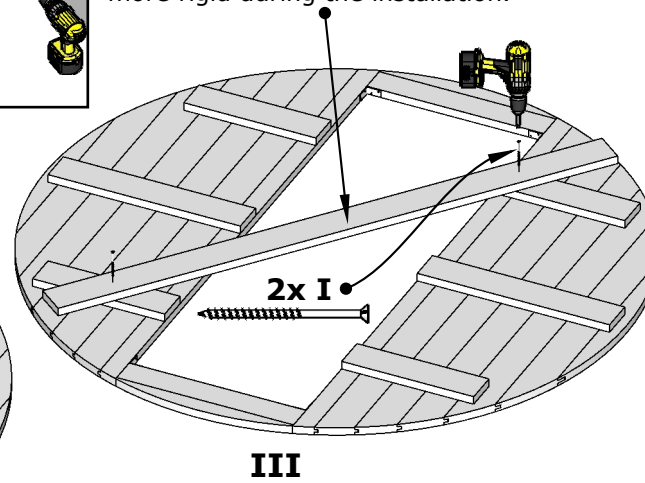
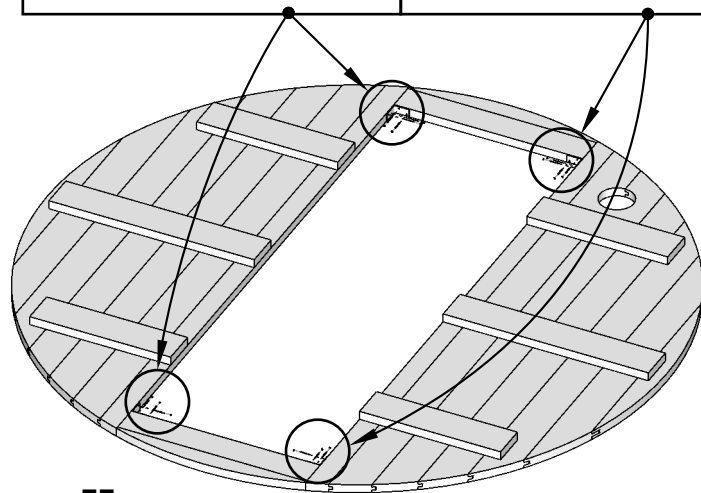


Rubber mallet

# Wooden front wall installation

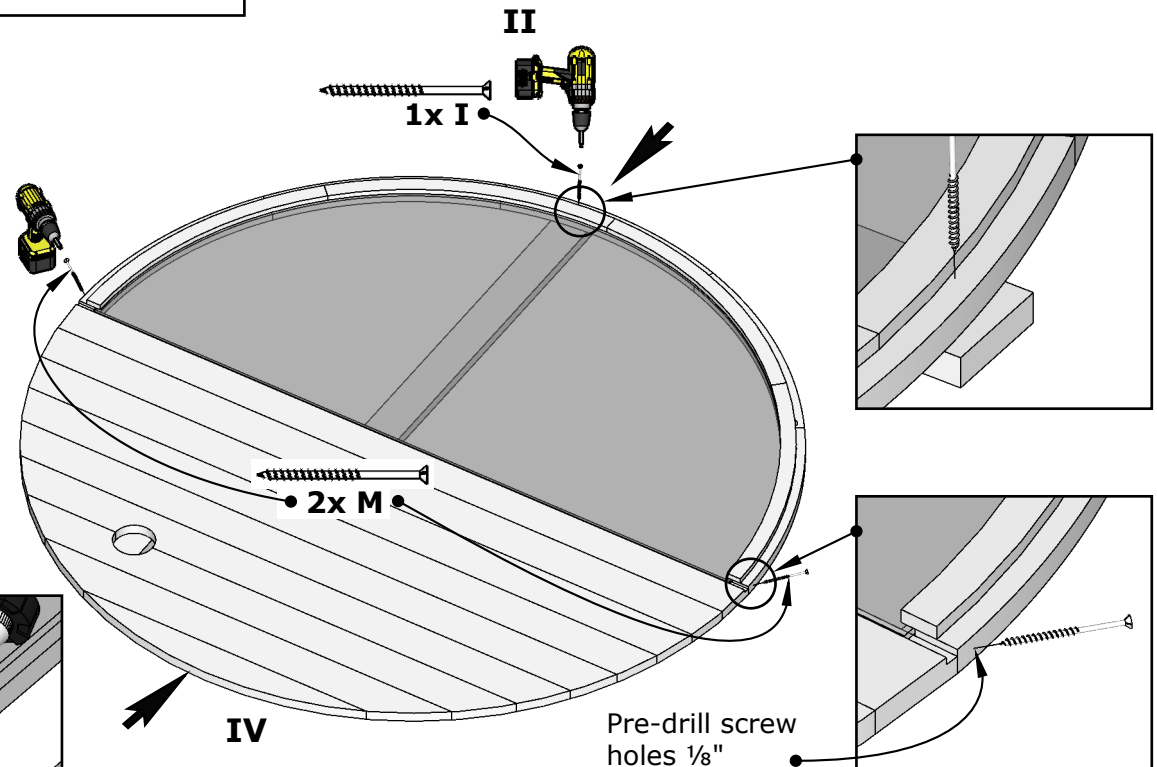
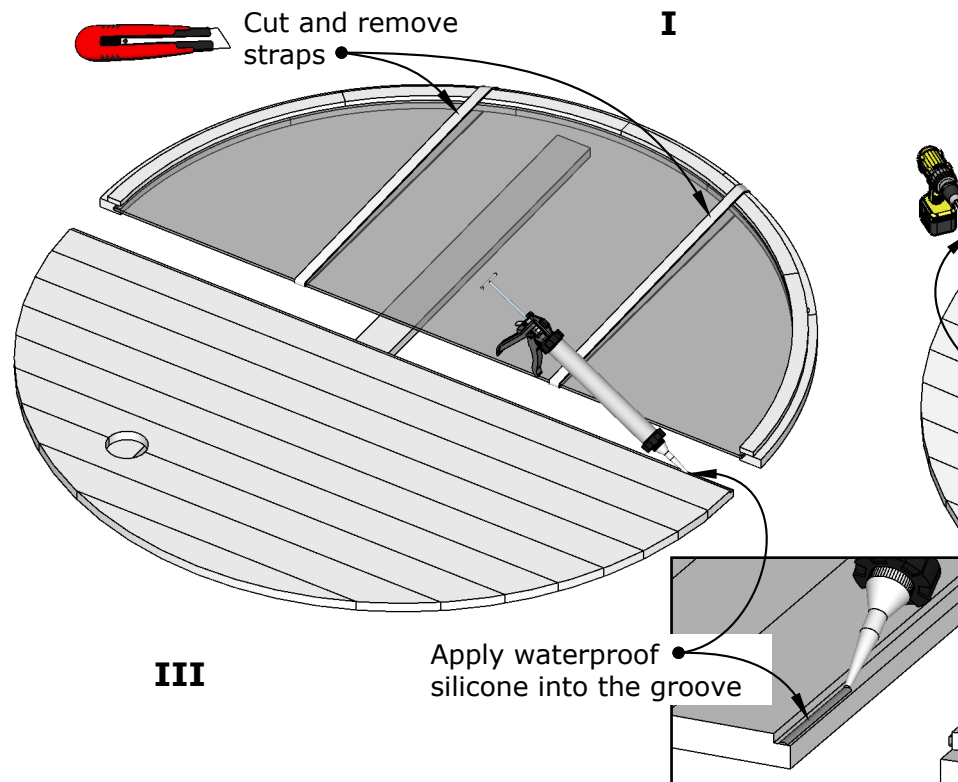
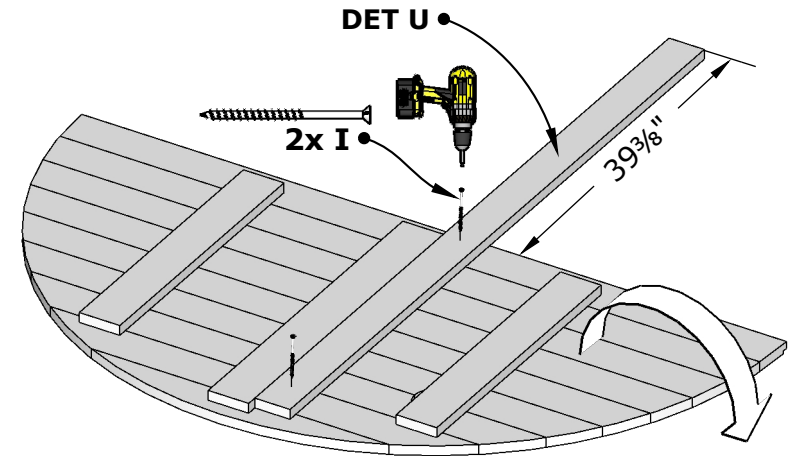
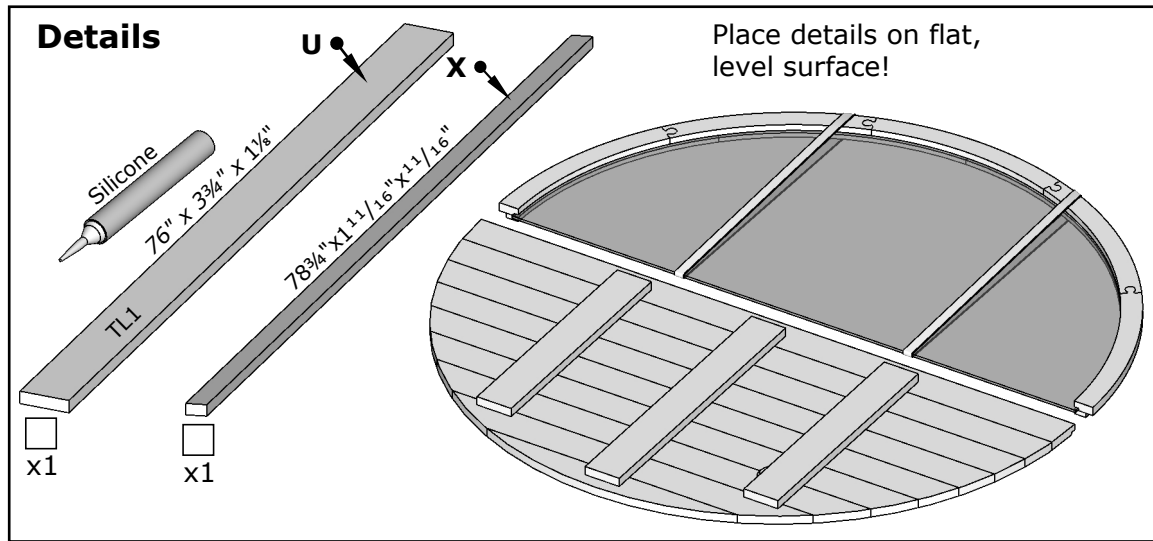


**DET U** Fix it diagonally to make wall more rigid during the installation.



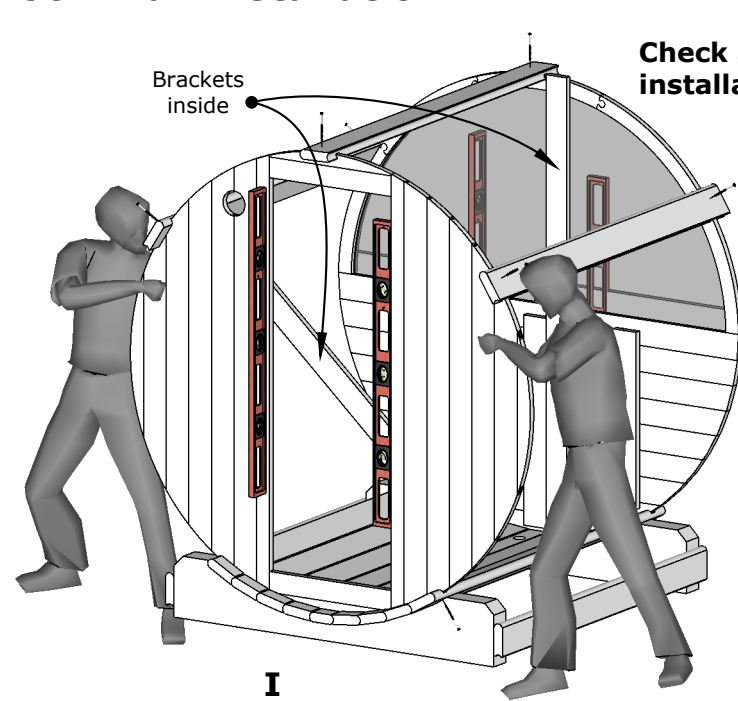
**Proceed with main installation manual!**

# Half-moon wall installation

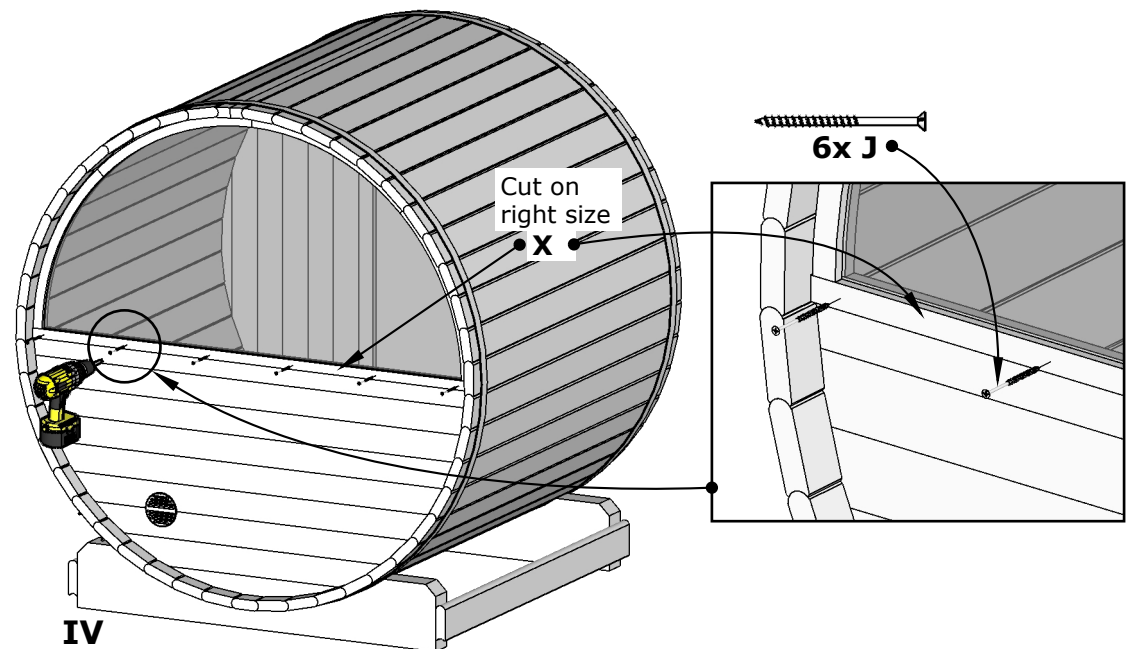
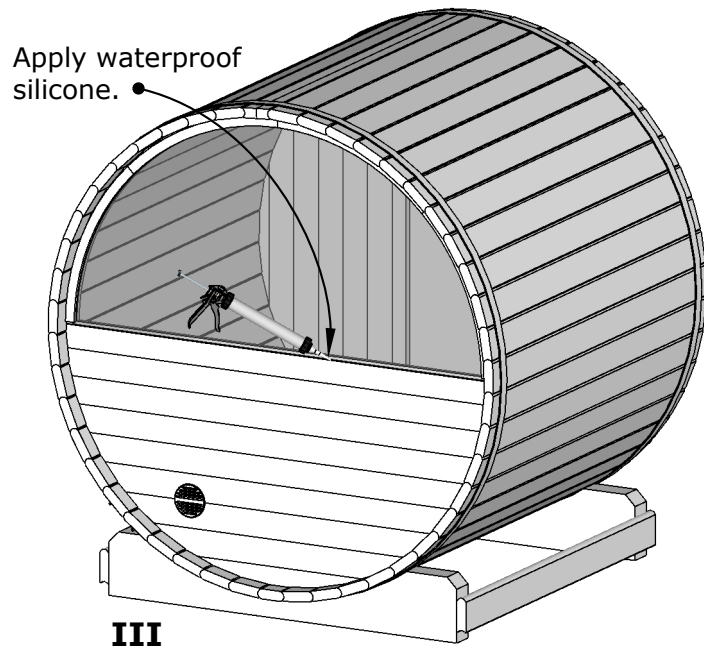
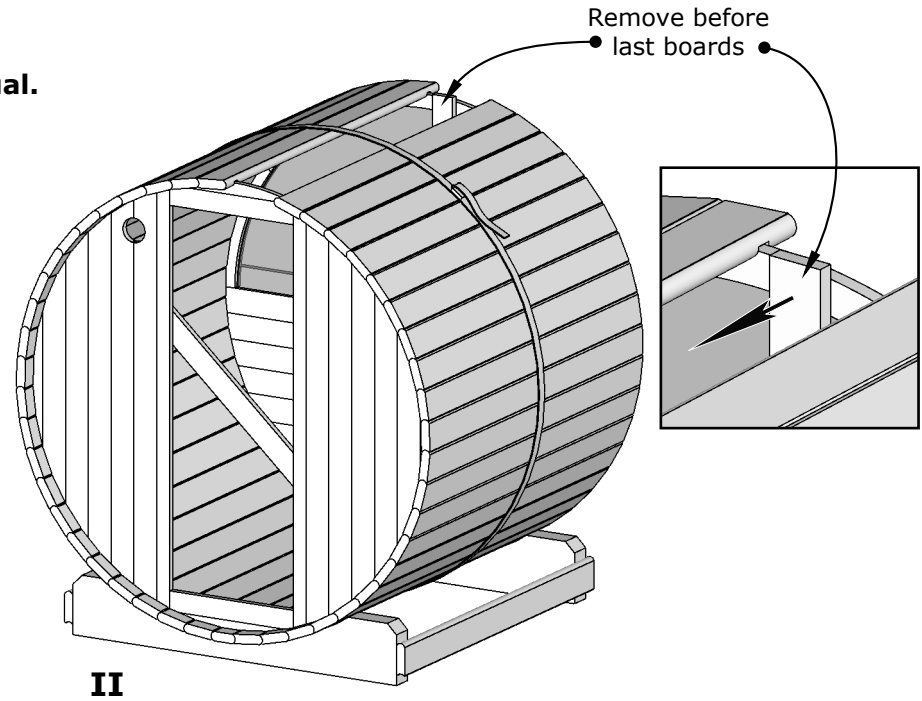


**WARNING:** Do not let screws touch glass!

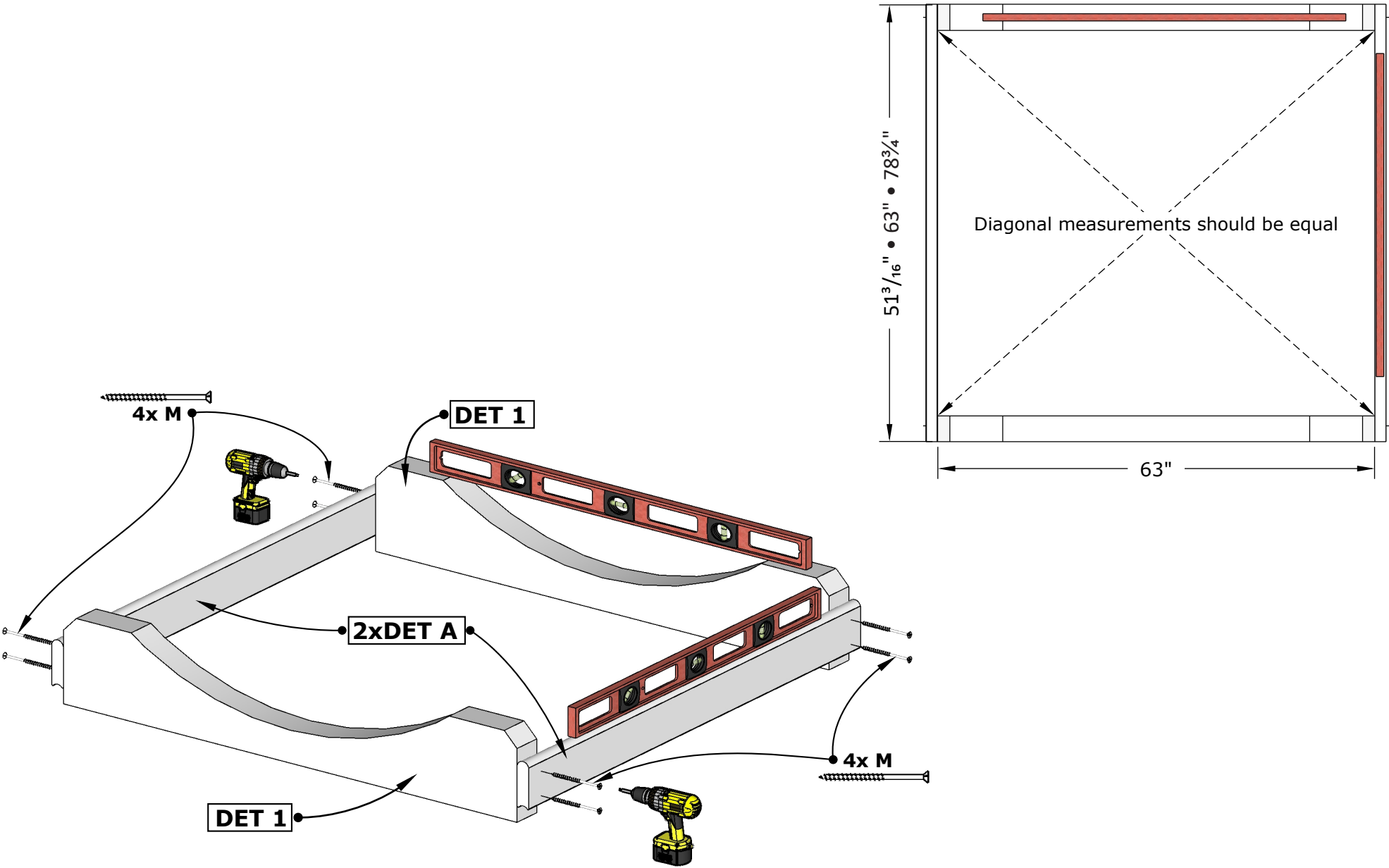
# Half-moon wall installation



Check also main installation manual.



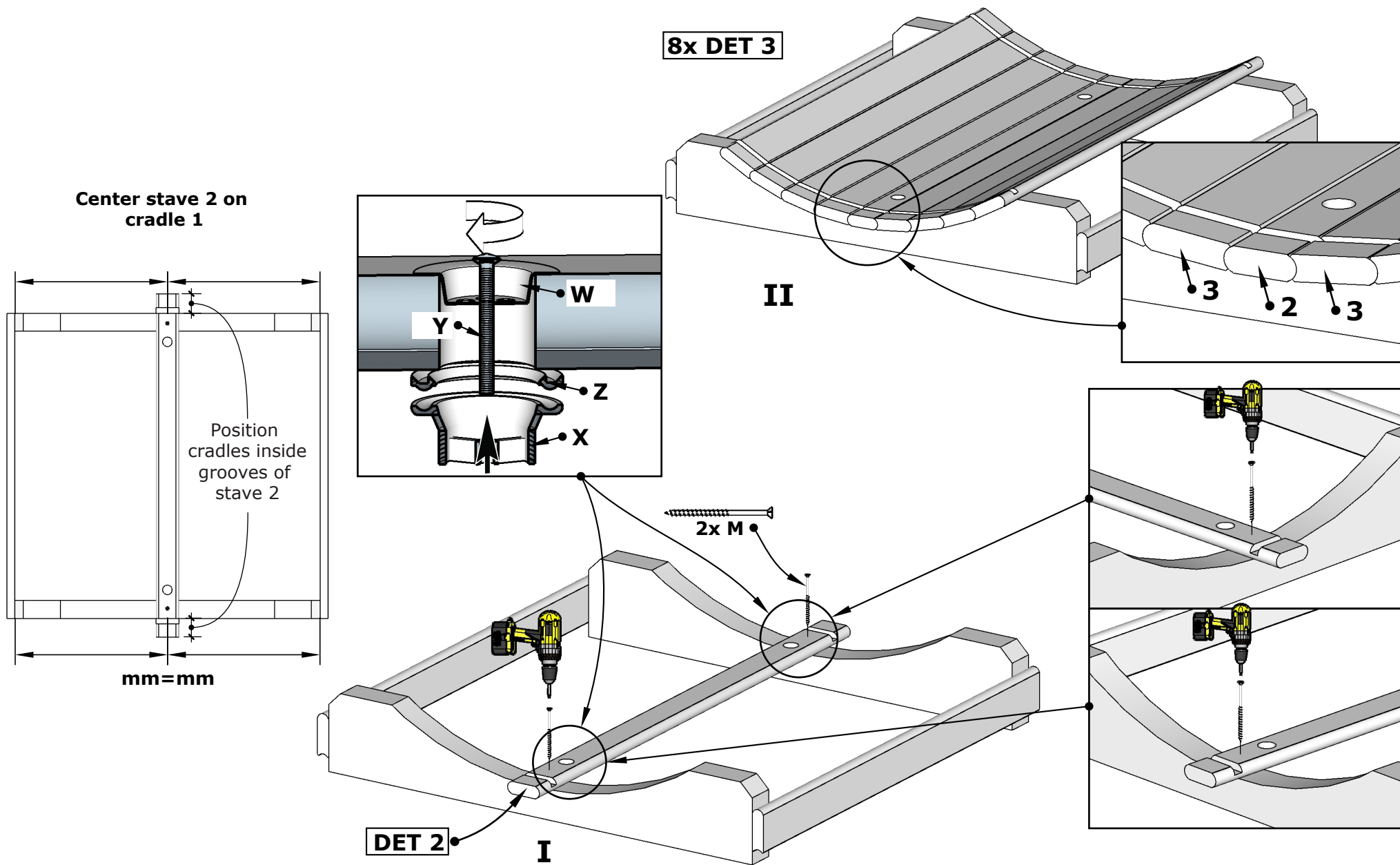
# E8W Barrel Sauna 87D" x 81H"



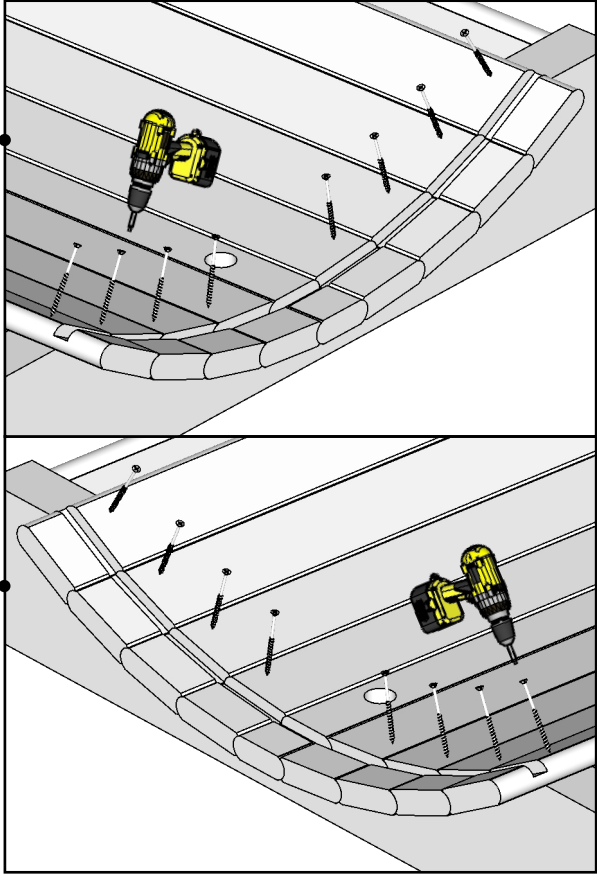
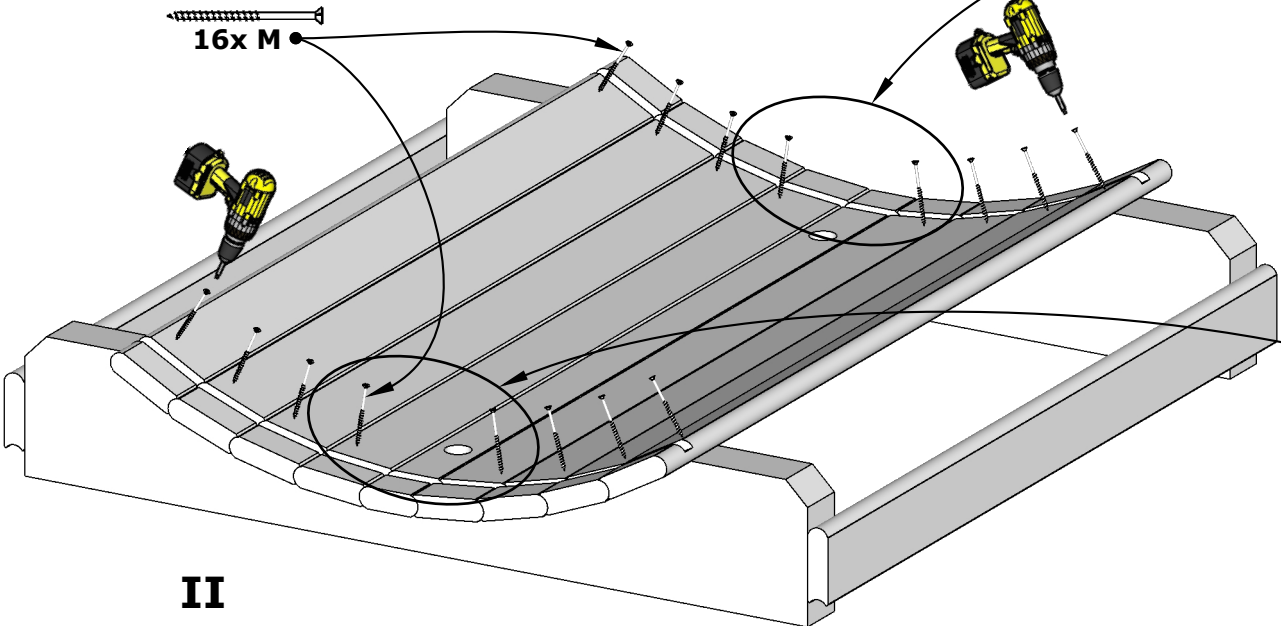
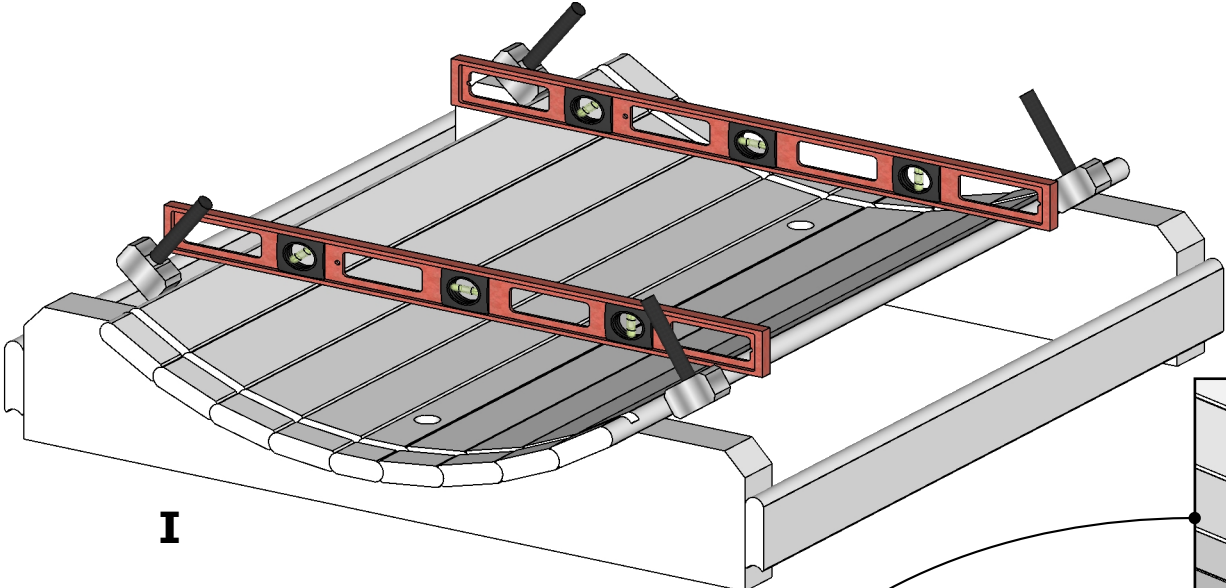
1.



# E8W Barrel Sauna 87D" x 81H"



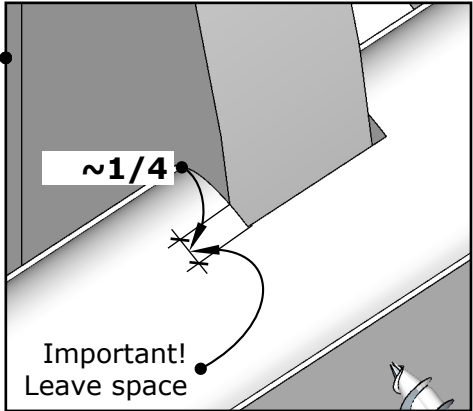
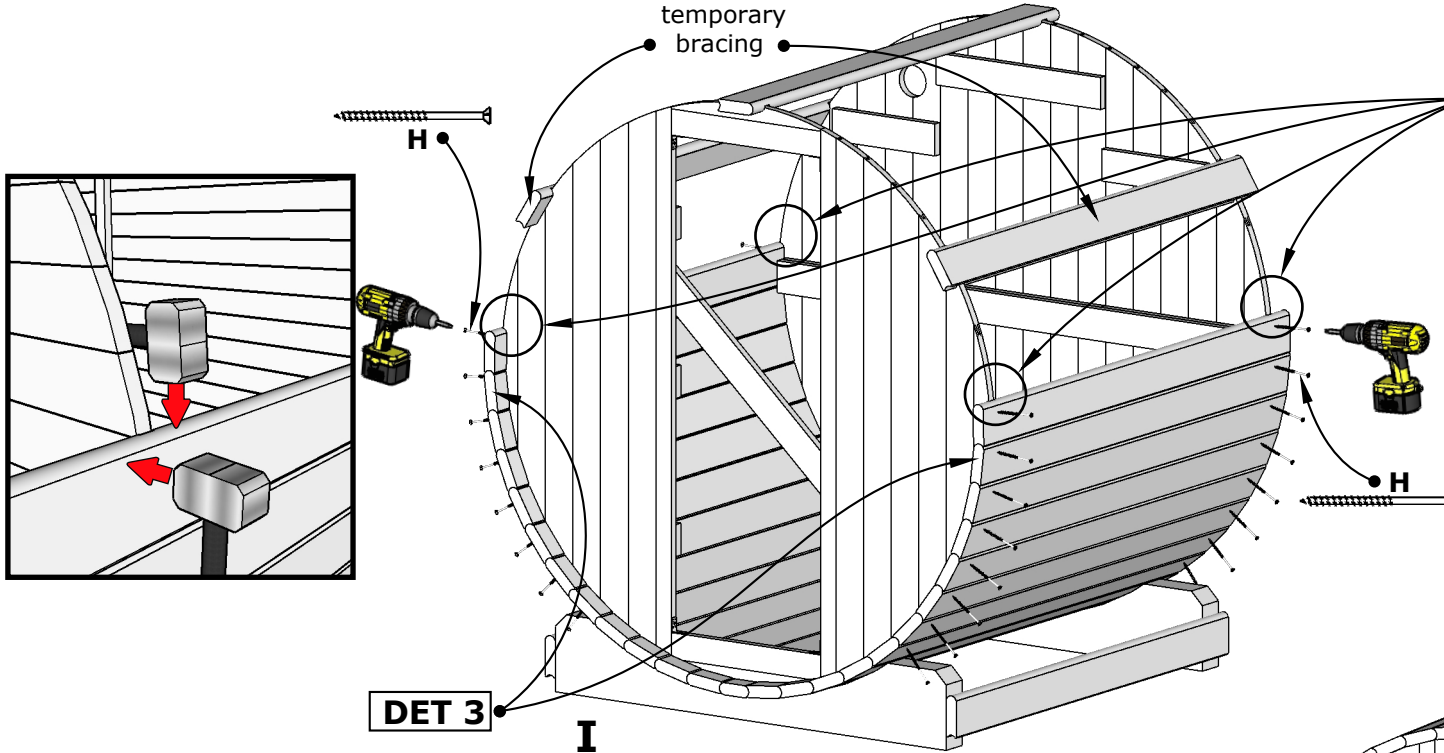
# E8W Barrel Sauna 87D" x 81H"





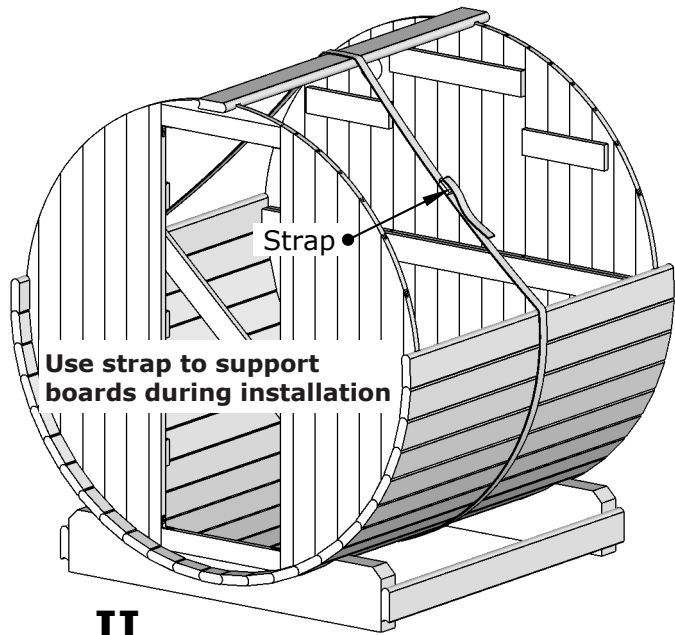
# E8W Barrel Sauna 87D" x 81H"

Remove temporary bracing



**IMPORTANT!** Be sure to leave a 1/4" gap when tightening screws to leave room for adjustment when the outer bands (B) are installed.

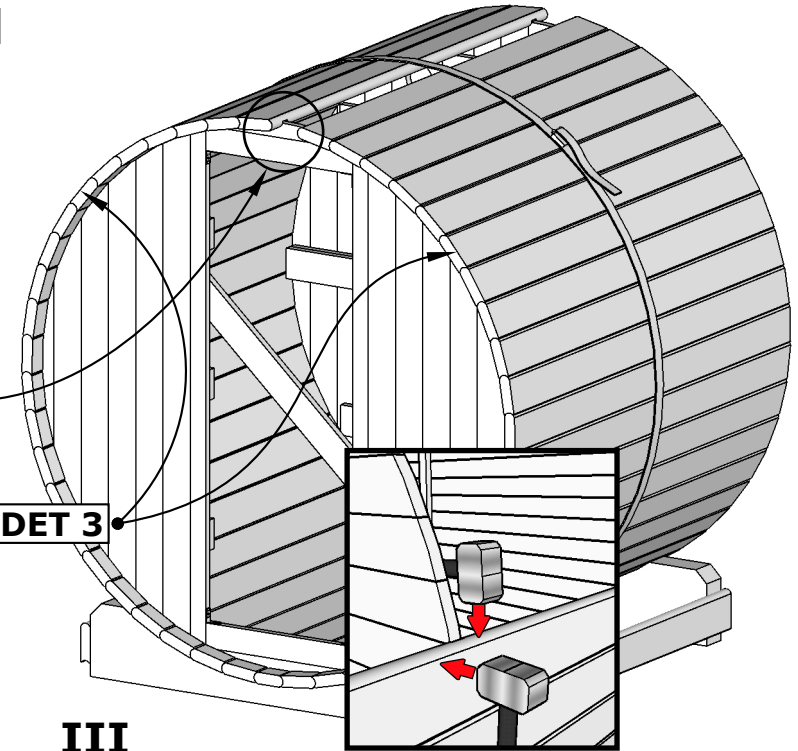
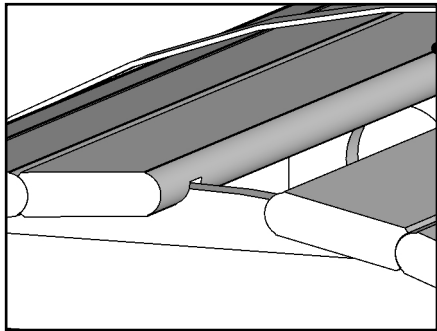
**DET 3**  
**I**



Use strap to support boards during installation

**II**

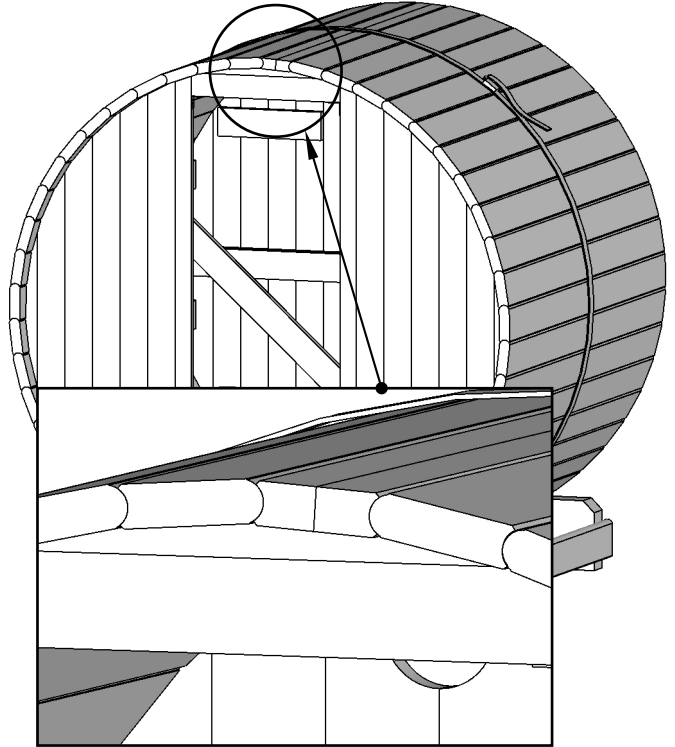
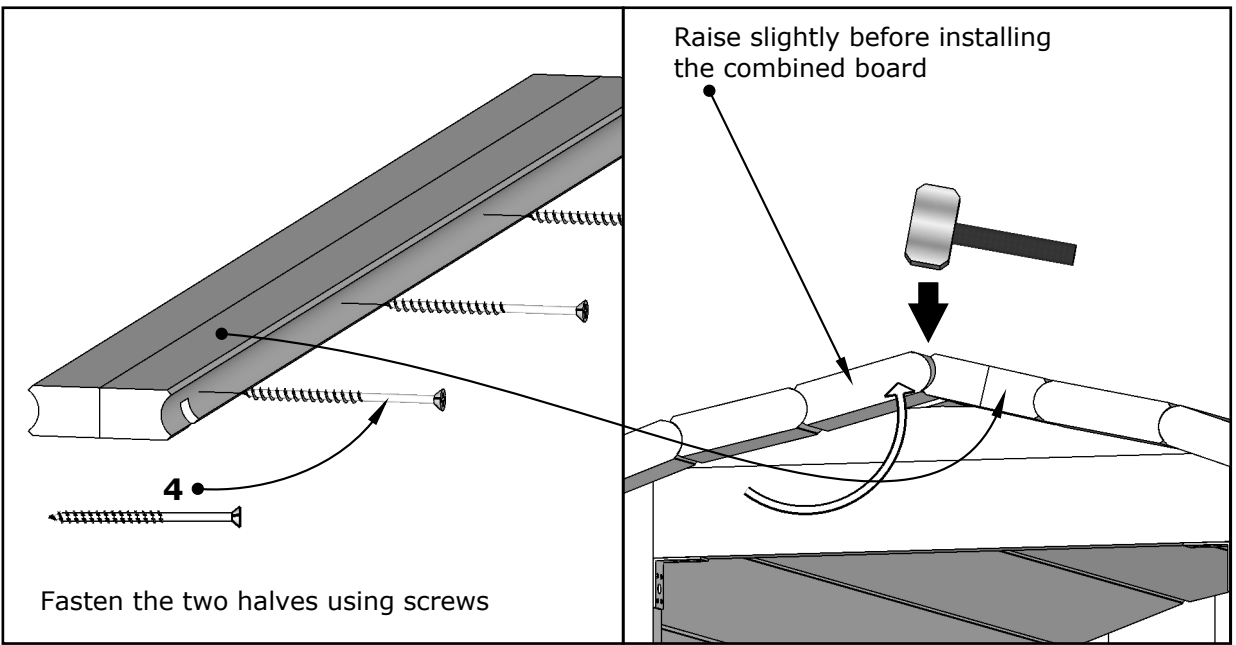
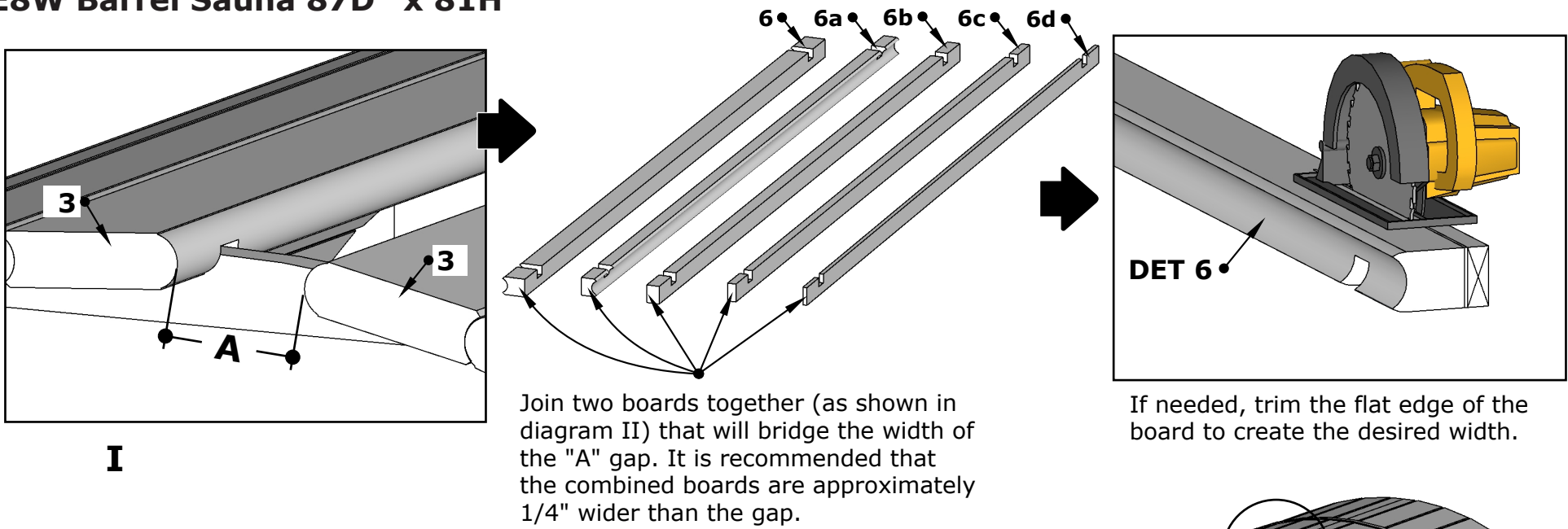
See the next page.



**DET 3**

**III**

# E8W Barrel Sauna 87D" x 81H"

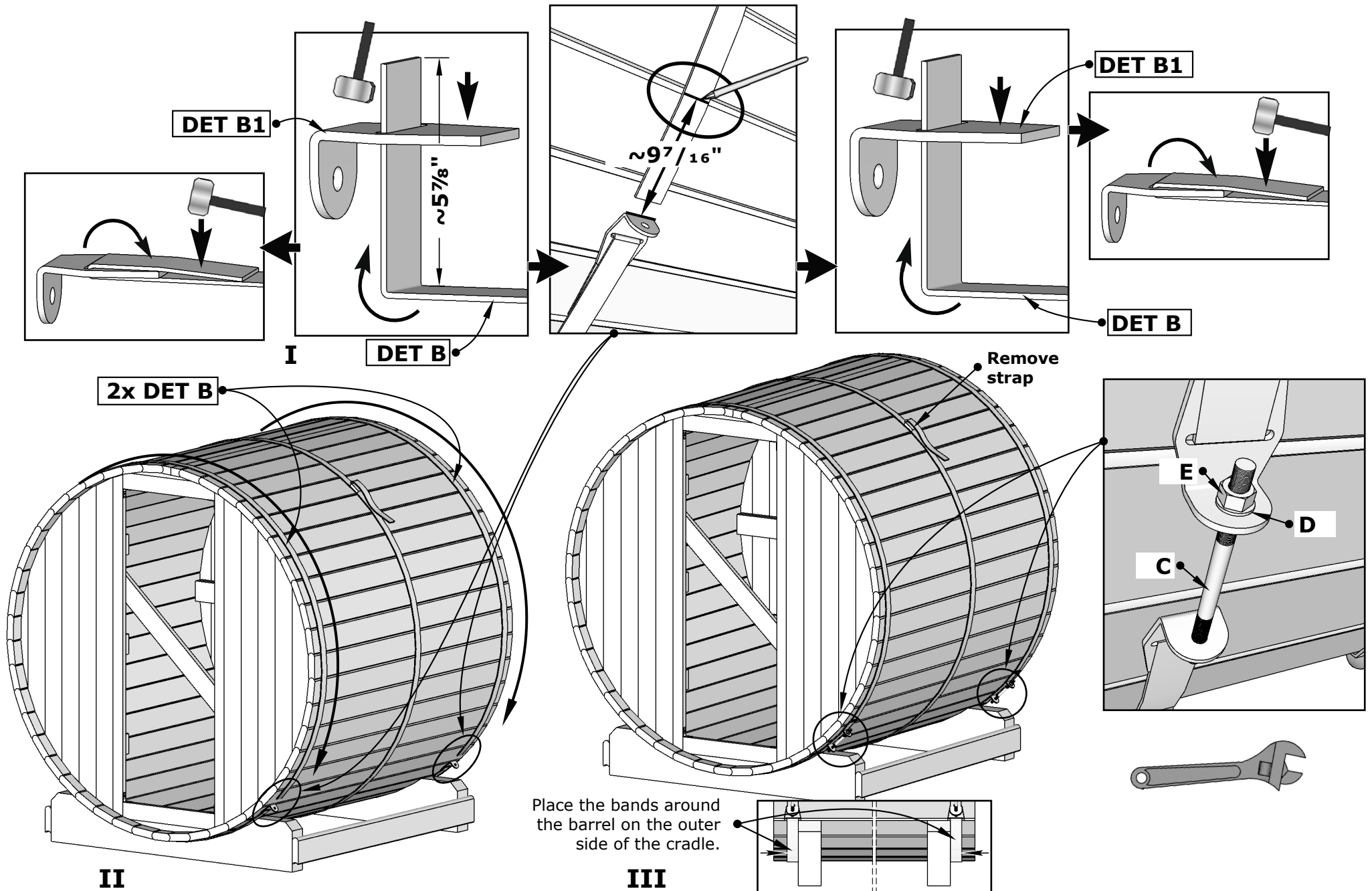


6.

II

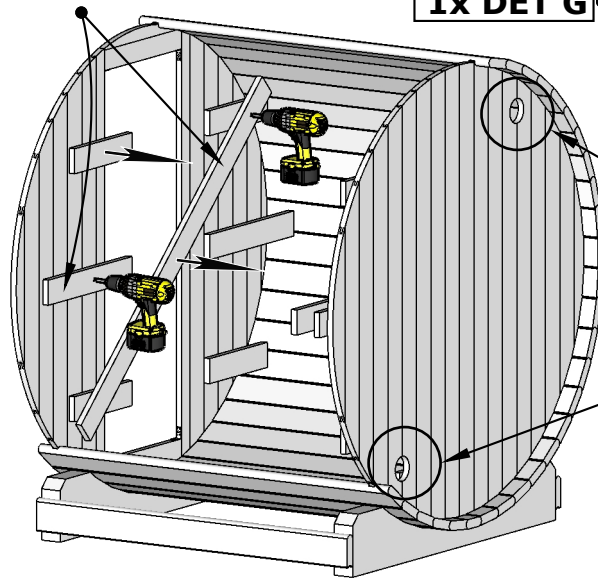
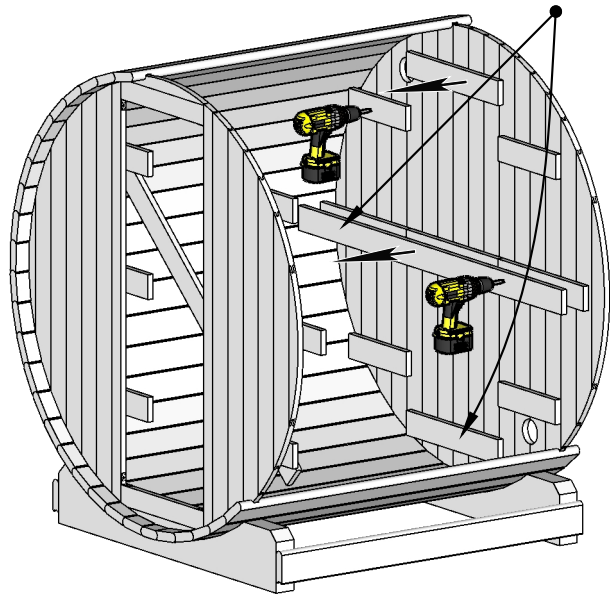
III

# E8W Barrel Sauna 87D" x 81H"

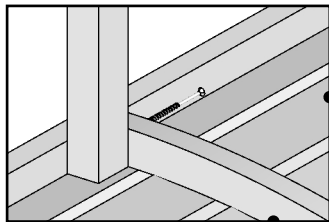
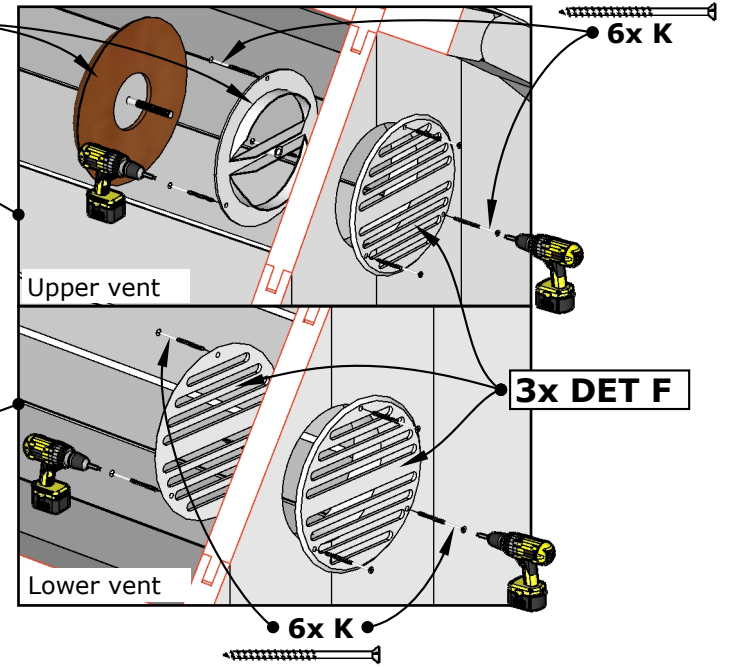


# E8W Barrel Sauna 87D" x 81H"

Remove all temporary braces



1x DET G

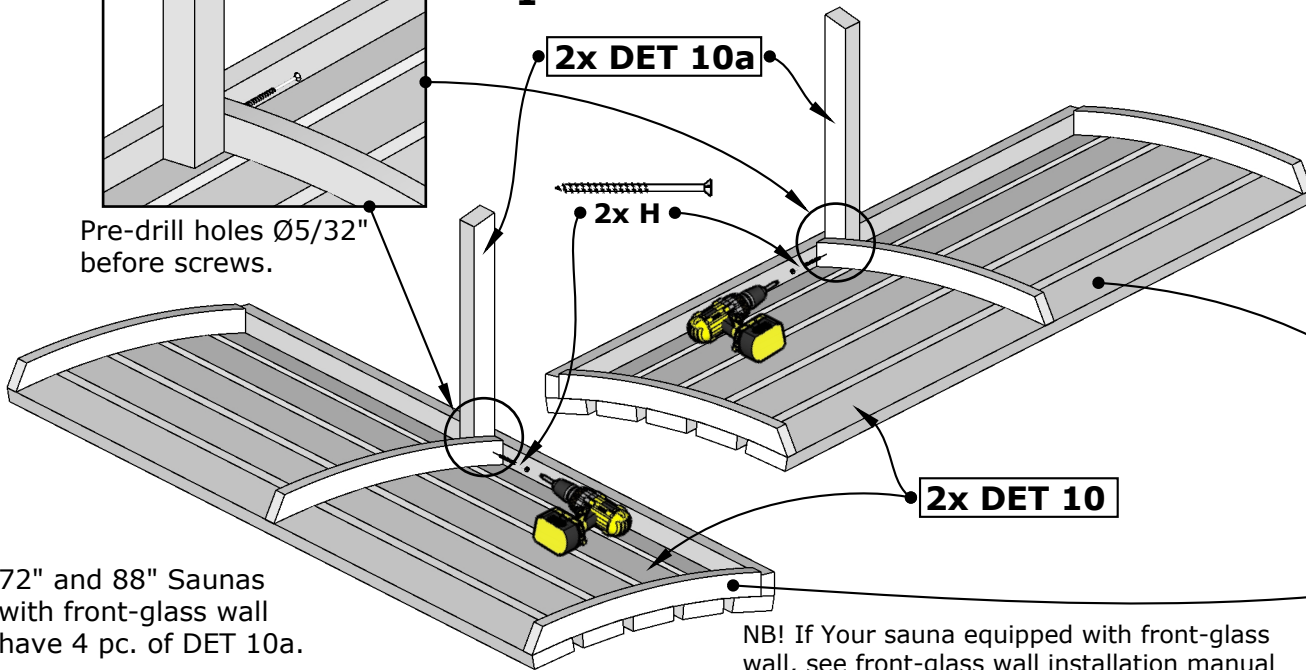


Pre-drill holes Ø5/32" before screws.

I

2x DET 10a

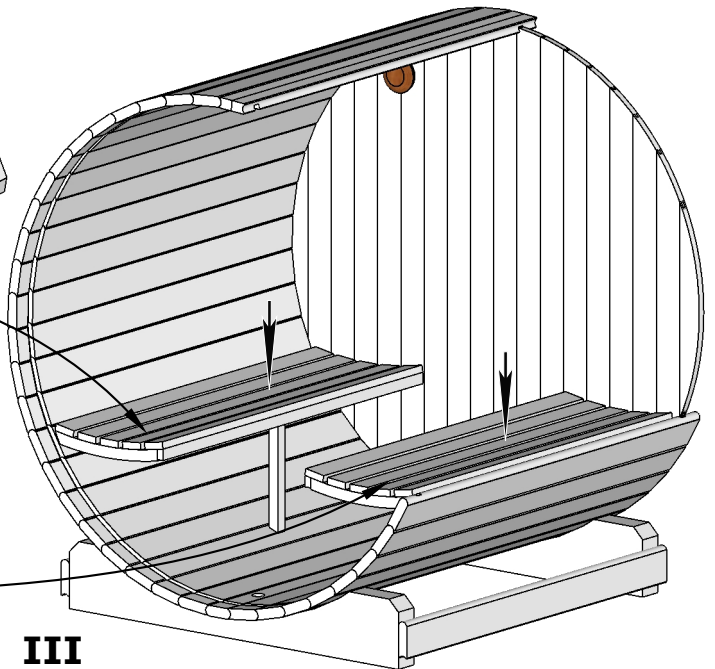
2x H



2x DET 10

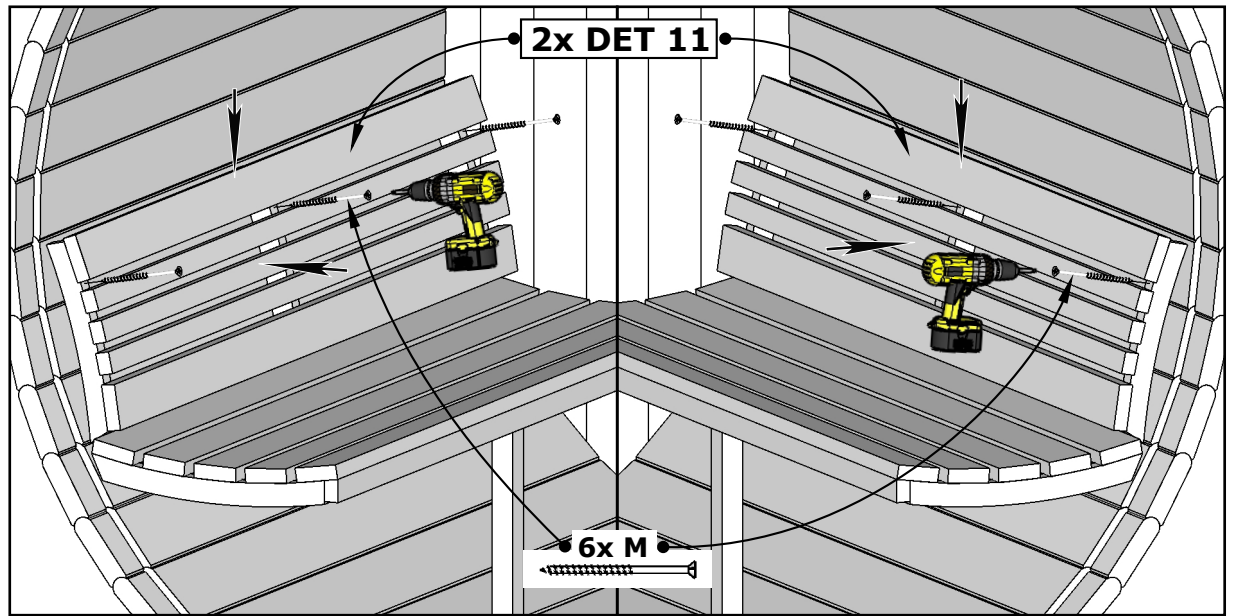
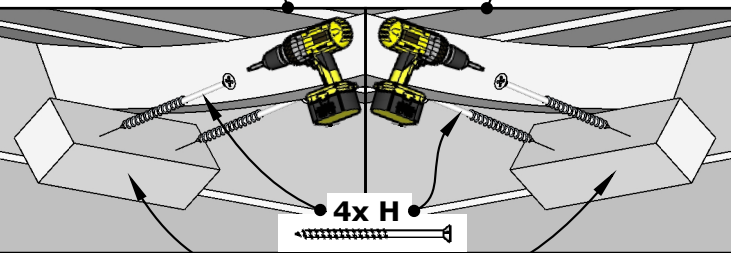
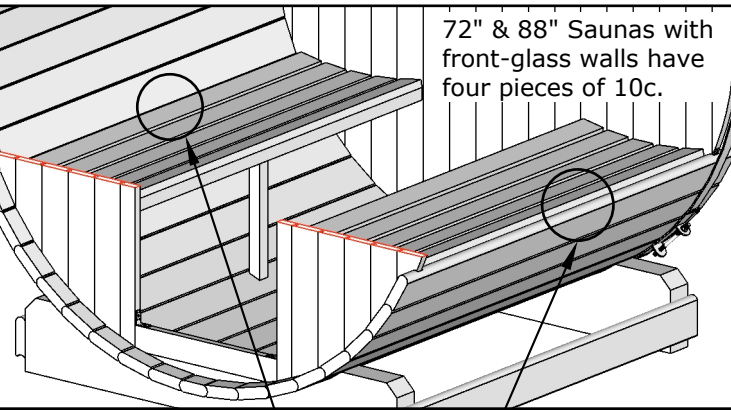
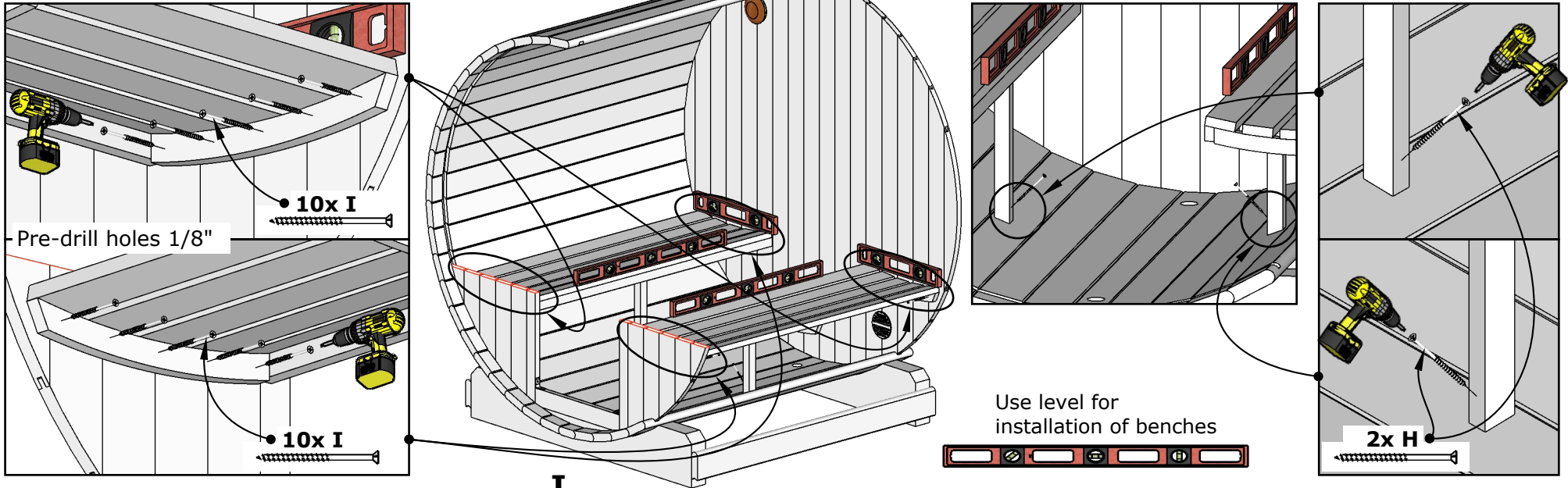
72" and 88" Saunas with front-glass wall have 4 pc. of DET 10a.

NB! If Your sauna equipped with front-glass wall, see front-glass wall installation manual for proper benches installation.



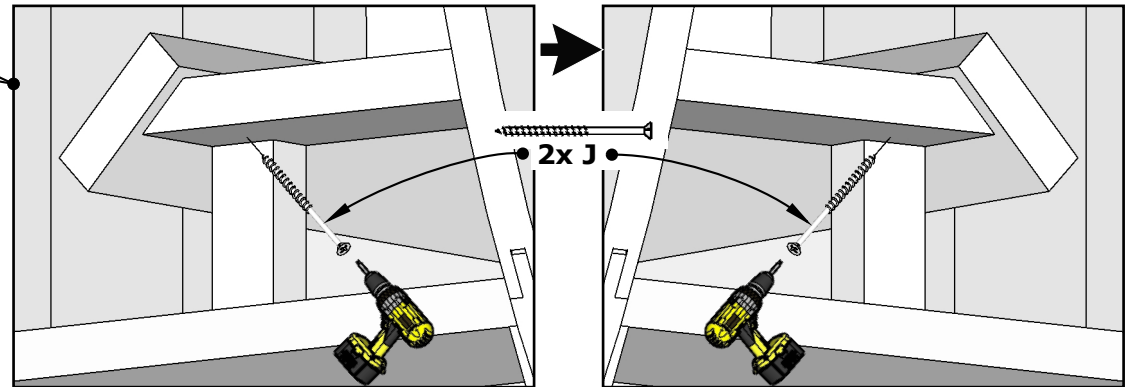
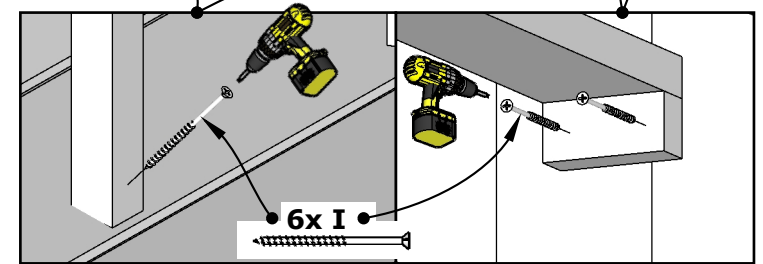
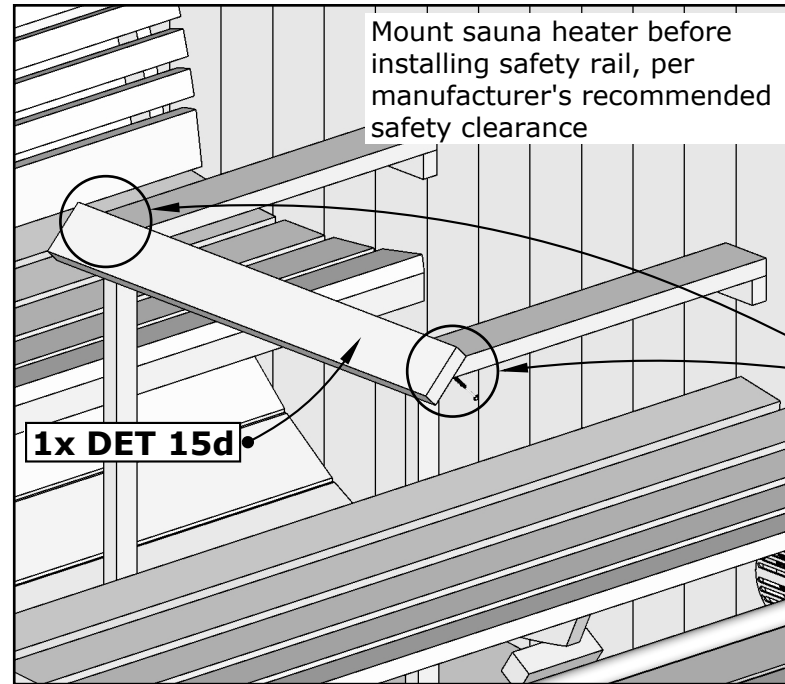
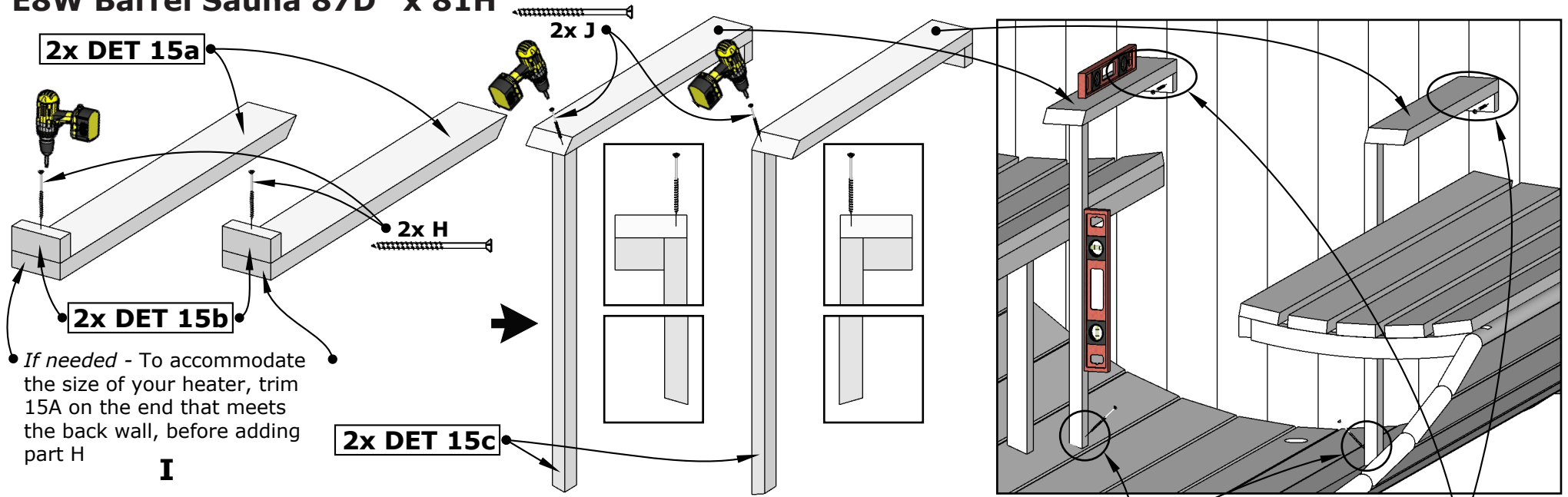
III

# E8W Barrel Sauna 87D" x 81H"



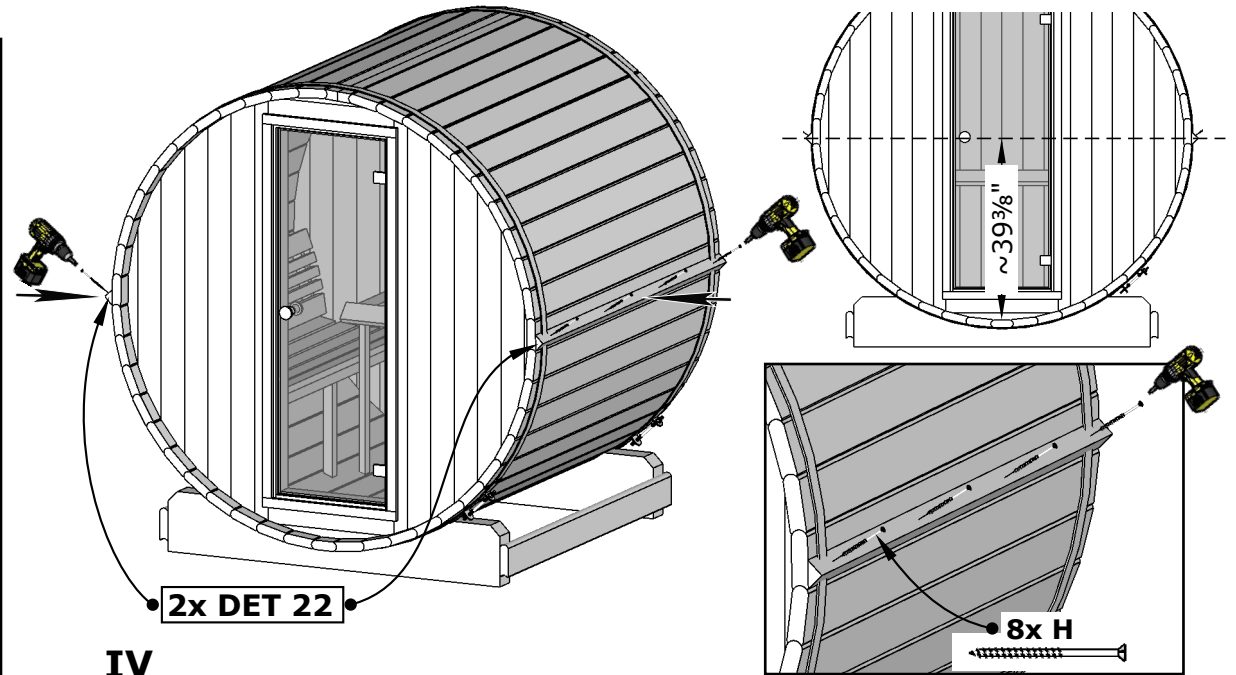
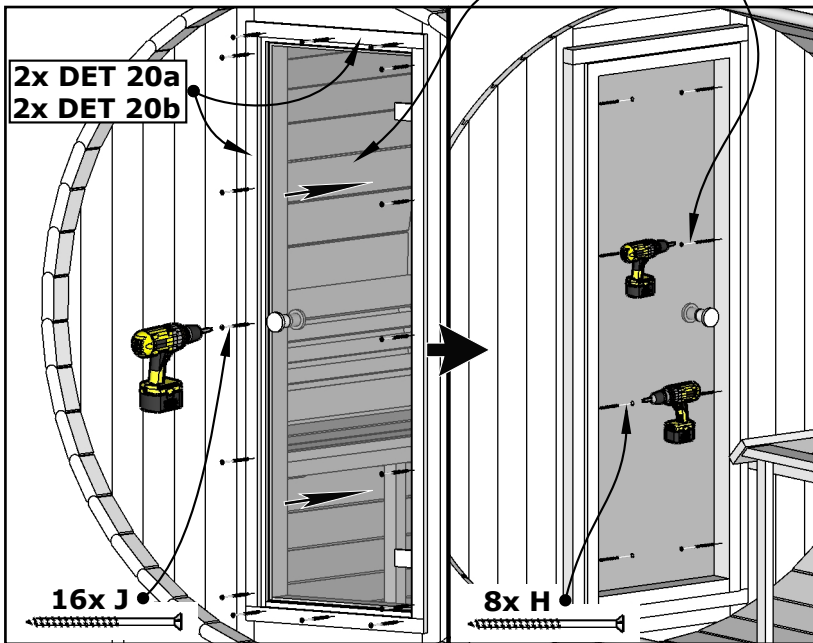
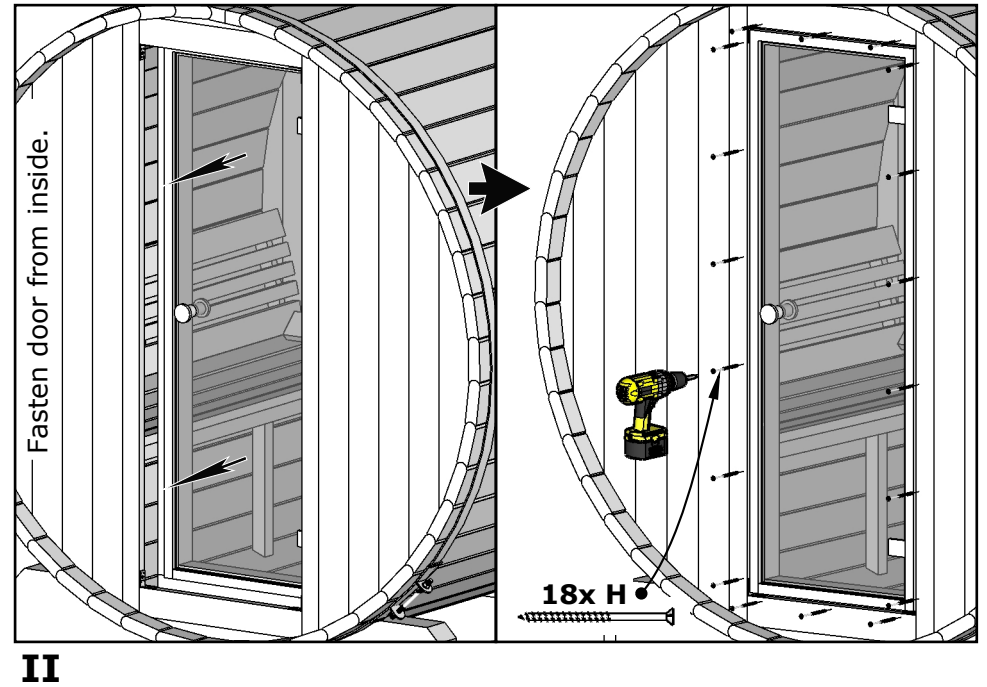
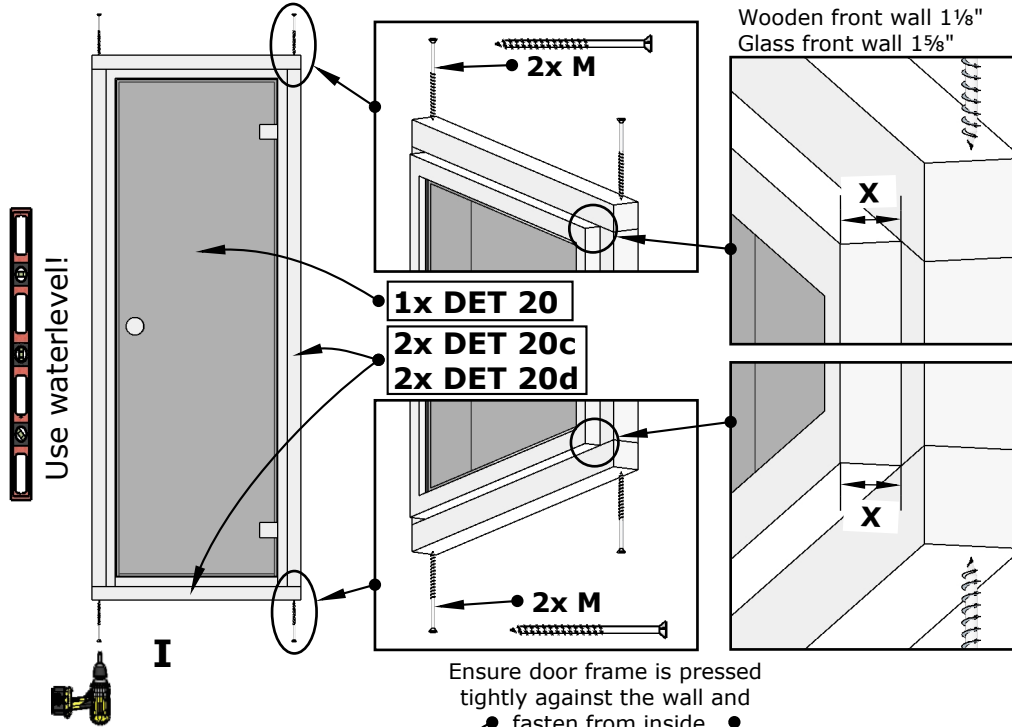


# E8W Barrel Sauna 87D" x 81H"



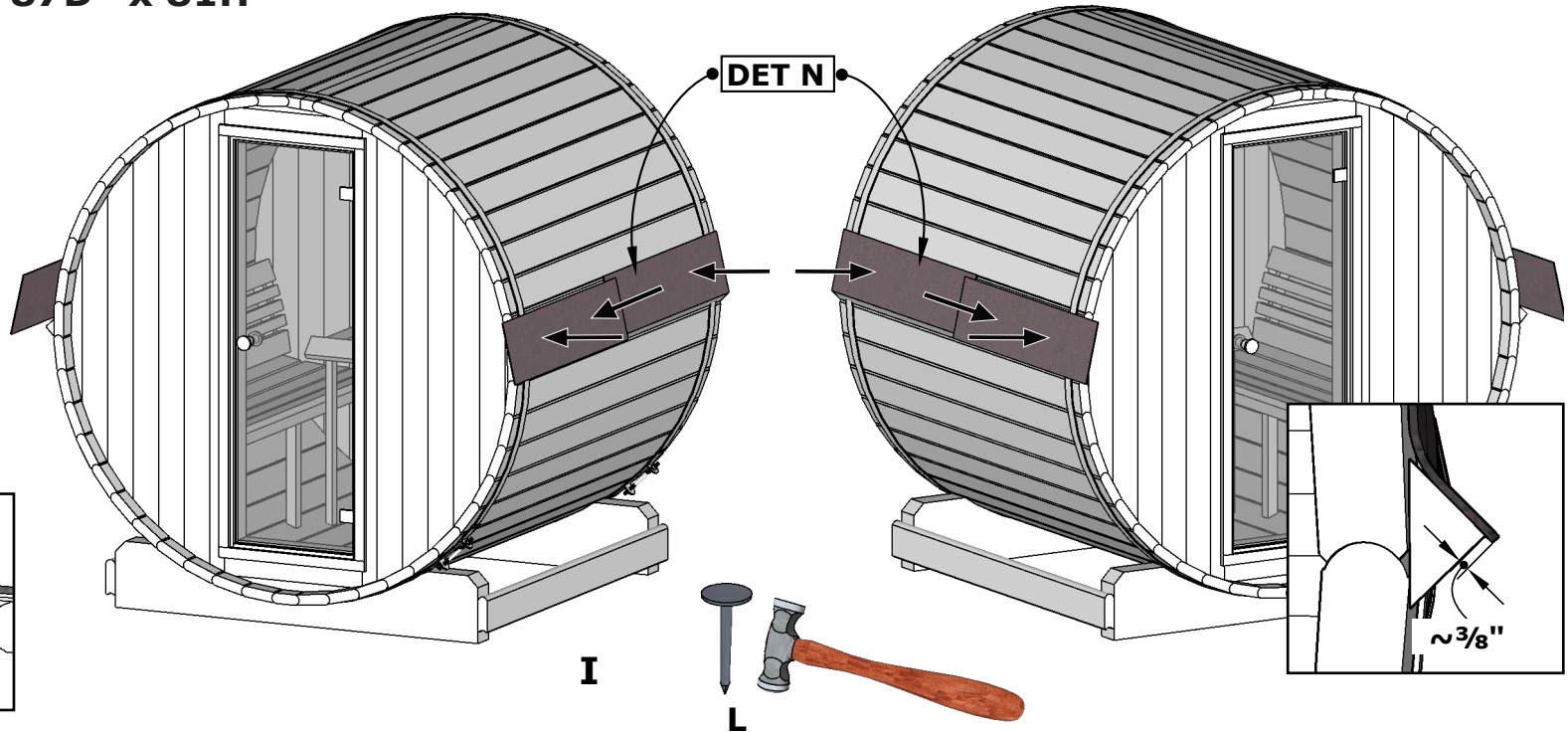
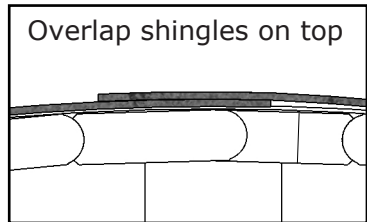
# E8W Barrel Sauna 87D" x 81H"

X= Front wall thickness  
 Wooden front wall 1 1/8"  
 Glass front wall 1 5/8"

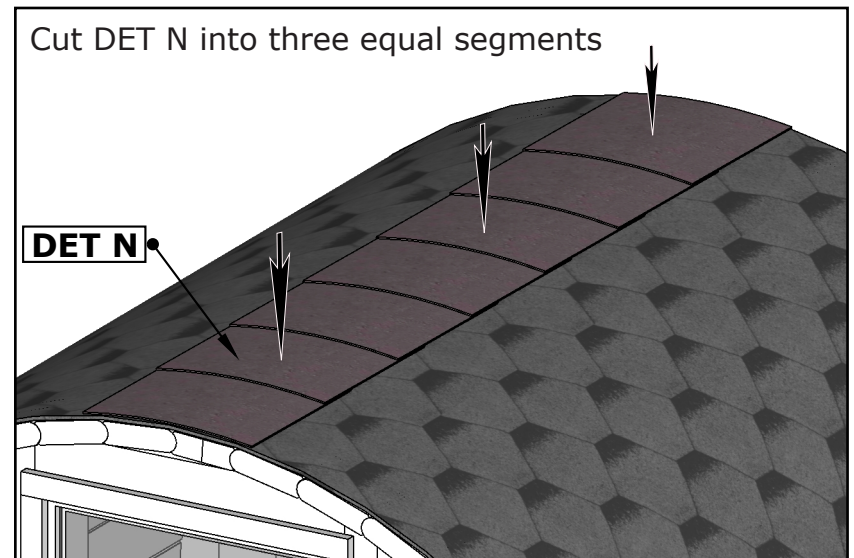
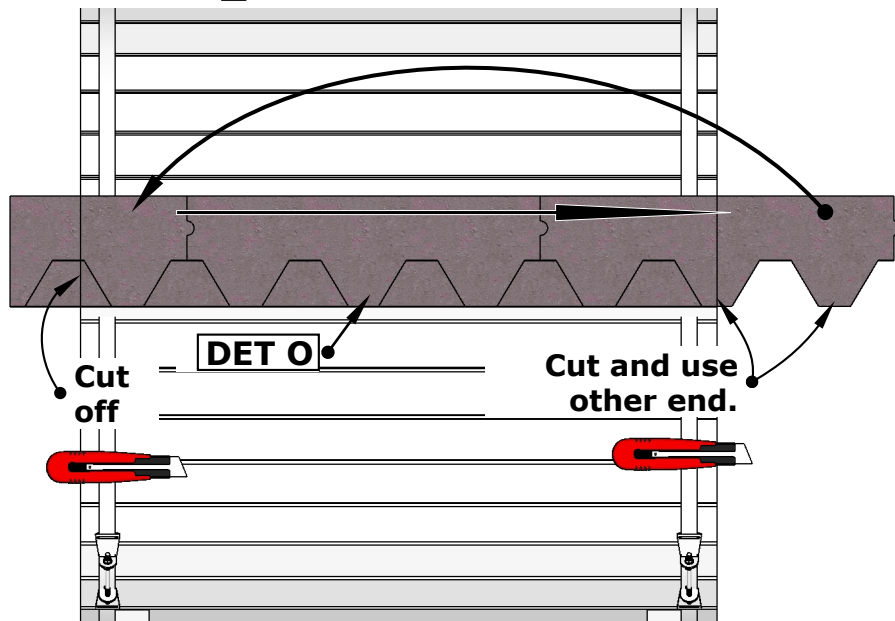


# E8W Barrel Sauna 87D" x 81H"

See the installation manual inside the shingles package



Check also roof shingles installation manual inside package.



# E8W Barrel Sauna 87D" x 81H"

