



saunum

**Saunum** Sauna Control Unit **Air IQ**

ENG

**INSTRUCTIONS FOR USE AND INSTALLATION**



## THE BEST SAUNA EXPERIENCE TO HAVE!



*I am very glad that you have invested in the Saunum device, and I believe that our innovative technology will offer you a wonderful and extraordinary sauna experience.*

I have a degree in thermal engineering and come from Southern Estonia, where my love for saunas began. The special feature of local historic smoke saunas is the lower temperature and higher humidity level than, for example, a classic Finnish sauna. In ordinary saunas, the stone volume of the sauna heater is generally small. Such an arrangement can cause a sudden, burning hot and an extremely uneven temperature, where your head and shoulder level is really hot, but your feet are left cold. Such an experience can be quite unpleasant and may cause headaches and lead to body stress. However, in ancient smoke saunas and Native American saunas, the stones were first heated during the day. Then the heat stored in the stones was used to cleanse the body and create a truly enjoyable sauna experience.

Inspired by the experience of a smoke sauna, I wanted to create an innovative solution that combines the best features of an authentic sauna with modern technology; enabling a pleasantly mild and relaxing sauna experience without painfully scorching steam. For that, however, I had to solve the problem of how to achieve an even temperature, at both the head and foot levels. My development work was supported by research done alongside Tallinn University of Technology,



in which we analysed the thermal stratification and air movement in the sauna room. Saunum was born in cooperation between scientific thinking and technological innovation.

Saunum's unique patented mixing system of air layers captures the hot sauna that rises under the ceiling of the sauna room, mixes it with the cooler air from the surface of the floor, and directs the milder sauna back evenly. This makes for an enjoyable, unaggressive heat. You can sit in the sauna for a longer time, and enjoy a sweat and a deep cleanse without feeling tired. The stone volume of our heaters is significantly larger than other sauna heaters, which is the reason for the especially pleasant indoor climate with long and soft steam.

A moist steamy sauna, a therapeutic salt sauna, or a healthy aroma sauna – all of these functions are available on Saunum's devices to create a truly relaxing sauna experience. When using Himalayan salt balls in our device, salt ions that are beneficial to skin and respiratory tract evaporate and the sauna circulates these into the air. Adding a sauna aroma system that blends sauna and healthy aroma oil creates an even more enjoyable sauna environment.

Saunum's sauna devices are suitable for both adults and children.

**Have a pleasant sauna!**

Andrus Vare  
The creator of Saunum



Saunum **congratulates you**  
on choosing an innovative  
sauna control unit!



# CONTENTS

Warnings and notes _____	6
<b>DIRECTION FOR USE</b>	
Using the heater and instructions for bathing _____	8
Control unit _____	9
Indicators _____	11
Heating _____	12
Using the Saunum sauna climate function _____	12
Configuring the sauna _____	13
Sauna scheduling _____	17
Technical data _____	20
<b>INSTRUCTIONS FOR INSTALLATION</b>	
Installing the control panel _____	22
Installing the power unit _____	25
Electrical connections _____	26
Installing the door sensor _____	28
Warranty conditions _____	29
<b>Installation report</b> _____	30



**Welcome to your AirIQ guide. Please read the warnings and manual carefully before using the product, responsibly. Failure to follow the instructions could result in personal injury, death, fire, and/or property damage, and the device's warranty may be voided.**

**The control panel is meant for controlling the sauna heater and the functions intended for the control unit.**

**It is not to be used for any other purpose!**

The AirIQ should not be used by children, people with limited mobility or experiencing illness. Children should use the AirIQ only under constant and close adult supervision.

Persons with limited physical, sensory, or mental capabilities, or inexperienced persons and knowledge, should use this device only under constant and close adult supervision and only after consulting with a physician.

Before using sauna, all users should consult with a physician to ensure that they have no health conditions that would make sauna bathing unsafe, and discuss time and temperature limitations. Pregnant women should consult their physician before the use of the sauna. Excessive body temperatures have the potential to cause fetal damage during early pregnancy.

Use of drugs, medication, or alcohol before or during the sauna session may lead to dizziness or unconsciousness, resulting in injury or death. No person should use this product while under the influence of alcohol or drugs. Persons taking medications should consult with their physician to ensure that it is safe to use sauna while taking their medications. Users should place a towel between their skin and sauna bench or wall while sitting or lounging in the room. When using the sauna, be aware of the dangers associated with going to the sauna. Do not stay in the sauna room for more than 30 minutes at a time.

Prolonged exposure to sauna can be harmful or fatal. Users should discontinue using



the sauna if they feel light-headed, dizzy, or experience heat exhaustion. It is prohibited to sleep inside the heated sauna. Users should take care to avoid falling asleep while using the sauna.

**The electrical device should only be connected to the mains in accordance with all laws and regulations by a licenced, professional, certified electrician.**

**After connecting and installing the control unit, the installer must inform the sauna owner or operator of all operating requirements.**

**The requirements for use must be given by the owner or operator to everyone who uses the sauna.**

**All maintenance other than regular surface cleaning of the product must be performed by a trained professional.**

**Always disconnect the AirIQ from the mains before carrying out any maintenance work!**

- Check the control unit for visible damage before installation and use. Do not use a damaged device or a device that has been modified from the original manufacturer's condition in any way.
- It is vital to install the AirIQ according to the instructions for installation and use. Failure to carefully follow all instructions can cause the risk of fire or short-circuit, leading to property damage, bodily injury, or death.
- Do not install accessories that have not been approved by the manufacturer. If suitable accessories are installed in the AirIQ sauna, follow the accessory-specific operating and installation instructions to ensure safety!
- If the supply cord is damaged, it must be replaced by the manufacturers' service partner or a similarly qualified licenced, professional, certified electrician to avoid a hazard.
- Clean the control panel by using a damp cloth. Use only mild cleaning agents, never solvents or corrosive chemicals. Allow the product to dry thoroughly before operation.
- This product should not be disposed of with general household waste. When recycling your product, take it to your local collection facility or contact the place of purchase.



## USING THE HEATER AND **INSTRUCTIONS FOR BATHING**

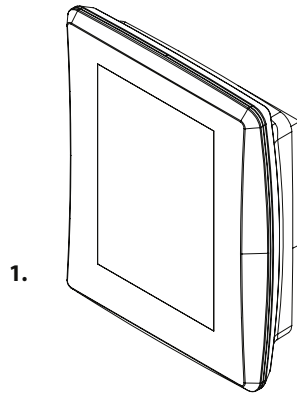
- Always check before heating that there are no objects on the heater or near the heater's safety distance described in the manufacturer's heater manual.
- Always check that the heater has been switched off and is not heating after the on-time period has elapsed.
- In public saunas, where the heater is used continuously for longer than the heater timer or the control unit allows for in the factory settings, the AirlQ must only be used under constant adult supervision by a person not using the sauna while performing the supervision.
- When the control unit is set to standby mode for remote control or switching, it must be ensured in advance that there are no objects in the sauna room or on the heater that do not match the safety distances specified in the manufacturer's heater instructions.
- The control unit can be used to remotely control the heater once the heater or sauna room door is equipped with a door sensor.
- Prolonged sauna use can damage your health or cause death. Consult with a physician to discuss your personal health situation regarding the sauna.
- Do not stay in the sauna room for more than 30 continuous minutes (in a row).
- Leave the sauna room if you feel sleepy, dizzy, or weak.
- Do not dry objects or living things in the sauna.



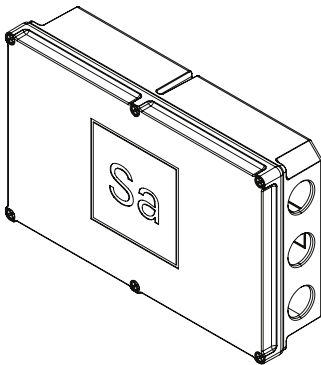


## CONTROL UNIT

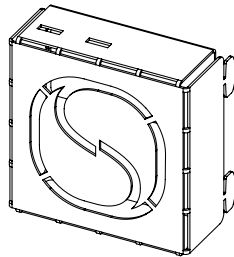
The Saunum sauna control unit AirIQ consists of a **control panel** (1), a **power unit** (2), a **temperature sensor** (3), a **door sensor** (4) and **temperature sensor and power unit cords** (5).



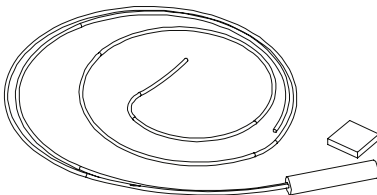
1.



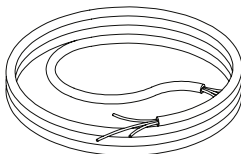
2.



3.



4.



5.

The display panel can be used to pre-set the temperature and start time of the heater and to switch the Saunum sauna climate device (hereinafter AirIQ) speed.

The temperature of the sauna room is based on sensor information.

The temperature sensor and the overheat protector are located in the sensor casing at the top of the flute.



## USING THE HEATER

### WITH THE CONTROL UNIT

The heating elements will automatically turn off when the sauna room reaches the temperature selected on the control panel.

The control unit will automatically turn the heating elements on and off to maintain the desired temperature.

The heater will turn off when the set time ends, the "STOP" button is pressed, or if an error occurs.

### CONTROL UNIT

- This device controls the sauna temperature and the motor speed of the climate device.
- Enables three preset sauna types that can be changed and updated by the sauna owner.
- Enables the user to select a time for the sauna to be ready for entry and enjoyment.
- Shows a notification that the sauna is ready via a screen notification. When using the Saunum App, and on the mobile app.
- Enables the user to select their language of choice.

- Includes Screen lock / Child lock.
- Includes overheating protection.
- The desired functions can be selected from the intuitive screen, the numerical values displayed in red can be changed.
- Remote control – with the Saunum mobile app.

Devices with in-app support enabled can also be controlled and configured via a mobile phone.

The remote control of the heater can be used only when a door sensor has been installed.

The heater can only be switched on remotely when the door is closed. If the circuit is open, the heater will not start.

After completing the installation of the control unit, this manual should be given to the owner of the sauna. The product owner should provide the manual to all persons using or operating the sauna. Please read more instructions for installation, use, and recycling in the original user manual of the control unit. Saunum reserves the right to modify this manual from time to time, and modifications will be posted to **www.saunum.com**. Failure to follow the instructions could result in personal injury, death, fire, and/or property damage, and the device's warranty may be voided.



## INDICATORS



“Sauna ready” starting time



Temperature



Sauna duration



AirQ



AirQ speeds



Light



Heater power kW



Glass surface area



Sauna room volume



Screen lock / Child lock



Move to next view



Value increase



Value decrease



Repeat sauna session



- 1
- 2
- 3
- 4
- 5

1. Menu
2. Light
3. Time
4. Heater state
5. Wi-Fi connection



## HEATING

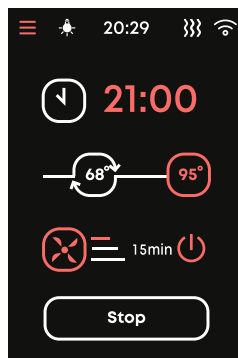
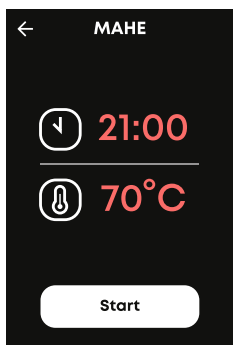
1. Tap the screen to get started.



### Setting a sauna ready time.

The "sauna ready" time is when the sauna room has reached the programmed temperature.

2. Tap the "Start" button to start heating the sauna.



While the sauna is in heating mode, it is possible to change the "sauna ready" time and the temperature by tapping on the time and temperature controls and selecting the desired numbers.

## USING THE SAUNUM SAUNA CLIMATE FUNCTION

**WARNING!** The climate function should not be used while heating the sauna steam zone, as it can result in a prolonged heating time and potential overheating.

Use the AirIQ function of the sauna zone ONLY when actively using the sauna. To protect the sauna from overheating, the AirIQ can also start independently. Do not use the climate function unattended.



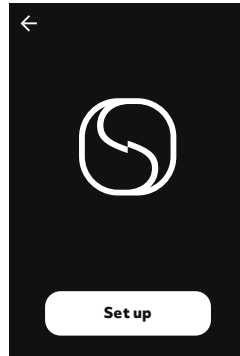
## CONFIGURING THE SAUNA

Saunum's control unit AirIQ is constantly being developed to add new functions that make the user experience more comfortable. Saunum notifies its customers of all software updates. The updates require an internet connection to download. In order to keep the software on your device up-to-date when it's not permanently connected to a Wi-Fi network, you need to create an internet access point, aka a hotspot with your mobile phone.

**When installing the AirIQ for the first time, be sure to enable access to the internet and download the updates.**

**1. The "Set up" option will show on the first run of the device.** Regional setting will have to be made according to the region where the AirIQ is installed. The AirIQ is produced according to EU/US standard. Saunum and its re-sellers do not take any responsibility of the consequences when incorrect region has been selected.

**2. Tap the "Set up" to begin the setup process.**



### 3. Connecting to Wi-Fi.

Select the appropriate 2.4GHz Wi-Fi network by tapping on the corresponding network name. If there is no need to connect the sauna control panel to the Wi-Fi network, tap the "Skip" button.

**Install the control panel in a location with a good Wi-Fi connection. You can ensure an adequate Wi-Fi connection with your phone:**

- Disable the mobile data on your phone.
- Turn on your phone's Wi-Fi.
- The Wi-Fi connection at the installation location is adequate if the Wi-Fi connection of your phone is good, and the applications that require data transfer work properly.



#### If the connection is not adequate:

- Try another location.
- If possible, change the location of your Wi-Fi router so that the connection to the Saunum Wi-Fi control panel is better.

**The building structure, building materials, flush mounting, and other issues may reduce the quality of the Wi-Fi connection.**

**Tip!** A Wi-Fi network extender can be used to enhance the network reach.

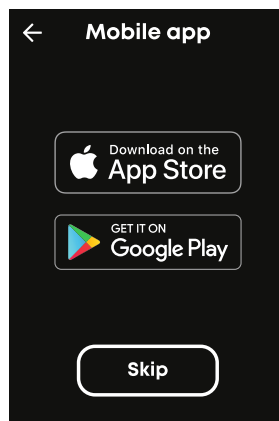
The Saunum Wi-Fi control panel is designed to control the electric sauna heater.

**With the control panel, it is also possible to:**

- Set and monitor the sauna temperature.
- Switch on and set the speed for the Saunum sauna climate function.
- See the heater status information.
- Set a scheduled start.

The Saunum Mobile App is a mobile application that allows you to control the Saunum control panel remotely.

#### 4. Downloading the Saunum app.



#### 5. Opening the Saunum app download.

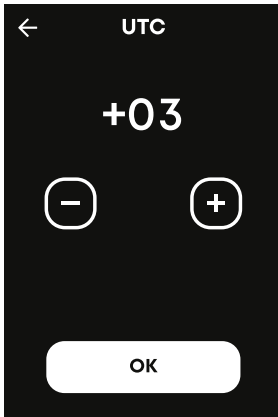
Scan the QR code that opens the Saunum app on Google Play or the App Store. Some Apple users must enable QR-code scanning in Camera app settings.

**6. Connecting to the Saunum application, scan the QR code displayed on the control panel.**

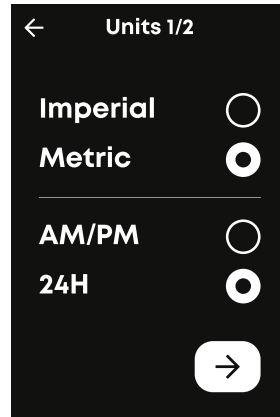




### 7. Setting the time zone.



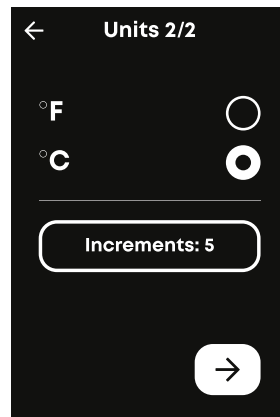
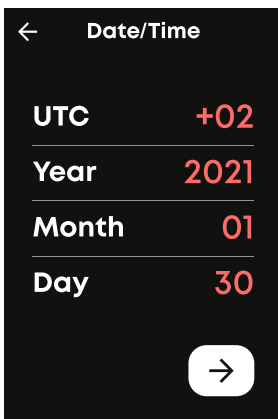
### 9. Setting units (1/2).



The local time zone (UTC) configuration is required if the sauna control panel has been previously connected to the Wi-Fi network.

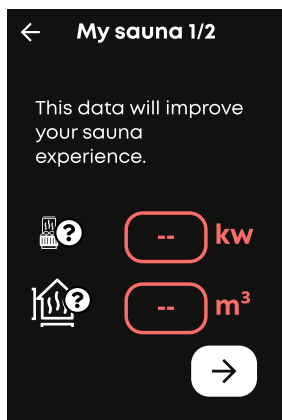
### 10. Setting the temperature unit (2/2).

### 8. Setting the date and time.

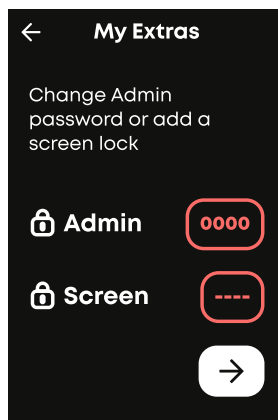




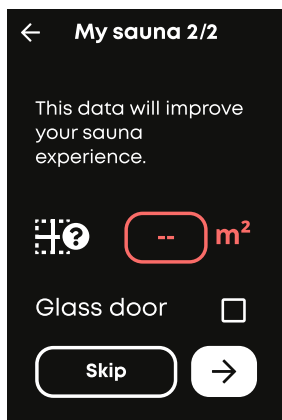
11. Entering sauna data (1/2).



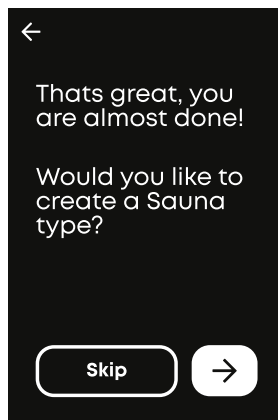
13. Setting passwords.



12. Entering sauna data (2/2).



14. Creating a sauna type (1/4).



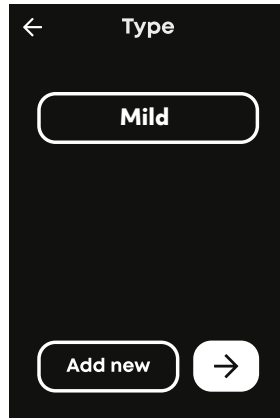




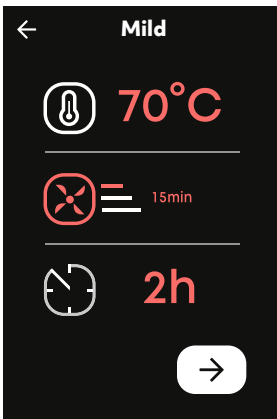
15. Creating a sauna type (2/4).



17. Creating a sauna type (4/4).

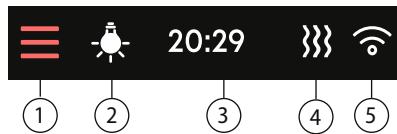


16. Creating a sauna type (3/4).



SAUNA SCHEDULING

Open the Menu.



1. Menu

Saunum allows you to schedule a sauna in advance by setting up a weekly schedule.

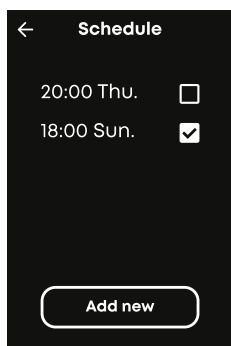
To do this, tap "Schedule" from the menu.



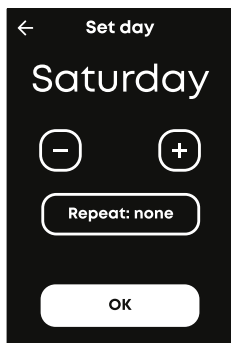
Always make sure the heater and area around the heater are clear before a scheduled sauna session.

Note that the planned sauna session does not start if the door has been left open at that time.

### 1. Open the Schedule.



### 2. Setting the day.

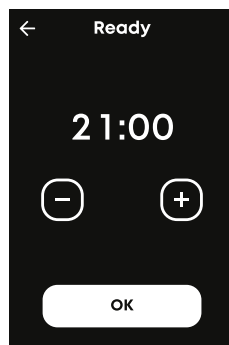


Before the selected time arrives, a message will appear stating that the heating session will start soon.

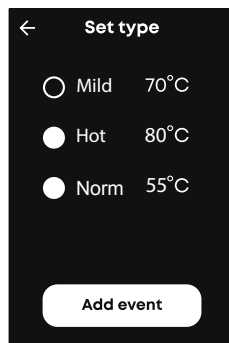
You can cancel the session by tapping "Cancel".

If you do not cancel it, the session will begin and, after the desired temperature is reached, it will run for 30 minutes, after which time it will stop unless the session is manually confirmed.

### 3. Setting the time.



### 4. Setting the sauna type.







## TECHNICAL DATA

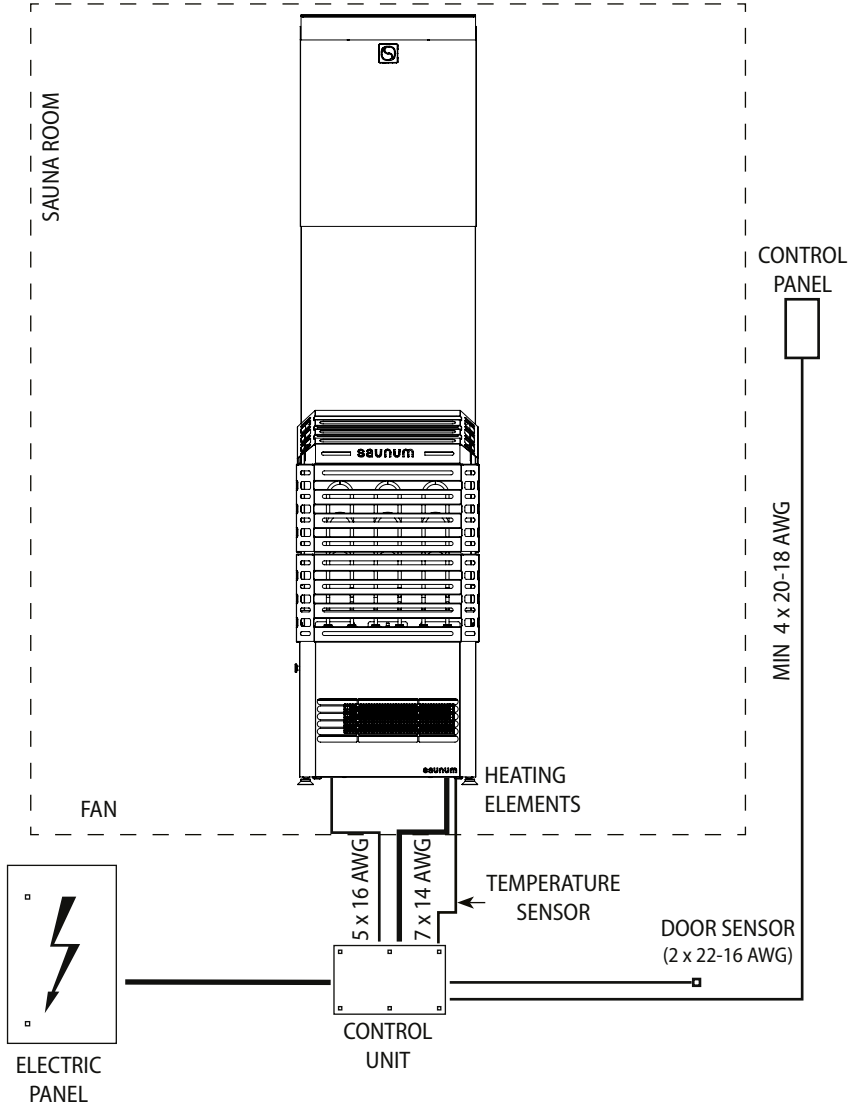
### DISPLAY PANEL:

- Temperature adjustment range 104 – 194 °F.
- Pre-setting the schedule for the week.
- Temperature rating: -4°F - 145°F.
- Allows you to set the operating time of the heater: up to 1 hour in a private sauna, up to 6 hours in a public sauna.
- IP20
- Heat equalizing module three-speed control.
- Dimensions: 0.8 in. × 3.3 in. × 4.1 in.

### POWER UNIT:

- Supply voltage: 240V 1PH - 240V 1PH.
- Heater power rating up to 12 kW.
- Heaters with higher power need a separate "contactor box."
- Dimensions: 2.36 in. × 10.11 in. × 6.5 in.
- Safety device: overheat protector.
- IP64
- Temperature rating: -4°F - 113°F.







## INSTRUCTIONS FOR INSTALLATION

**WARNING!** Failure to install the product in accordance with all instructions herein will void the warranty. It can result in the risk of fire and/or electrical short-circuiting, leading to property damage, bodily injury, or death.

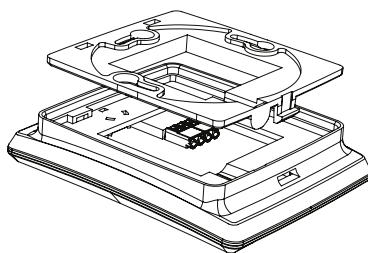
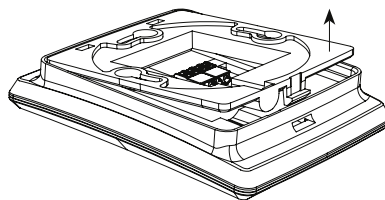
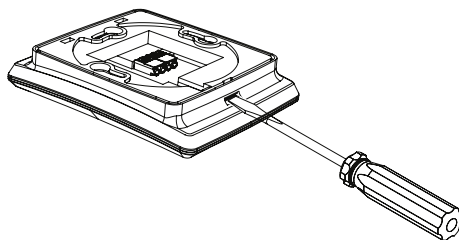
A licenced professional electrician may only do the installation of the control unit in accordance with current regulations. The person in charge of the installation should provide the necessary training and return the user manual to the product owner after completing the installation. The product owner should provide access to the manual to all persons using or operating the product.

### INSTALLING THE CONTROL PANEL

For concealed installation, the data cable can be installed in a protective tube inside the wall; if this is not possible, it must be installed on the wall surface.

The control panel must be installed on the wall, in a place protected from water splashes.

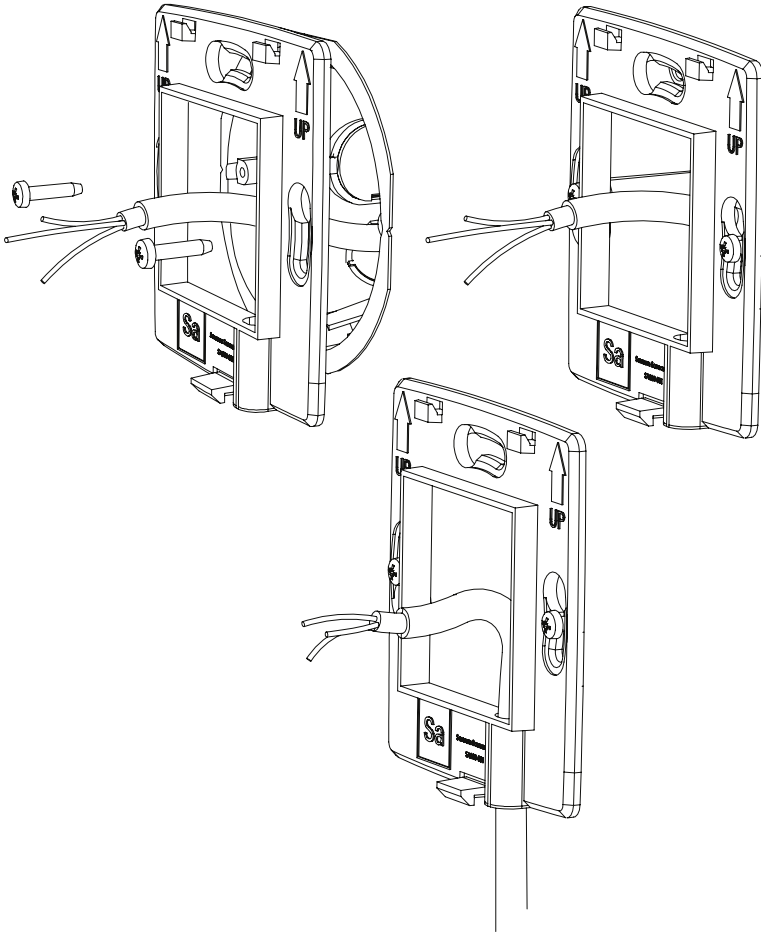
1. Remove the wall mount from the device.





**2. Thread the data cable through the hole in the wall mount.**

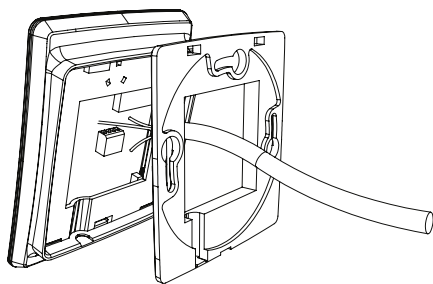
**3. Fasten the wall mount to the wall with screws.**



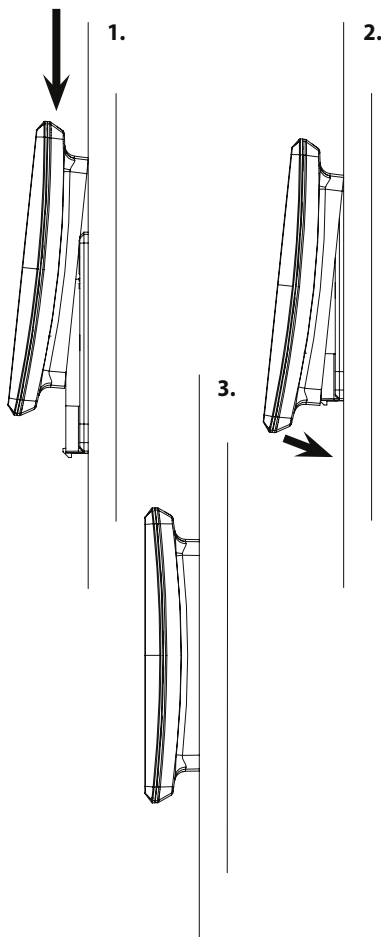
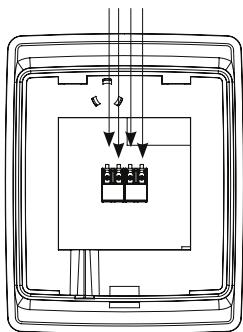


4. Connect the data cable to the connector.

5. Press the control panel into the wall mount.



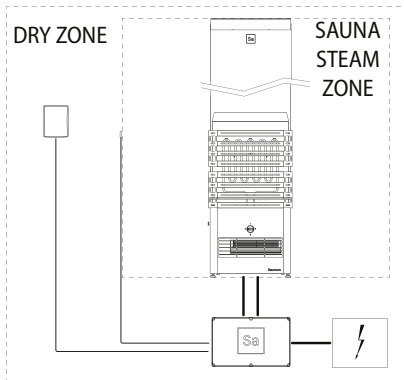
5V D+ D- Gnd



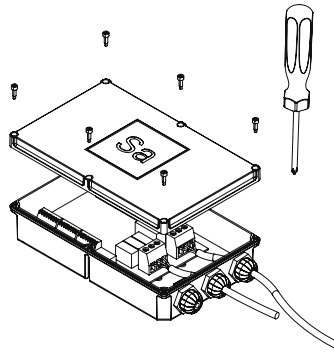




## INSTALLING THE POWER UNIT

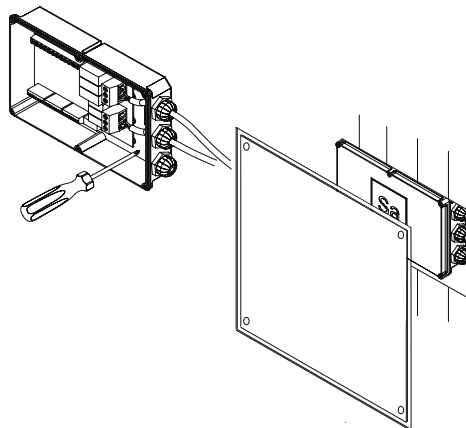


1. Open the cover of the power unit.



The installation spot must be dry, and its temperature must not exceed 113 °F / 45 °C.

2. Drill holes in the case and attach the power unit to the wall or electrical panel.





## ELECTRICAL CONNECTIONS

The connection of the power unit is shown on the diagram of electrical connections.

For more information on connecting the heater, see the heater installation and operating instructions.

- If the connection and installation cables are located higher than 40 in. from the floor of the sauna room or inside the walls of the sauna room, they must be able to withstand a temperature at least 338 °F / 170 °C (e.g., SSJ). Electrical equipment installed in the sauna room below 40 in. from the floor must withstand a temperature of at least 194 °F / 90 °C (e.g., T90).

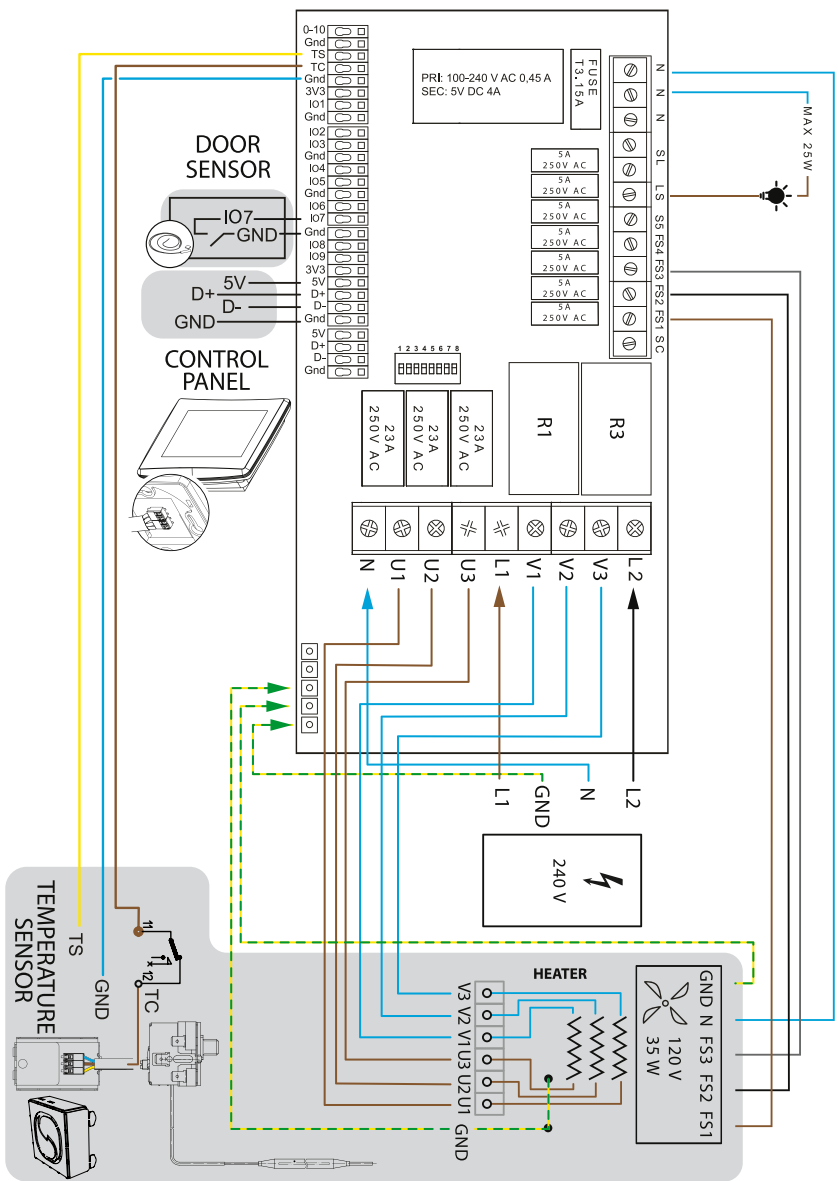
### RECOMMENDED SIGNAL CABLE SIZES

Temperature sensor-thermal protection (silicon or other heat resistant material that is able to withstand a temperature at least 284 °F): SIHF UL/CSA	3 x 20-18AWG
---	--------------

Control panel (a ferrule end-sleeve is required for stranded cables): UL/CSA	4 x 20-18AWG
--	--------------

Door sensor: UL/CSA	2 x 22-16AWG
---------------------	--------------

# ELECTRICAL CONNECTION





## INSTALLING THE DOOR SENSOR

A door sensor is a magnetic switch that is attached to the door frame of the sauna room.

Closing the door closes the door sensor's circuit and allows the sauna control to be activated.

Opening the sauna door breaks the circuit and switching on the heater is not possible.

The door sensor consists of two parts: a sensor and a magnet.

- Connect the cable ends to the terminals of the sensor.
- Fix the magnet on the door with double sided tape. This must allow the door to close and be close to the door frame.
- Attach the magnetic sensor to the door frame, matching the sensor and the magnet when the door is closed. The maximum distance between the door switch parts must be 5 mm / .20 inches when the door is closed.

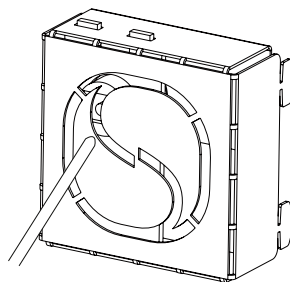
## RESETTING OVERHEATING PROTECTOR BUTTON

**The overheating protector reset button.**

- The sensor's case contains a temperature sensor and an overheating protector. The temperature sensor

detects the temperature and the overheating protection switches off the power to the heater in the event of a fault; overheating protection can be reset.

**Note!** The reason for the switch-off must be clarified before the reset.





## WARRANTY CONDITIONS

- The warranty is only valid if a completed installation report is submitted with the claim;
- The AirIQ is connected to the mains in accordance with all laws and regulations by a licenced, certified electrician;
- A warranty period of two (2) years applies to the AirIQ if it is used in a private sauna;
- A warranty period of one (1) year applies to the AirIQ if it is used in a public sauna.

The Saunum warranty starts from the date of purchase and includes all manufacturer-provided parts of the control unit. The warranty covers faults from the manufacturing and materials only. Under this warranty, Saunum will provide replacement parts to the buyer, but only after the faulty parts have been returned to the manufacturer or reseller. Replacement of any part in the control unit by Saunum does not extend the original warranty period.

The electrical device should only be connected to mains in accordance with all

laws and regulations by a licenced, certified electrician.

The warranty applies only to the first installation of the product and to the original purchaser.

### The warranty does not cover:

- Routine maintenance and cleaning of the device, and replacement of the components due to normal wear and tear
- Risks arising from transport
- Damage resulting from the misuse of the AirIQ
- Damage resulting from the improper installation of the AirIQ
- Adaptation or modification of the AirIQ for any purpose other than that indicated in the instructions for use
- Repairs to the AirIQ not carried out by Saunum's recommended repair and maintenance partners
- Accidents, lightning, water, fire, improper ventilation, or any other factor beyond the control of Saunum

For repairs contact:  
techsupport@bathingbrands.com  
+1 (224) 553-5909

INSTALLATION **PROTOCOL**

Saunum sauna's control unit model: \_\_\_\_\_

Date of purchase: \_\_\_\_\_

Original purchaser: \_\_\_\_\_

Place of installation: \_\_\_\_\_

Purchased from: \_\_\_\_\_

Date of electrical installation: \_\_\_\_\_

Signature of the installer: \_\_\_\_\_

Notes: \_\_\_\_\_

Customer's contact (name, email address): \_\_\_\_\_

Work accepted: \_\_\_\_\_

**Start date of warranty:** \_\_\_\_\_

Read all of the instructions for use carefully and thoroughly **before using the AirIQ** and keep them in a safe and easily accessible place for future reference.



# **INSTRUCTIONS FOR USE AND INSTALLATION**

**ENG**