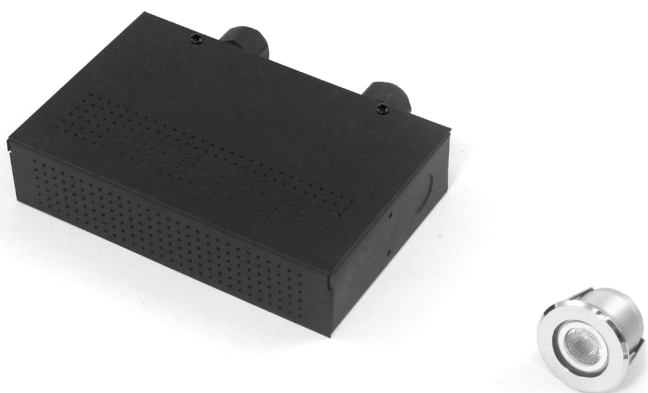


# BATHOLOGY

rediscover bathing



Spectrum 440D

Steam White Light System

Installation and Operation Manual

## Contents

Installation Considerations .....	3
Installation .....	4
Electrical Diagram .....	6
Product Care .....	11
Specifications .....	12
Notes .....	13
Replacement Parts .....	13

## Installation Considerations

Please read this manual in its entirety prior to installation

**IMPORTANT: DO NOT HOT SWAP ANY ELECTRICAL COMPONENTS.** This will void the warranty, and likely cause the product to fail.

**CAUTION** Carefully review all installation options and instructions before proceeding.

**CAUTION** For safety purposes, use safety goggles at all times.

**WARNING** Do not hot swap any electrical components. This will void the warranty, and likely cause the product to fail. **Fully disconnect the system from its power source before swapping any electrical components.**

**WARNING** Check for piping / electrical before cutting or drilling.

**WARNING** Some electrical components are not waterproof.

**WARNING** If there is any risk of uninsulated electrical connections in your wall / ceiling area, use insulating gloves.

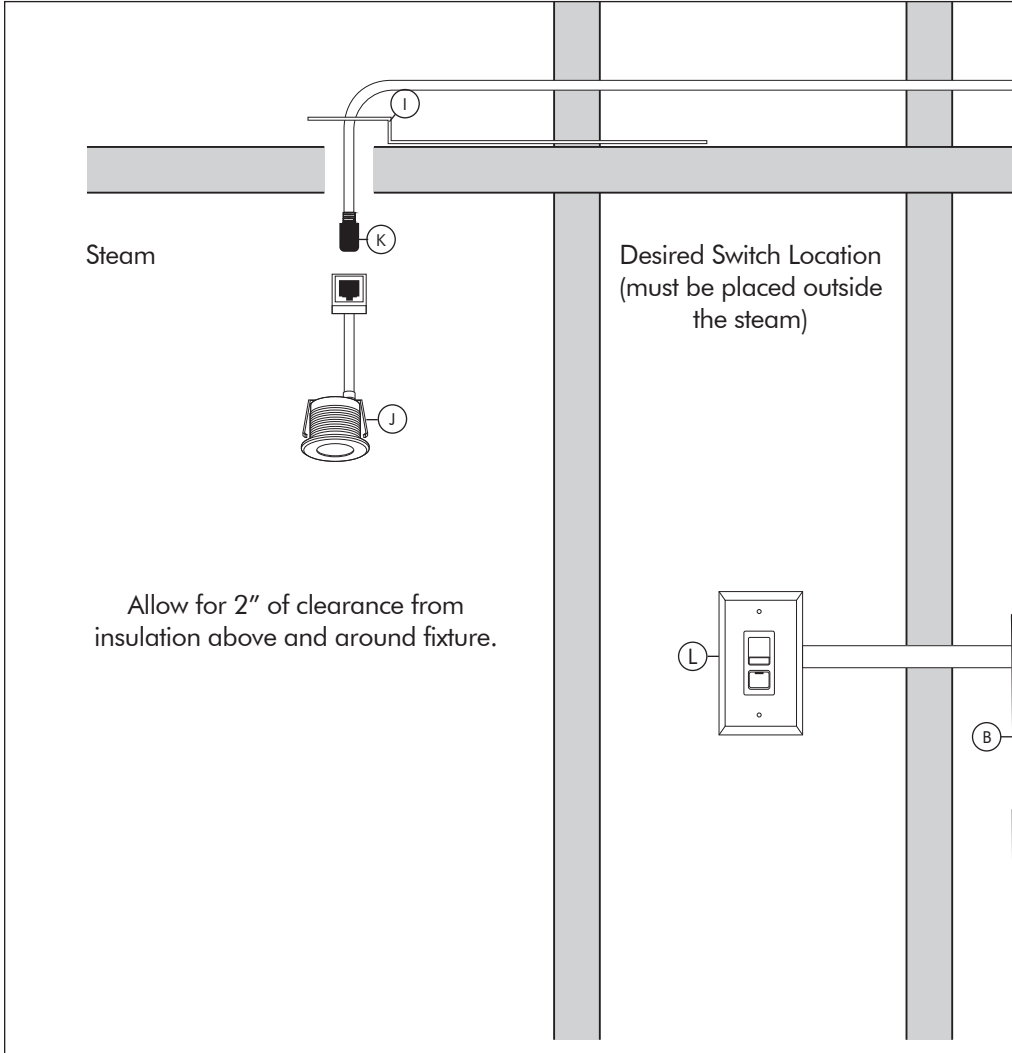
**WARNING** The Spectrum 440D Steam White Light System can be controlled by the use of a light switch provided by others. NEVER place a switch where it can be reached from a tub or shower.

**IMPORTANT** All wiring must be done in accordance with National Electric Code and local building code.

**IMPORTANT** The Spectrum 440D White Light System should be installed by a licensed, qualified electrician.

**IMPORTANT** Consider light placement carefully. The fixture(s) for this system should be placed to avoid direct contact with the bather's eyes.

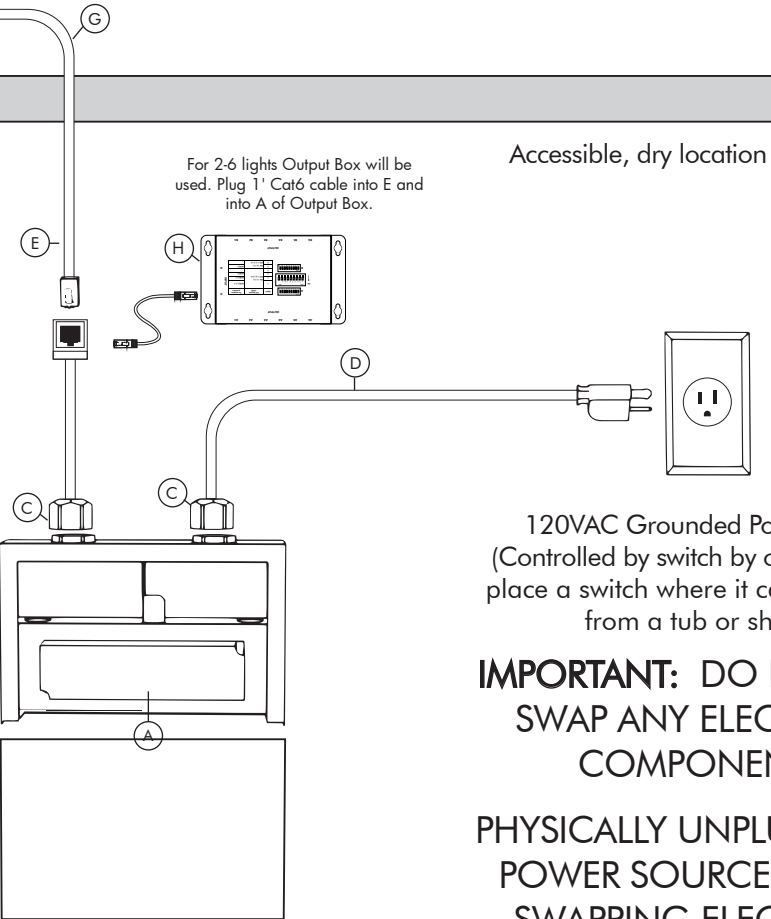
## Installation



### Package Includes

Item	Quantity	Description
A	1	Driver
	1	Screw
	1	Locknut
B	1	Enclosure
	1	Enclosure Top

Item	Quantity	Description
	2	Enclosure Top Screws
	4	Screws / Anchors
	4	Wire Nuts
	1	Ground Connector
	C	2



**IMPORTANT: DO NOT HOT SWAP ANY ELECTRICAL COMPONENTS**

**PHYSICALLY UNPLUG FROM POWER SOURCE BEFORE SWAPPING ELECTRICAL COMPONENTS**

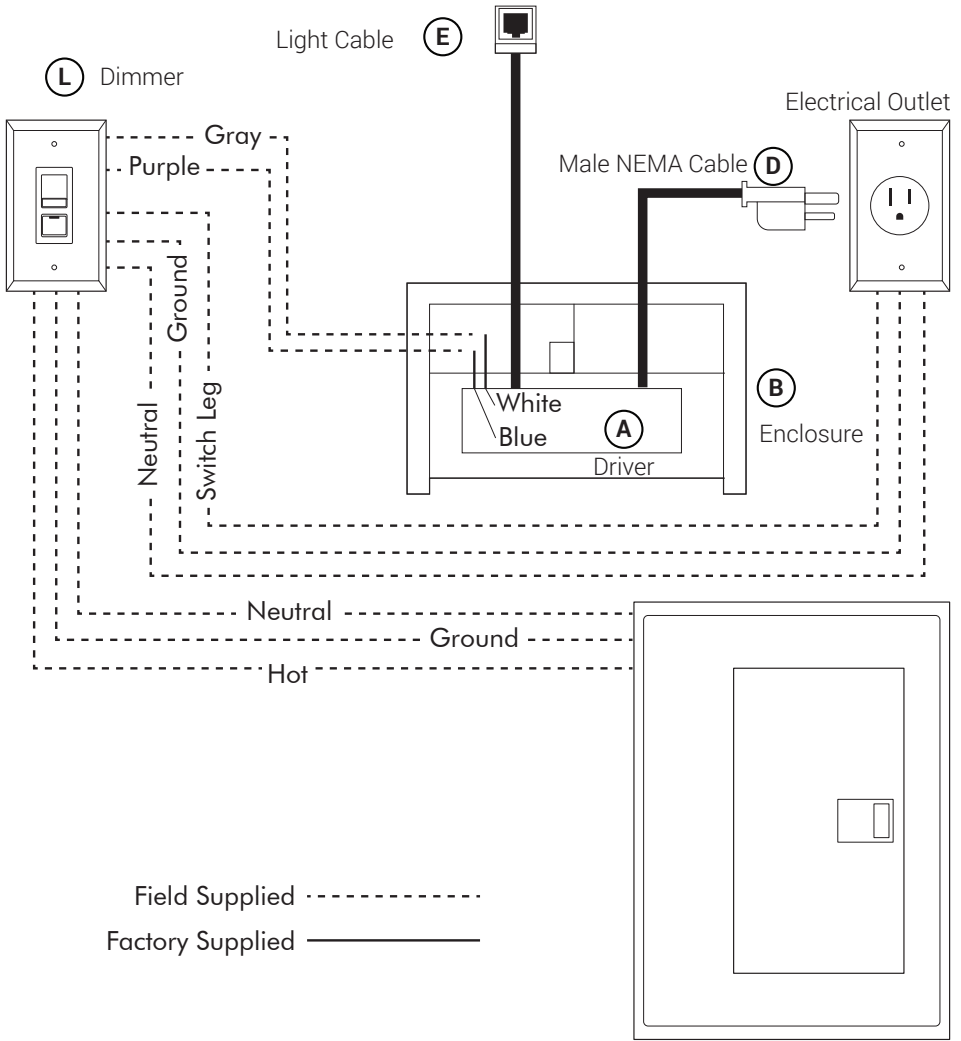
## Package Includes

Item	Quantity	Description
D	1	Male NEMA Cable
E	1	Light Cable
F	1	Cat6 Cable, 1'
G	1*	Cat6 Cable, 25'
H	1	Output Box

Item	Quantity	Description
I	1*	Mounting Template
J	1*	Brilliance Light Fixture
K	1*	Wire Fit Cap
	1	Silicone Sealant, 1 ounce
L	1	Dimmer

**NOTE:** Quantity with an \* increases by one per each additional light purchased. Quantities shown assume no additional lights purchased with Spectrum 440D system.

## Electrical Diagram



**NOTE:** Neutral from Electrical Panel not needed for Dimmer, but passes through to Electrical Outlet.

## Electrical Detail

### 1) Electricla Panel to Dimmer (L)

a) The Dimmer (F) will make use of a 120VAC, 15 Amp branch circuit. The Dimmer (L) should be place where most convenient for operation. The Dimmer (L) must be installed outside the Steam Room. Never place a switch where it can be reached from a tub or shower.

b)           ELECTRICAL PANEL -----> DIMMER (L)  
          Ground                            Ground  
          Neutral                           (passes through to Outlet)  
          Hot                                Black

### 2) Dimmer (L) to Electrical Outlet

a)           DIMMER (L) -----> ELECTRICAL OUTLET  
          Ground                            Ground  
          (Neutral from Panel)   Neutral  
          Red                                Hot

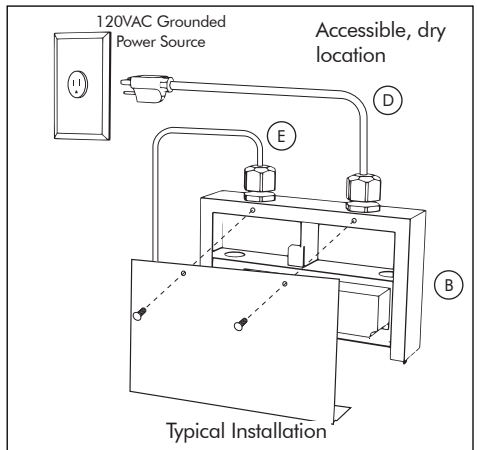
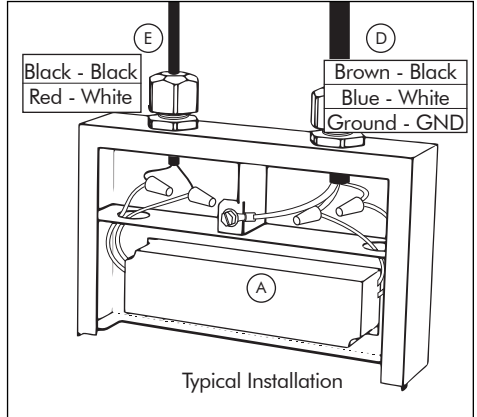
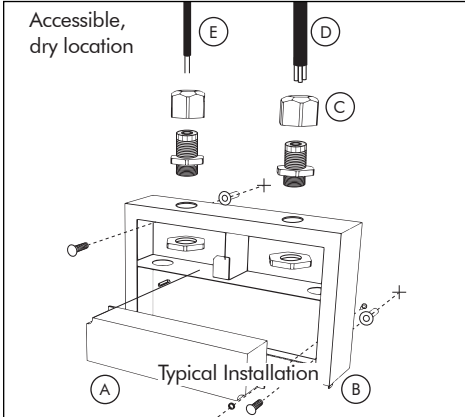
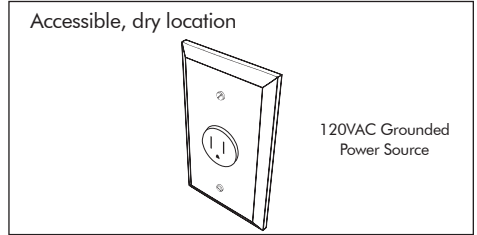
### 3) Driver (A) to Dimmer (L)

a)           DRIVER (A) -----> DIMMER (L)  
          Blue                             Purple  
          White                            Gray

## Installation (Continued)

**IMPORTANT: DO NOT HOT SWAP ANY ELECTRICAL COMPONENTS.** This will void the warranty, and likely cause the product to fail.

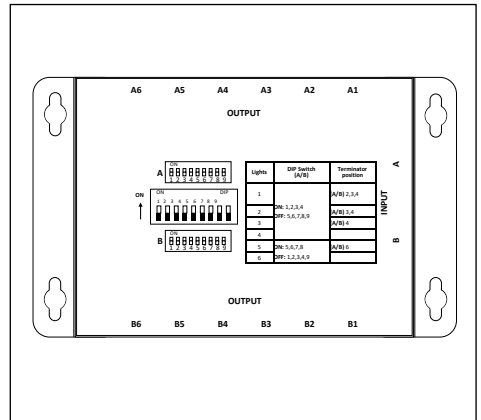
1. Install a standard single gang electrical box in an accessible, dry location.
2. Run a grounded 120VAC from the power supply to the accessible, dry location's electrical box.
3. Secure enclosure (B) to wall in an accessible, dry location using provided screws / anchors.



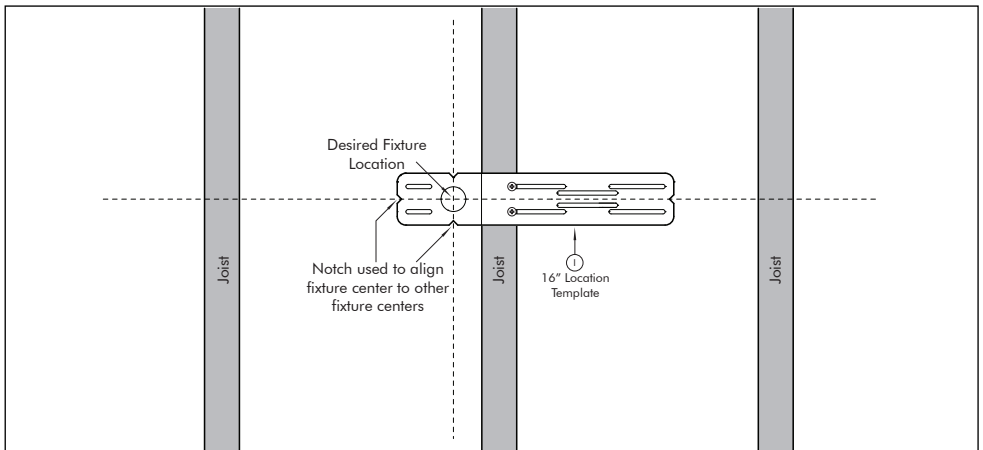
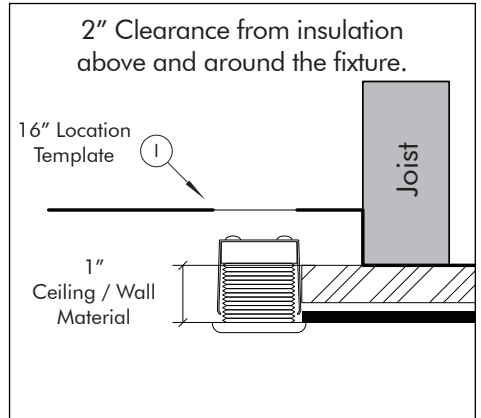


## Installation (Continued)

- Determine number of lights per input. Limit 6 lights per input.
- Determine desired brilliance light fixture (J) location. Note: Fixture should be placed to avoid direct contact with the bather's eyes. Allow for 2" clearance from insulation above and around the fixture.

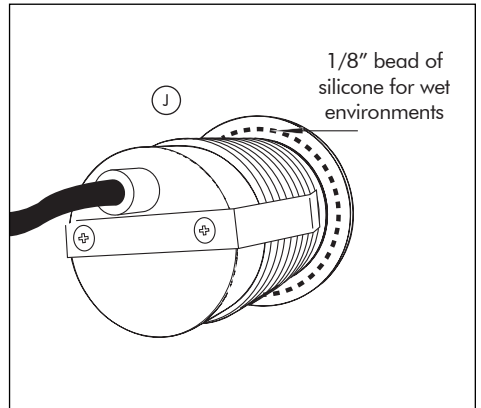
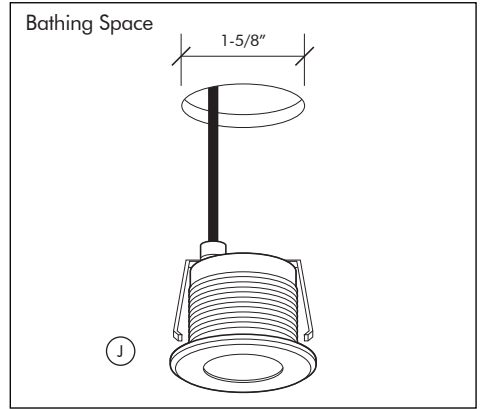


- Optional: Mount 16" location template (I) to ceiling / wall framework. Use notches to quickly align desired location to other fixtures in the room.



## Installation (Continued)

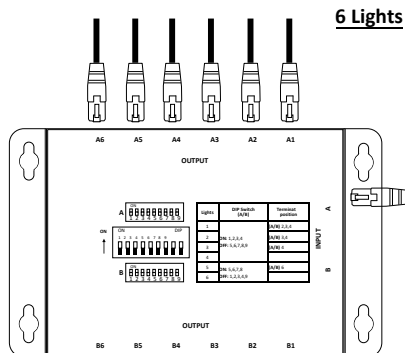
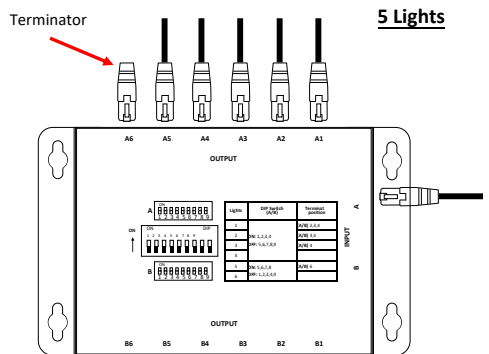
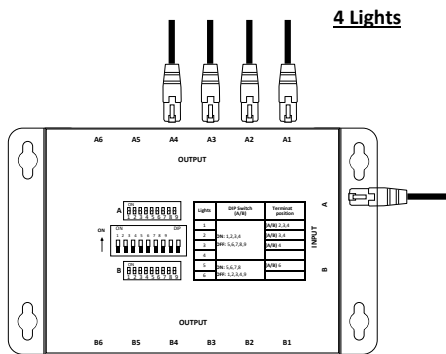
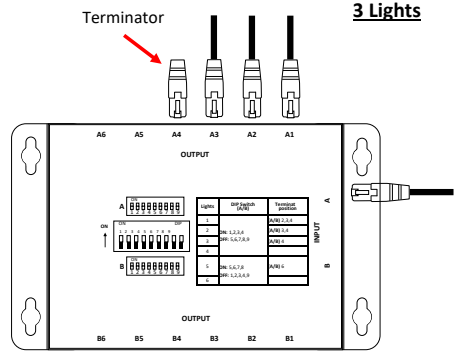
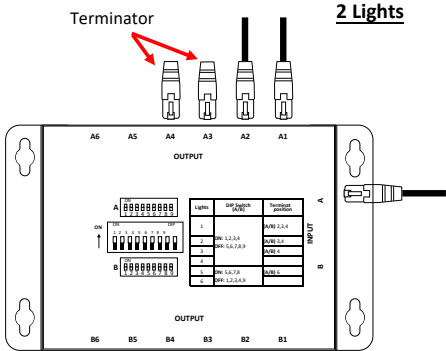
7. Make a 1-5/8" hole in desired location.
8. For Wet environments, apply a 1/8" bead of silicone around the edge of the light as required to form a water tight seal.
9. Mount brilliance light fixture (J) to ceiling through 1-5/8" cut-out. Allow for 2" clearance from insulation above and around the fixture.
10. Repeat steps 6 - 9 for each light.
11. Allow silicone to cure for 24 hours before exposing product to any source of moisture.



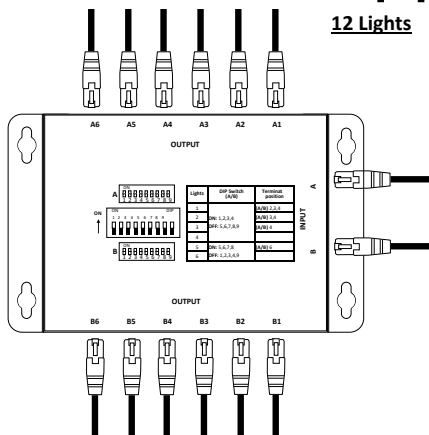
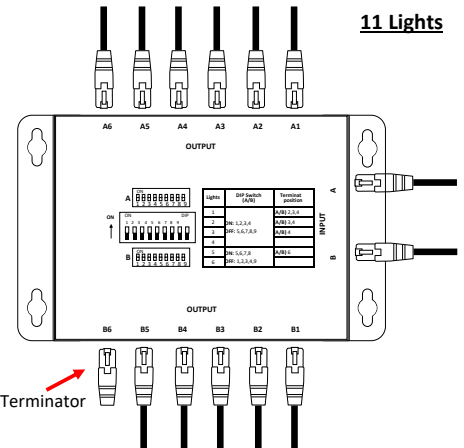
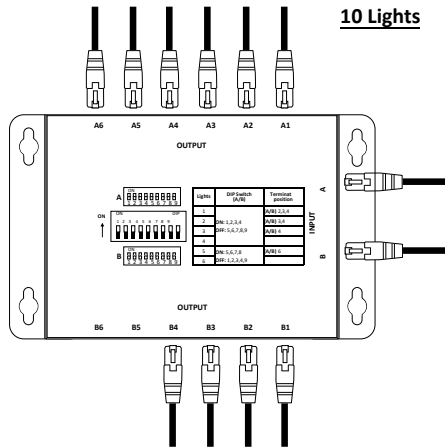
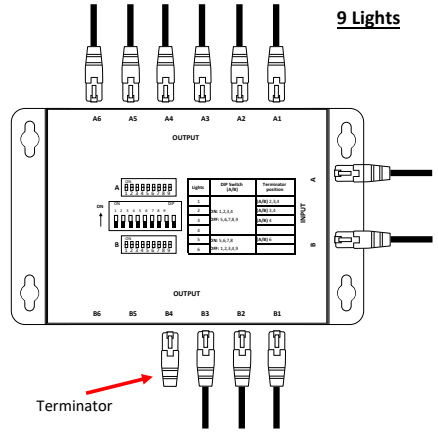
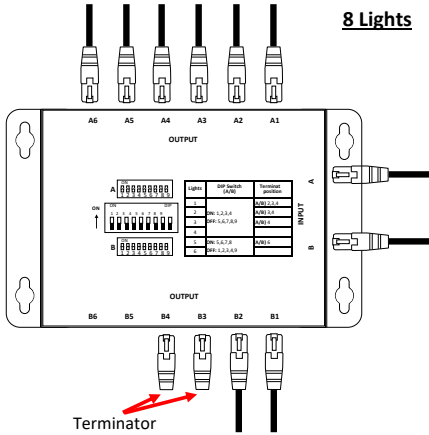
## Product Care

For routine cleaning, simply use a soft damp cloth and common household soap. Use a damp cloth to wipe clean, then dry. Clean product frequently to avoid calcium deposits on surfaces. Use only mild soap. **Never use abrasive cleaners, bleach, disinfectants or cleaning products containing alcohol, ammonia, hydrochloric or phosphoric acids** as they may damage the product's finish. To clean electrical components, gently wipe down using a dry cloth or duster. **Never use a wet duster, water, or any other liquid to clean the device.**

# Spectrum 440D



# BATHOLOGY



## Specifications

### Driver

**Operating Voltage:** 120 VAC Output

**Voltage:** 700mA

**Power Consumption:** 35W Nominal

**Amperage:** 1.1 Amps Dimensions:

5-7/8" W x 1-1/8" H x 1-5/8" D

### Brilliance Fixture

**Type:** LED Cool White (5650-6300K)

**Operating Voltage:** 12VDC

**Maximum Input Current:** 700mA

**LED:** 1 x 3 Watt

**Beam Angle:** 35°Clear/120°Frosted

**Trim Finish:** Polished Stainless Steel

**Housing Composition:** Stainless Steel

**Lens:** Clear or Frosted, 1-7/32" Diameter

**Lens Composition:** Tempered Glass

**Rough-in Cutout:** 1-5/8" to 1-11/16"

**Trim Dimension:** 2-3/64" Diameter, 1/8" Profile

**Body Dimensions:** 1-15/32" Diameter x 1-7/8" Deep

**Rating:** IP68

**Certifications:** CE / RoHS / WEEE

**Max Operating Temperature:** 130°F when installed per instructions

### Enclosure

**Housing Composition:** Steel, black powder coated finish

**Dimensions:** 7-3/4" W x 1-7/8" H x 4-7/8" D

**Standards:** NEMA 1

**Listing:** ETL, UL

### Construction Template

**Composition:** Steel, Galvanized, Gauge 22

**Dimensions:** 15-1/8" L x 1/32" H x 3" D

### Dimmer

**Type:** 0-10V









# BATHOLOGY

rediscover bathing

[www.Bathology.com](http://www.Bathology.com) 800-957-2862

A division of Bathing Brands, Inc.