

BATHOLOGY

rediscover bathing



Pure 420

Steam Bath Generator
Water Conditioning System

Installation and Operation Manual

Bathology Pure 420 Steam Bath Generator Water Conditioning System preserves steam bath generator warranties, extends equipment life and enhances the steambathing experience. Utilizing one (1) technology packed Pure 401 three-stage blending cartridge Pure 420 provides the optimal water characteristics for steambathing and steam bath generator equipment.

Specifications

Capacity: Variable, depending on water quality

Maximum Flow Rate: 0.5 GPM (1.9 LPM)

Working Pressure: 10 - 125 PSI (0.7 - 8.6 bar)

Operating Temperature: 35 - 100°F (2 - 38°C)

Dimensions: 7-1/4" H x 5-1/4" L x 8-1/4" W

Inlet Connections: 3/8" FNPT

Outlet Connections: 3/8" FNPT

Drain Tube: 3/8" OD x 12', polyethylene, red

Package Includes

- (1) Cartridge head, single
- (1) Drain tube, polyethylene, 3/8" OD x 12'
- Installation and operation manual

Installation Considerations

- Give consideration to the weight of the unit when operating (filled with water). Operating weights of the Pure 420 Steam Bath Generator Water Conditioner is 9lbs (4.0kg).
- Pure 420 requires a 30" high, 6" wide, and 6" deep installation area on the steam bath generator cold water supply line.

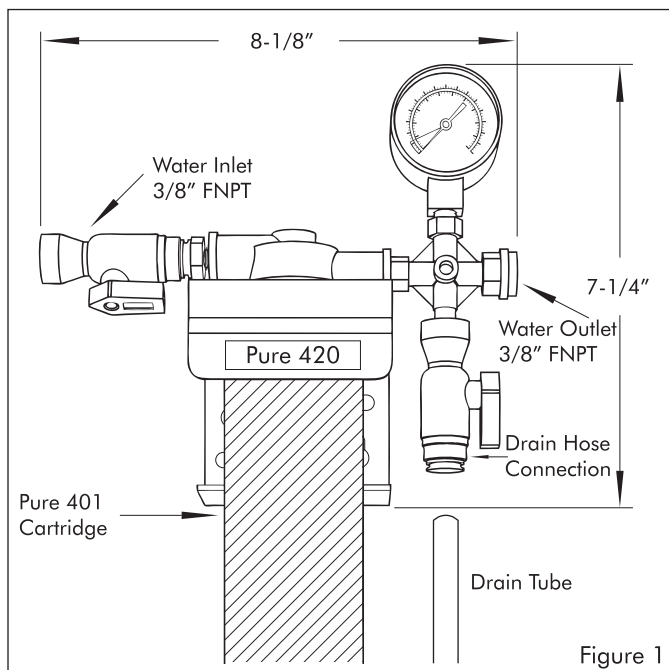


Figure 1

Installation Considerations (Continued)

- Allow a minimum clearance of 2-1/2" under the cartridge so it can be lowered for removal and replacement.
- Provide adequate space for "in" and "out" water line connections.
- Pure 420 must be installed vertically so the cartridge hangs down.
- Some municipal plumbing codes require an air gap at the drain termination point.

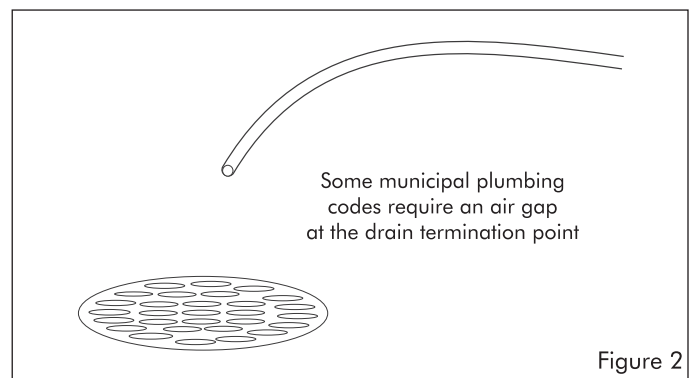


Figure 2

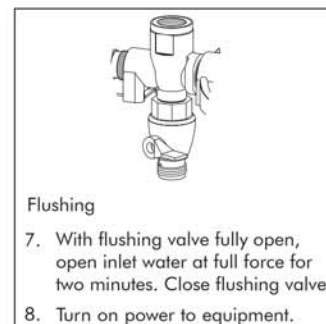
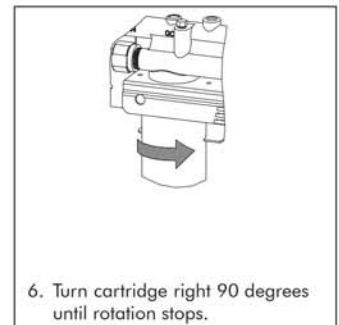
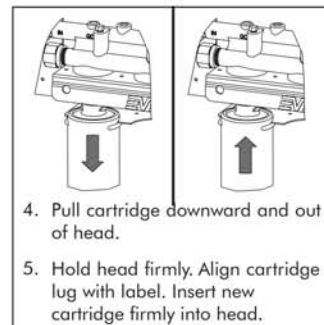
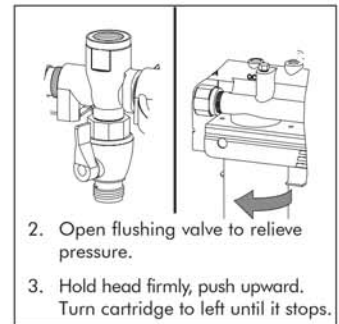
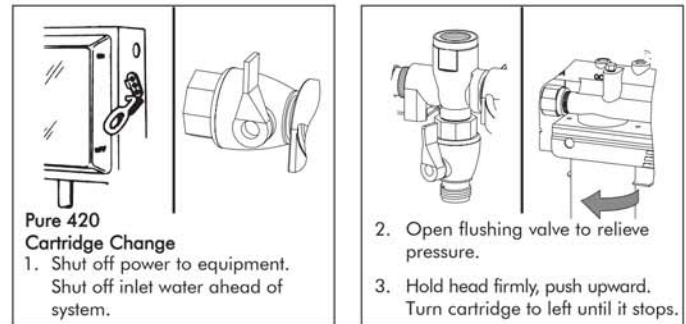
Installation

1. Use predrilled mounting holes in the manifold bracket as guides. Mark and drill anchor holes. Mount Securely (see Figure 1).
2. Shut off power to the steam bath generator system.
3. Connect outlet port of unit to equipment served. Always use thread sealant or Teflon tape at all connections. Use a backup wrench on all fittings while making connections to avoid excessive stress on the system components.
4. Connect minimum 3/8" water line to inlet side of Pure 420 system.

Installation (Continued)

5. The cross fitting has a flushing valve installed on the bottom. Connect 3/8" OD x 12' polyethylene drain tubing to flushing valve and run to drain or acceptable discharge resevoir.
Note: Some municipal plumbing codes require an air gap at the drain termination point.
6. Install cartridges into the unit heads following the cartridge change illustrations.
7. Turn on water to Pure 420 system and check for leaks.
8. Flush the cartridge by running water through drain at full force for two minutes. This will set the filtering media and purge air and fine carbon particles, insuring maximum cartridge life.

Cartridge Change



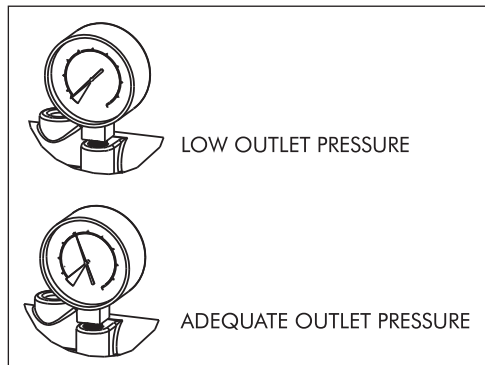
Important - Flushing

For maximum life, cartridges must be flushed for two minutes at full flow before use. All new cartridges must be flushed after each cartridge change before being put into service.

If the cartridges are new, have been properly flushed, and both needle and follower register inadequate pressure, you may be experiencing inadequate water pressure or some restriction may exist in the inlet water line. In either case, the incoming water pressure must be improved to receive optimum filter life.

Cartridge Change Determination

The Pure 420 Pressure Gauge provides a quick and simple means of determining when the filter cartridge should be changed. Installed on the outlet port of the conditioning system, the gauge can be used to measure both dynamic (flowing) and static (line) pressure. The cartridge should be changed when the pressure gauge needle is in the red area while the steam bath generator is taking on water, and yet the needle shows adequate line pressure between water cycles. It is best to observe two water cycles to confirm observations.



Replacement Parts

Contact your Bathology representative for Pure 401 Steam Bath Generator Water Conditioning Cartridges or Pure 420 system replacement parts.

Description

Inlet/flushing valve
Outlet cross fitting
Outlet pressure gauge

Part Number

Pure002
Pure003
Pure009