



Universal Sauna Light Kit



16-FT Flexible LED Strip



Installation and Operation Manual

Compatible with Most Sauna Heater Controls & On/Off Switches

SKU - 128151
REV: 1.0_8/2024

SAFETY & WARNINGS



PLEASE READ THIS MANUAL IN ITS ENTIRETY PRIOR TO INSTALLATION!

- **Qualified Personnel Only:** Installation of this system must be performed by a certified electrician, following all national electric code and local building code requirements.
- **Equipment Protection:** The power supply must be installed in a location that is completely protected from moisture, rain, and inclement weather.
- **Temperature Considerations:** Please refer to the specifications on page 4 to determine the maximum temperature rating of each component. **Do not** install any components in areas that exceed their maximum temperature limits, as this will lead to product failure and void the warranty.
- **Heater Clearance:** Maintain a safe distance between your Flexible LED light and the sauna heater. Avoid directly installing the lights above the heater or within 20 inches of its sides.
- **Light Placement:** Carefully consider the placement of your LED lights to avoid shining directly into eyes. A diffused or indirect lighting approach is recommended.
- **Handling Precautions:**
 - **Uncoil Before Powering:** Do not connect power to the LED light while it is still attached to the spool or coiled up. Unwind the light completely before powering it on.
 - **Avoid Damage:** Refrain from folding or twisting the LED light, as this can cause physical damage to the LEDs and lead to malfunctions, refer to page 5 for LED Handling.

Electrical Requirements

Always disconnect power from the system at the circuit breaker before performing any electrical installation or maintenance.



- **Power Source:** The lighting system requires a 120VAC power source.
- **Qualified Electrician:** A certified electrician should determine the appropriate electrical outlet type, box configuration, and necessary wiring to ensure compatibility and safety.
- **Electrical Safety:** Utilizing improper voltage or making incorrect electrical connections can damage system components and void the warranty.

PACKAGE CONTENTS



Note: Replacement part numbers listed above each part

16FT Flexible LED Neon
BP031173
(qty. 1)



Power Supply
BP031137
(qty. 1)



AC Power Cord
BP031132
(qty. 1)



Mounting Clip + Screw
BP031165
(qty. 17 each)



30FT Light Cable
BP031081
(qty. 1)



End Cap
BP031106
(qty. 1)



Silicone
BOSS-31560
(qty. 1)

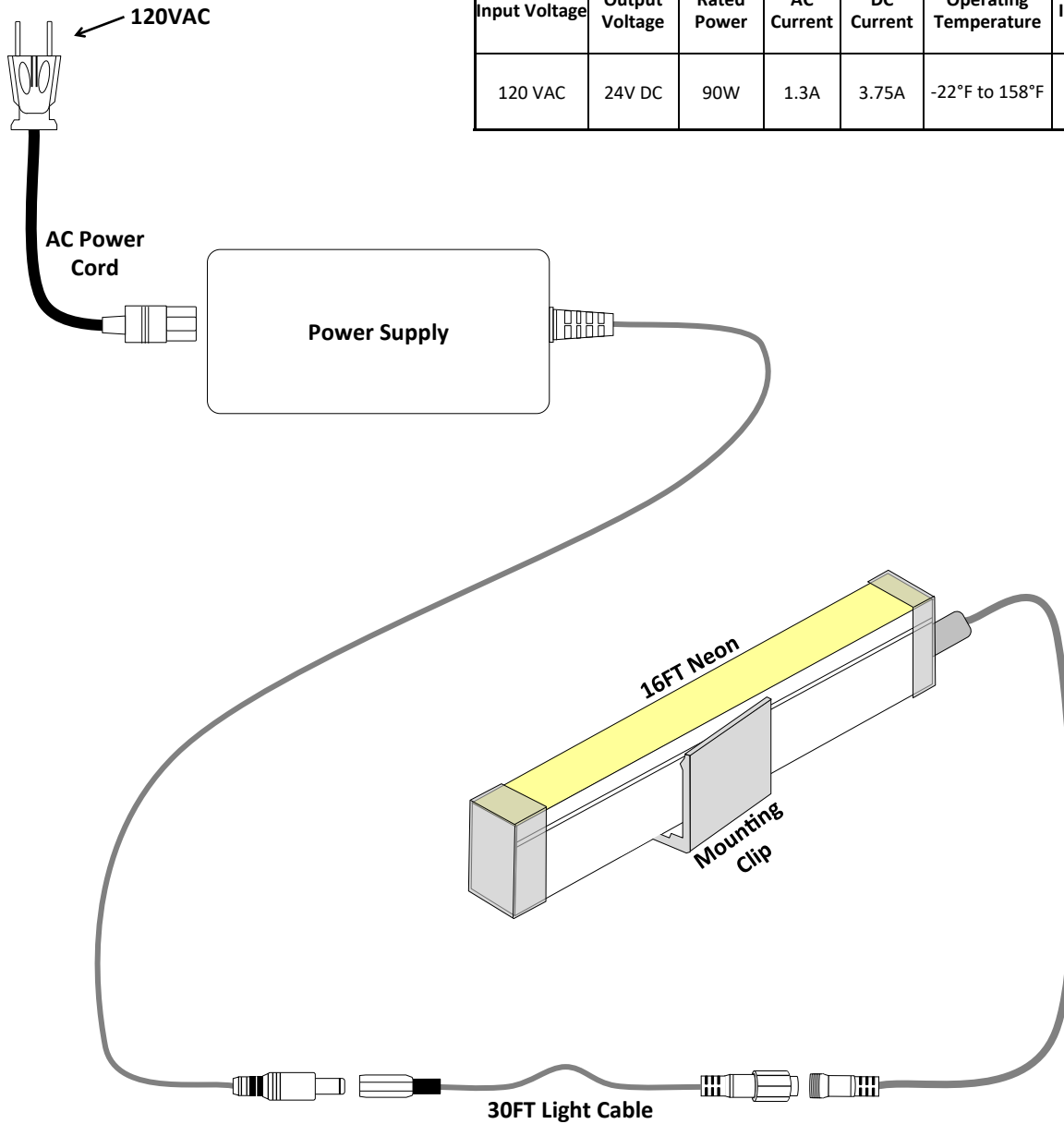


SPECIFICATIONS



Flexible LED Neon							
Length	Operating Voltage (VDC)	Wattage	Lumens	Kelvin Temperature	Operating Temperature	IP Rating	Certification
16FT	24V DC	48W	1,584	3500K	-13°F to 200°F	IP67	ETL / SGS

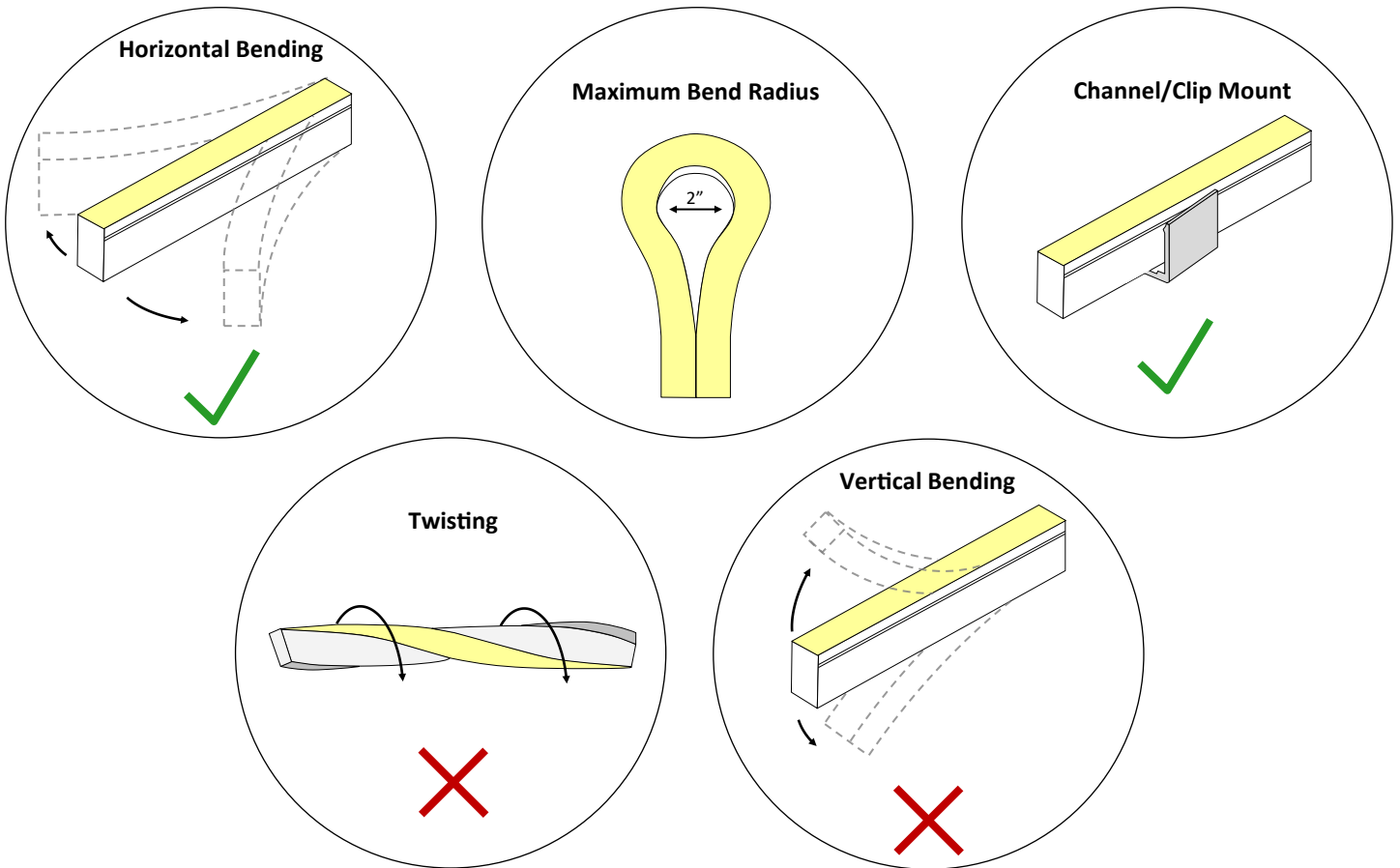
Power Supply							
Input Voltage	Output Voltage	Rated Power	AC Current	DC Current	Operating Temperature	IP Rating	Certification
120 VAC	24V DC	90W	1.3A	3.75A	-22°F to 158°F	IP20	UL / CE / FCC



LED HANDLING



HANDLE LED LIGHT WITH CARE!

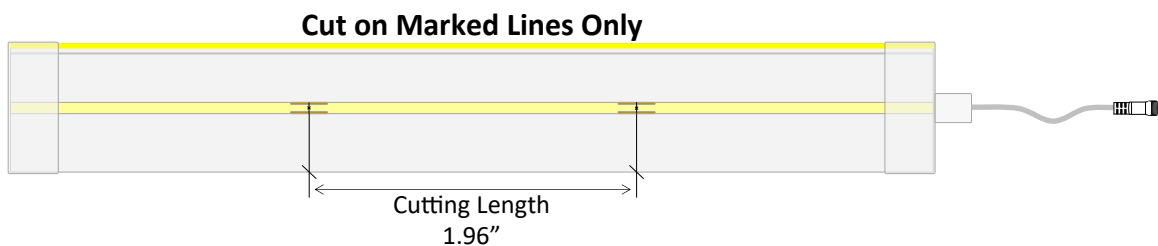


Cutting Flexible LED Neon

- Determine the length of LED needed for the installation location
- Using sharp cutters or scissors cut at closest cut point to the length needed, see diagram below.

Note: Cut only on marked lines.

- After cutting to length apply silicone to cut end and install end cap.



INSTALLATION

STEP 1. Identify LED Install Location

Identify location where LED light will be installed.

Common installation spots are,

- Backrest shining up or down
- Under bench
- Sauna Floor
- Exterior Sauna

STEP 2. LED Mounting Clips

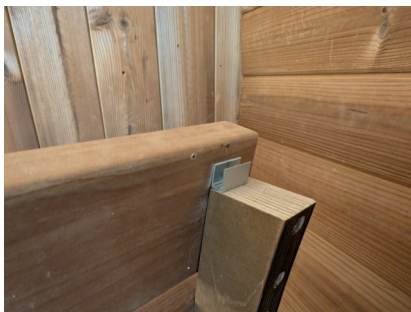
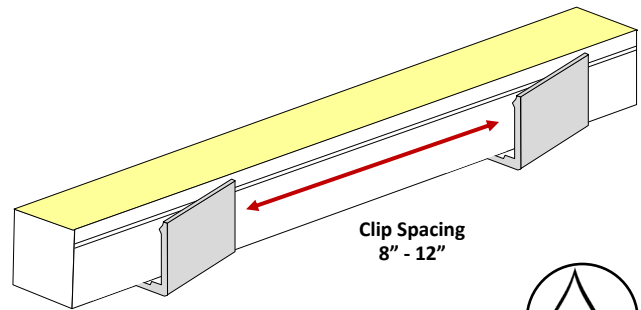
- Grab Mounting Clips and screws. Clips are provided with 1 screw each.
- If using your own screw you will need a minimum size #4 x 5/8" screw to mount clips.
- It is recommended that clips be mounted every 8" to 12" to support LED light.
- Take LED and gently press light into each clip.
- Follow connection diagram on page 4 for LED wire connections.

Note: Images below show examples of clip installation. To remove LED from clip gently pull up on LED at each clip to release, avoid bending LED as this will damage the light.

Important:

- LED Light should not be installed above or within 20" of sauna heater.
- "Always check temperature at install location of LED light and ensure it does not exceed maximum operating temp."

Note: It is recommended to run sauna without LED light installed and check temperature at intended install location to get an accurate temperature.



INSTALLATION



STEP 3. Power Supply Connection

Determine how power supply will be powered, this can be from a standard 120VAC receptacle or wired into your Sauna equipment power module, see images below for wiring.

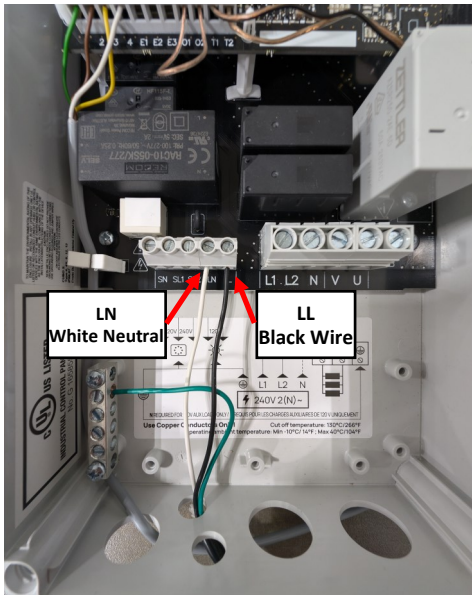
Important

Images below are shown as a reference. It is important to verify heater manufacturers installation steps for connecting lighting.

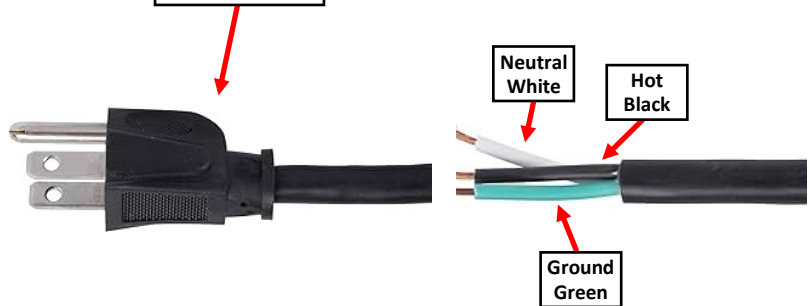
120VAC Receptacle
(wired to on/off switch)



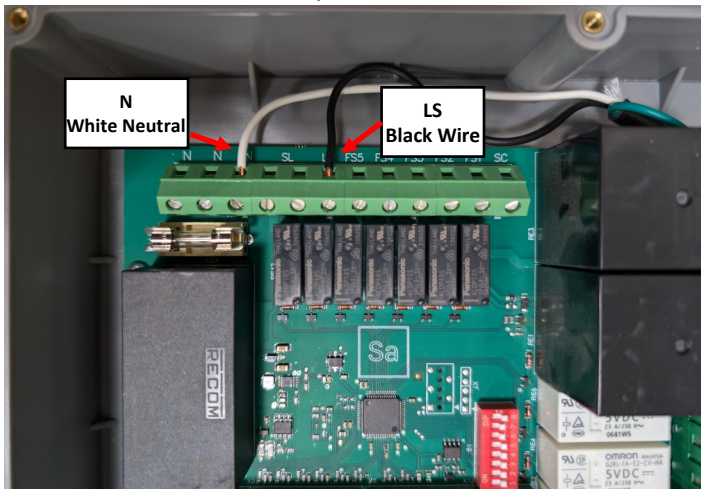
Huum
Main Module



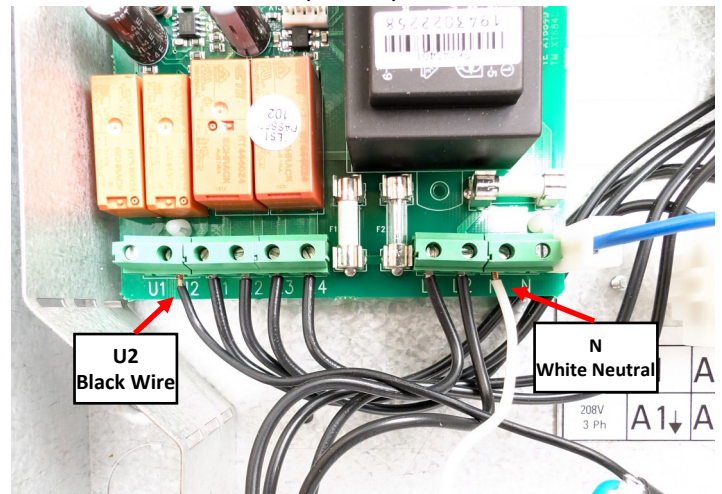
Cut and Remove plug end to wire directly to sauna power module.



Saunum
Air IQ Power Unit



Harvia
CX30 / CX45 / CX170





Technical Support
(224) 253-5909

© 2024 Bathing Brands, Inc.

SKU - 128151
REV: 1.0_8/2024